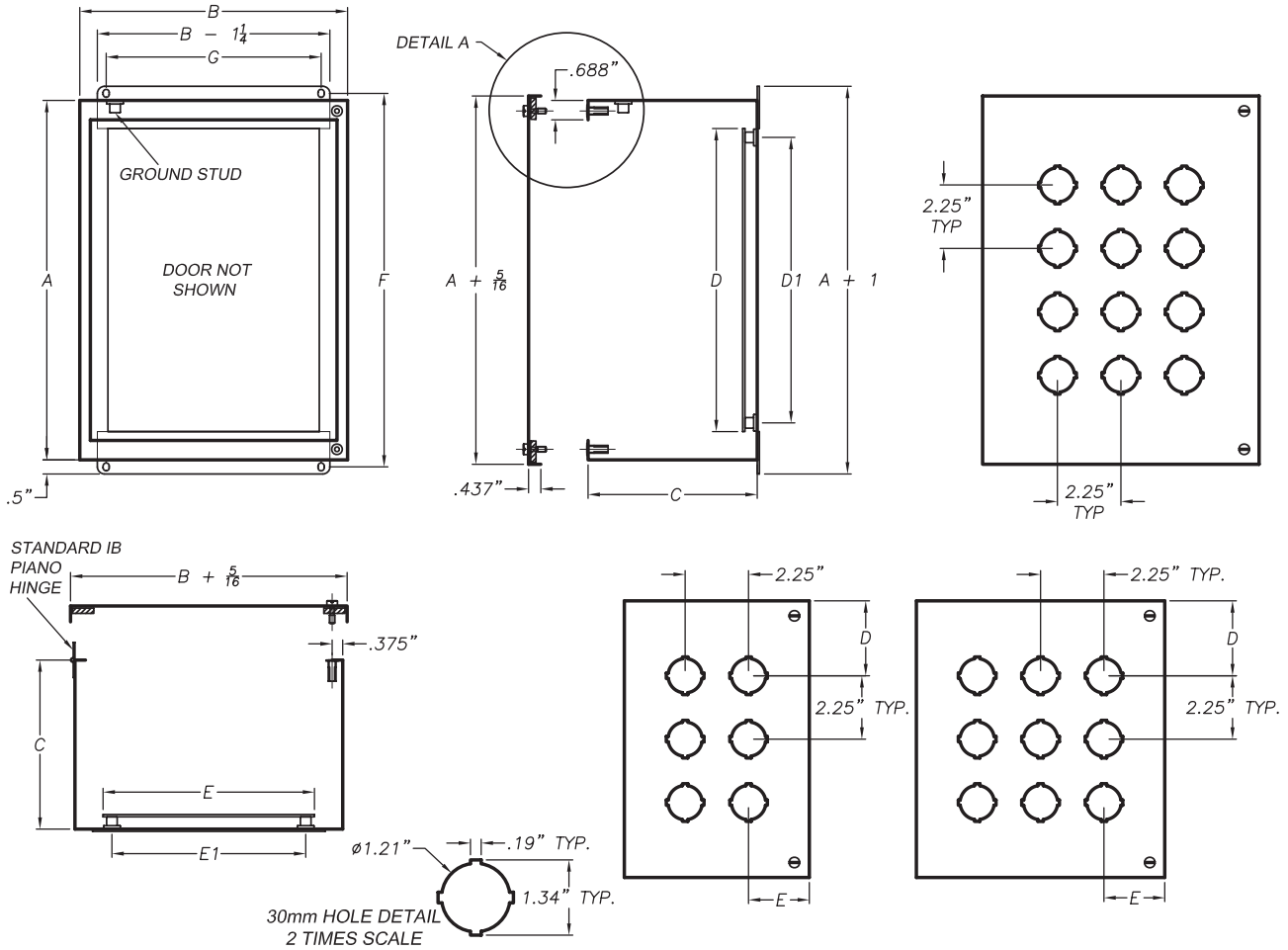




PB89 Series, NEMA/EEMAC Type 12 30mm Push Button Hinged Cover



PART #	Enclosure Size			Panel Size and Hole Centers				Mounting Centers	
	A	B	C	D	D1	E	E1	F	G
PB89-6	10.5	7.25	6	8.5	7.875	5.25	4.625	11	5.375
PB89-9	10.5	9.5	6	8.5	7.875	7.5	6.875	11	7.625
PB89-12	12.75	9.5	6	10.75	10.125	7.5	6.875	13.25	7.625