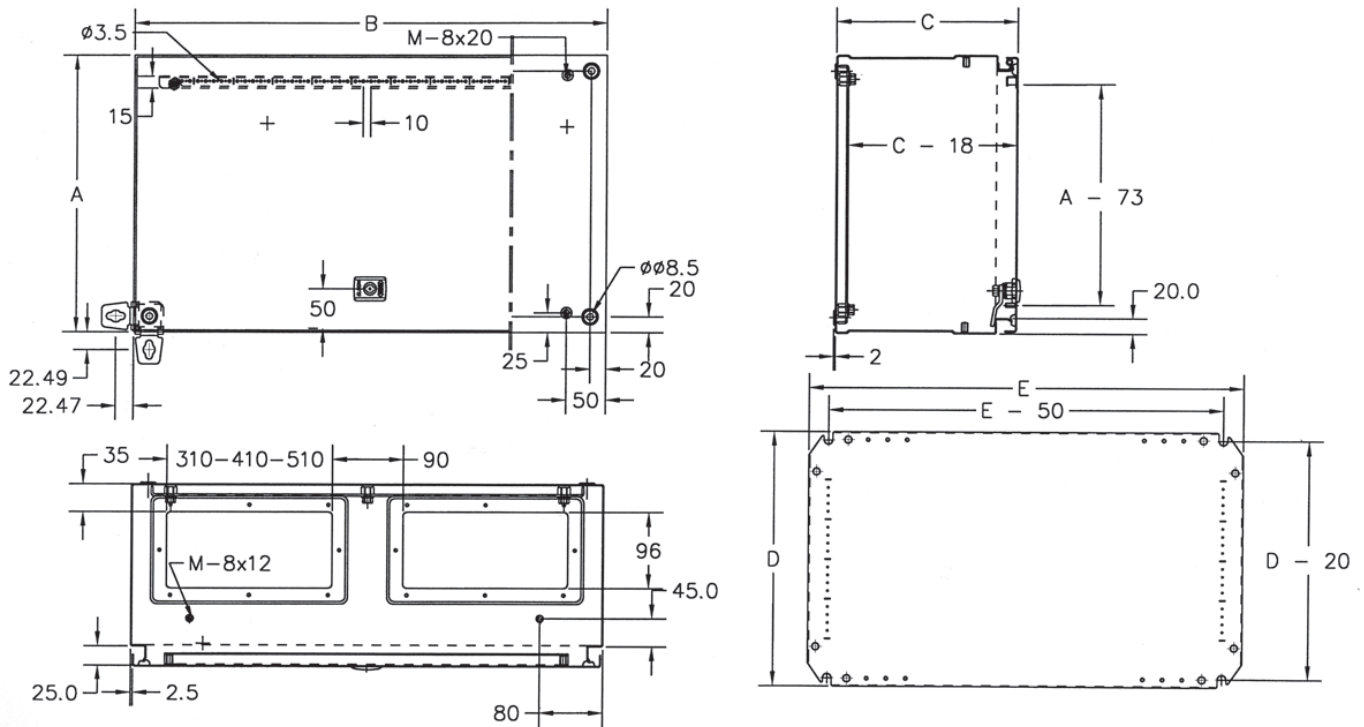




**NEMA/EEMAC Type 4, 12**  
**Water and Dust Tight Enclosure**  
**MAP SERIES**



Part No.		Enclosure Size			Panel Size		Gland Type	Gland Openings
		A	B	C	D	E		
MAP-0306030-R5	mm	300	600	300	270	550	4	2
	in	11.8	23.6	11.8	10.6	21.7		
MAP-0308030-R5	mm	300	800	300	270	750	2	4
	in	11.8	31.5	11.8	10.6	29.5		
MAP-0310030-R5	mm	300	1000	300	270	950	3	4
	in	11.8	39.4	11.8	10.6	37.4		
MAP-0312030-R5	mm	300	1200	300	270	1150	4	4
	in	11.8	47.2	11.8	10.6	45.3		