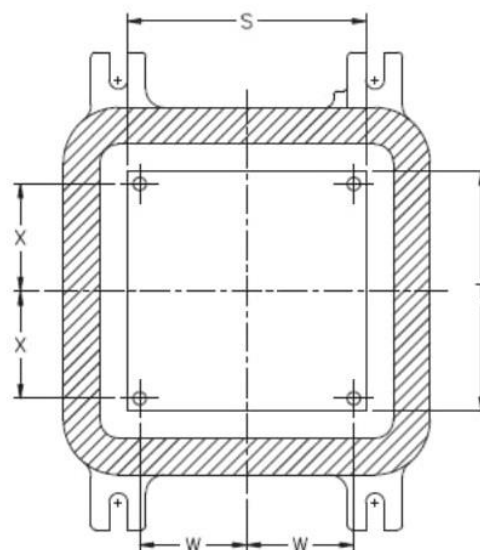
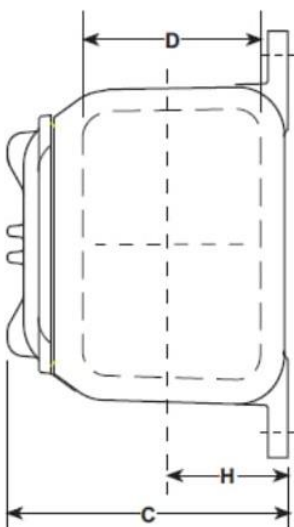
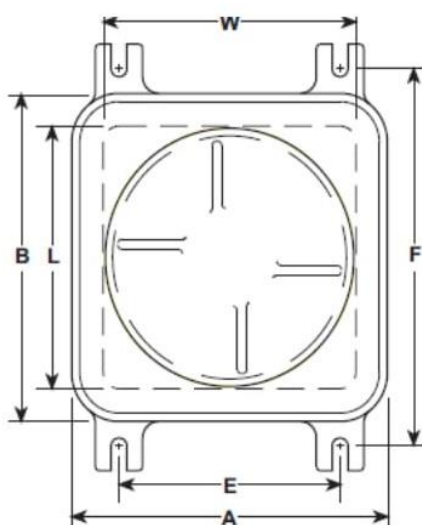




Explosion Proof Threaded Cover Metering Control Station



Solid Cover Part No.	Glass Cover Part No.	Inside Dimensions			Throat	Viewing Glass Area (For XJCTG)	Outside Dimensions			Mounting	
		L	W	D			A	B	C	E	F
# XJCTS0*	# XJCTG0*	3-3/4	3-3/4	2-11/16	4	2-3/4	4-3/4	4-3/4	5-1/2	3-3/4	5-5/8
# XJCTS1	# XJCTG1	5	5	3-1/8	4-3/4	3	6	6	6	4	7
# XJCTS2	# XJCTG2	6	6	4-1/8	5-3/4	4	7-1/4	7-1/4	7	5	8-1/2
# XJCTS3	# XJCTG3	6	6-1/2	4-1/2	5-3/4	4	7-3/4	7-1/4	7-3/8	6	8-3/4
# XJCTS4	# XJCTG4	7	7	6-1/8	5-3/4	4	8-1/4	8-1/4	9	5-1/2	9-1/2
XJCTS5	XJCTG5	8	8	4-1/8	7-1/8	5-1/4	9-1/2	9-1/2	7-3/8	7	11-1/2
XJCTS6	XJCTG6	8	8	6-1/8	7-1/8	5-1/4	9-1/2	9-1/2	9-3/8	7	11-1/2
XJCTS7	XJCTG7	10	8	6-1/8	7-1/8	5-1/4	9-1/2	11-3/4	9-3/8	6-3/4	13-1/2
XJCTS8	XJCTG8	10	10	6-1/8	9-1/8	6-3/4	11-3/4	11-3/4	9-3/4	8-1/2	13-1/2
XJCTS9	XJCTG9	10	10	8-1/8	9-1/8	6-3/4	11-3/4	11-3/4	11-3/4	8-1/2	13-1/2
XJCTS10	XJCTG10	11	12	7-1/2	10-1/8	7-5/8	13-3/4	12-3/4	11-3/4	10-3/4	14-1/2
XJCTS11	XJCTG11	12	12	6-1/8	9-1/8	6-3/4	13-3/4	13-3/4	9-3/4	10-1/2	15-1/2
# XJCTS12	# XJCTG12	5-1/2	6	4-1/8	5-3/4	4	7	6-1/2	6-7/8	5-3/4	7-1/2
# XJCTS13	# XJCTG13	9	7	4-5/32	7-1/8	5-1/4	10-1/2	8-3/8	7-3/8	8-1/2	9-3/4

= Two diagonally positioned mounting feet are standard with enclosures XJATG0,1,2,3,4,12 & 14