

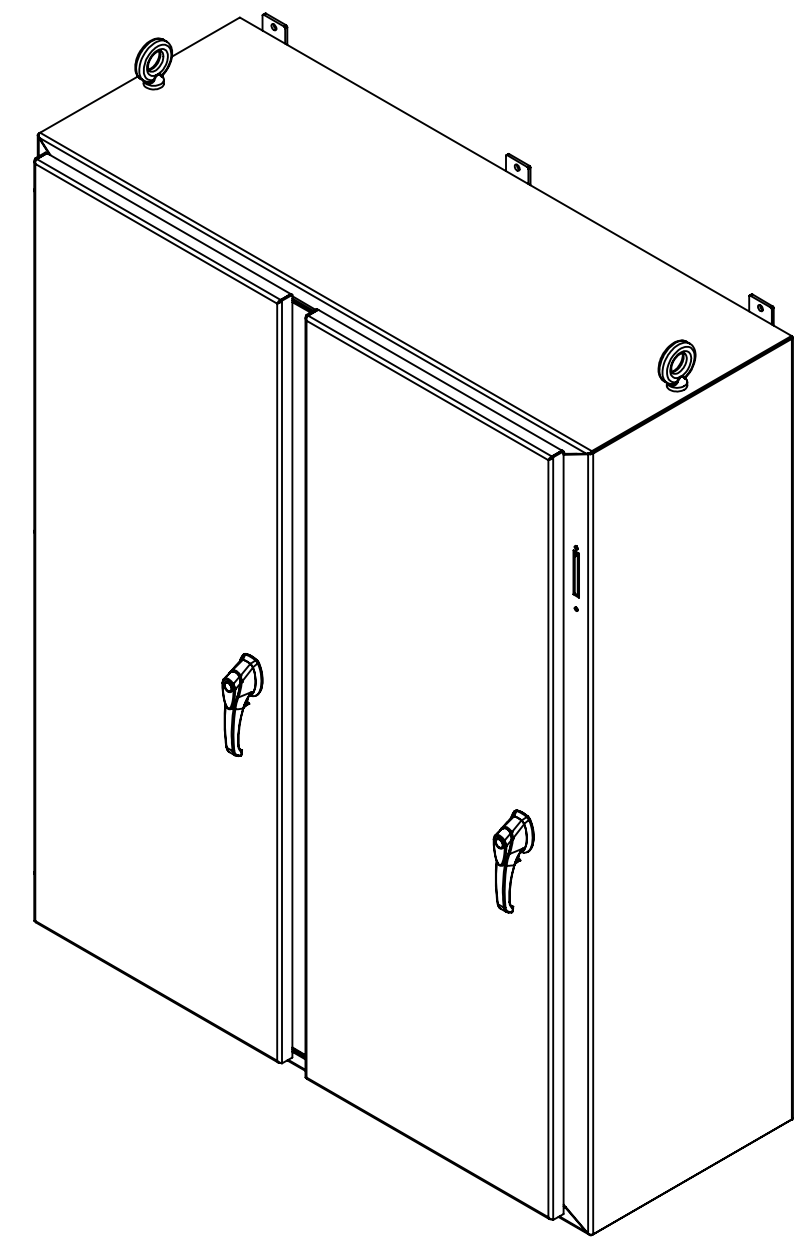
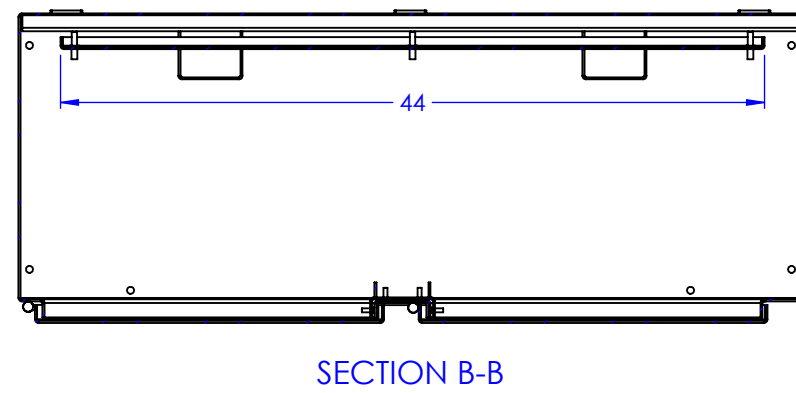
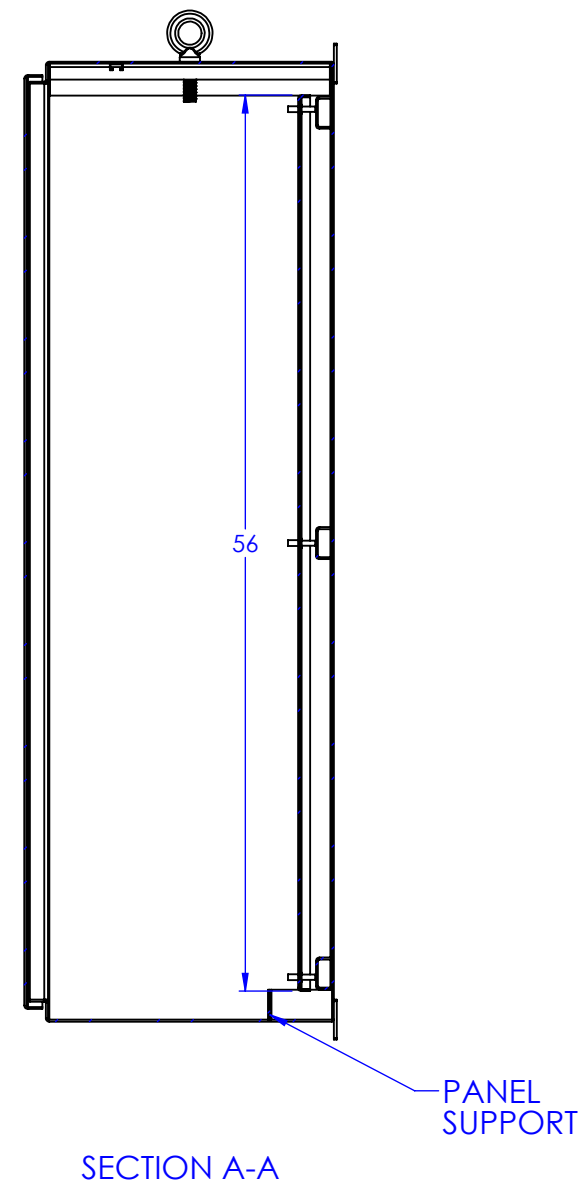
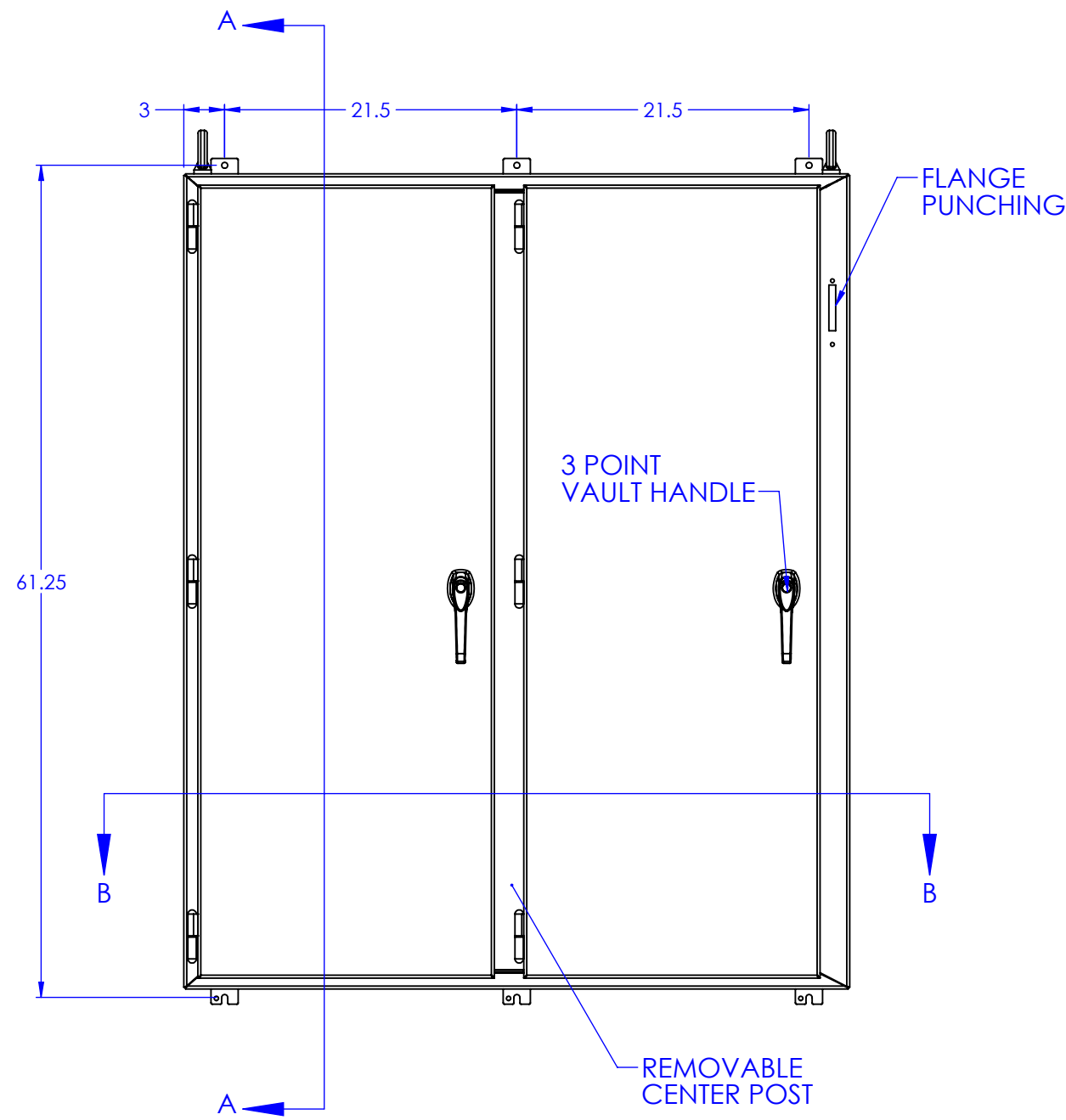
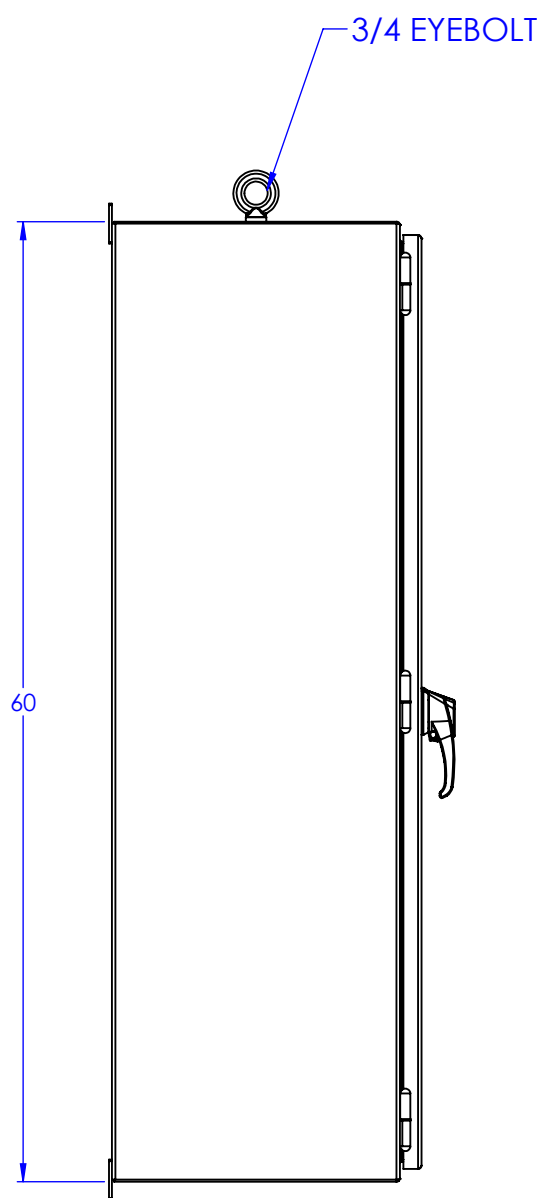
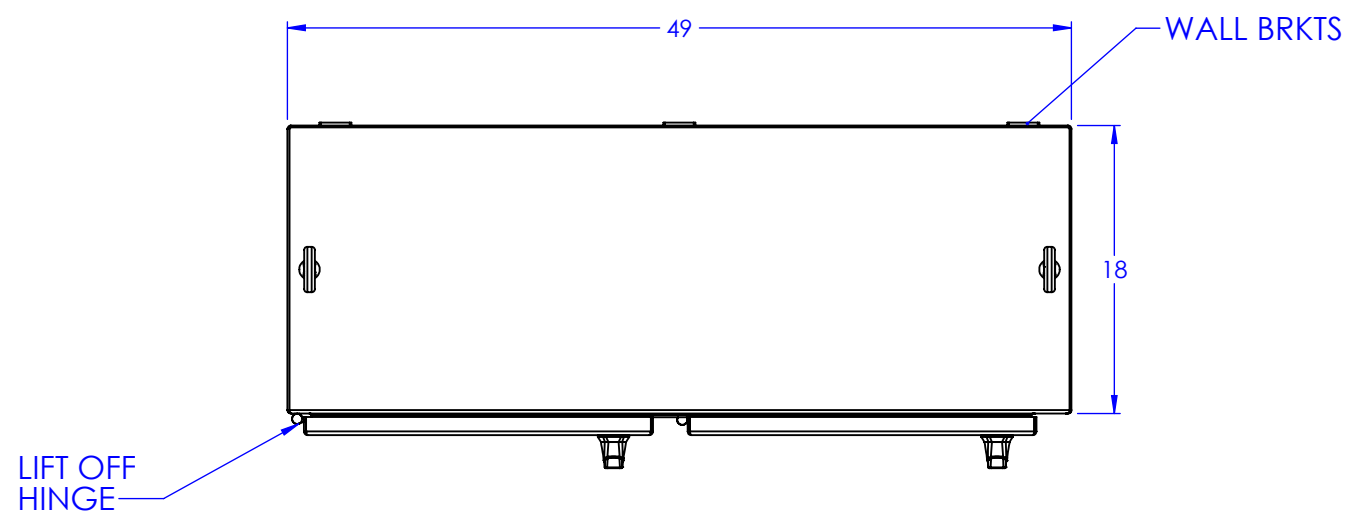
4

3

2

1

REVISIONS			
REV.	DESCRIPTION	DATE	APPROVED



PROPRIETARY AND CONFIDENTIAL
THE INFORMATION CONTAINED IN THIS DRAWING IS THE SOLE PROPERTY OF RALSTON METAL PRODUCTS. ANY REPRODUCTION IN PART OR AS A WHOLE WITHOUT THE WRITTEN PERMISSION OF RALSTON METAL PRODUCTS IS PROHIBITED.

UNLESS OTHERWISE SPECIFIED
DIMENSIONS ARE IN INCHES
TOLERANCES:
FRACTIONAL ± 1/32"
ANGULAR MATCH 1°
ONE PLACE DECIMAL ± 0.1"
TWO PLACE DECIMAL ± 0.01"
THREE PLACE DECIMAL ± 0.005"
MATERIAL:

NAME	DATE
DAVE BURNS	2023-02-09
ISSUED BY	2023-02-09
DAVE BURNS	
JOB ORDER NO:	

CUSTOMER DRAWING NO:
RALSTON STOCK
SHOP DRAWING NUMBER:

58 WATSON ROAD
QUELUP, ONTARIO N7L 1E2
PHONE: (519) 836-2968
TOLL FREE: 1-800-265-7611
FAX: (519) 836-9793
www.RALSTONMETAL.COM

SIZE PART NAME: REV.
C 2000-FM-604918 -

SEE BOM
FINISH:
SEE BOM

DO NOT SCALE DRAWING

THIRD ANGLE PROJECTION

SCALE: 1:12 WEIGHT: 502.449 SHEET 1 OF 1