

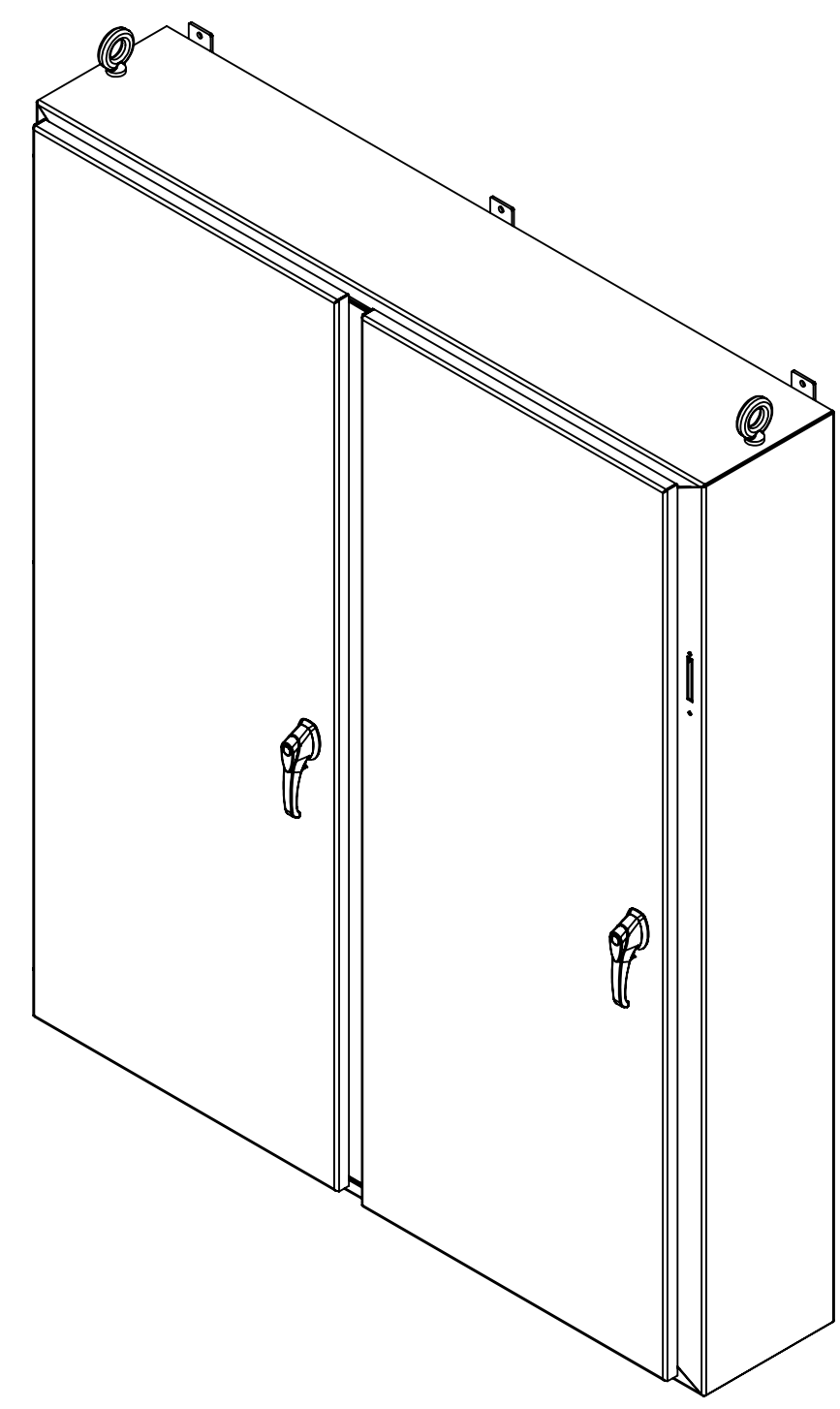
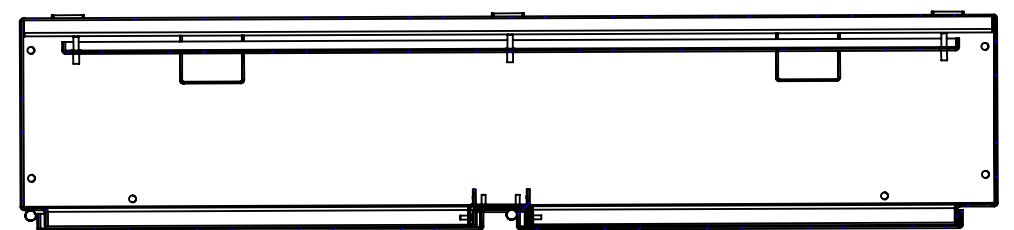
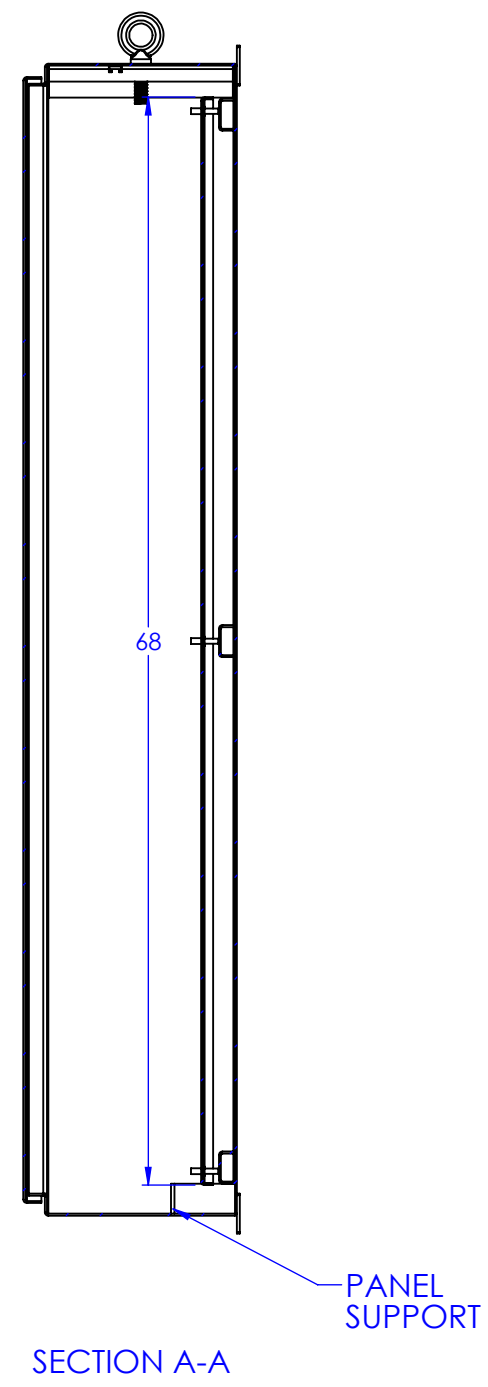
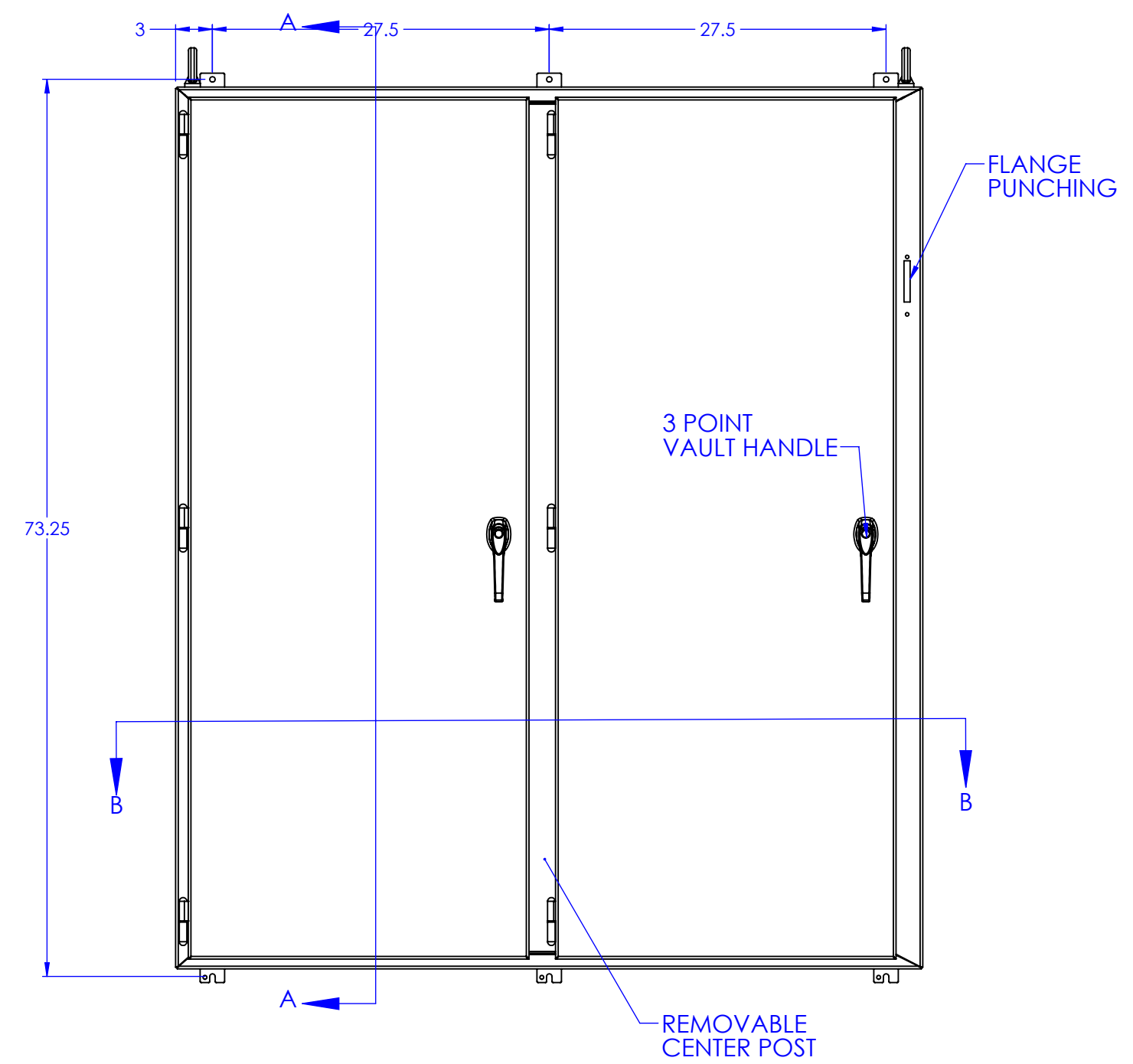
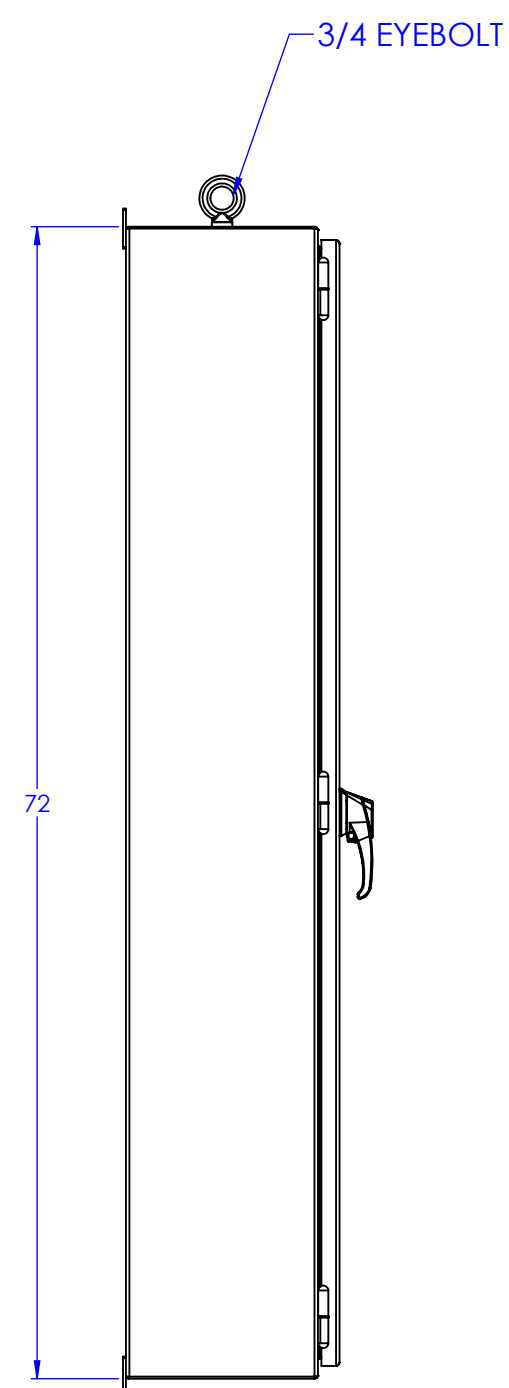
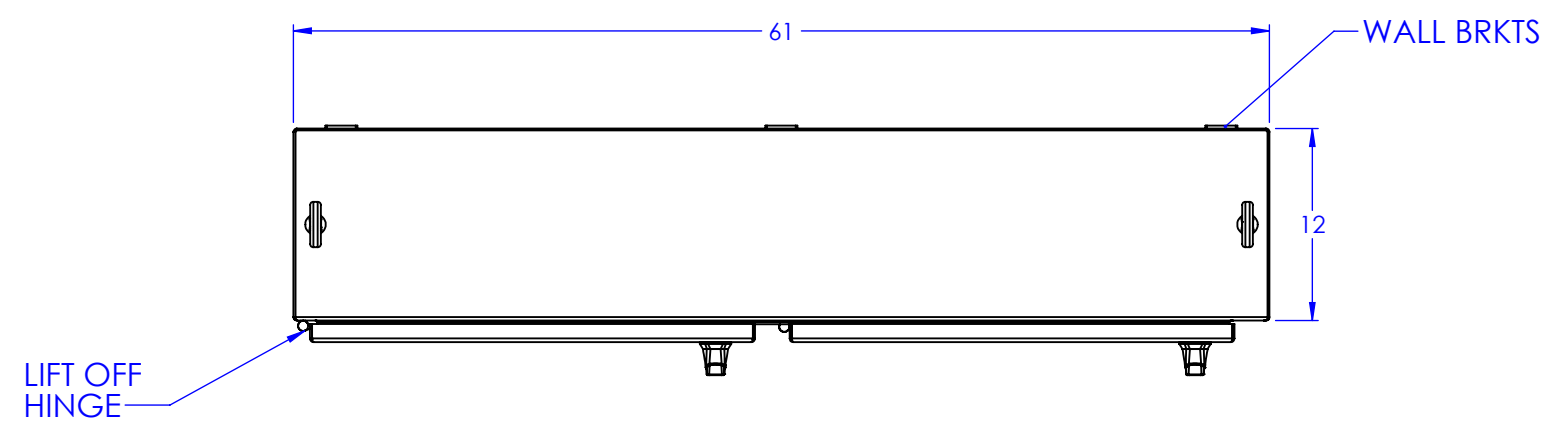
4

3

2

1

REVISIONS			
REV.	DESCRIPTION	DATE	APPROVED



PROPRIETARY AND CONFIDENTIAL THE INFORMATION CONTAINED IN THIS DRAWING IS THE SOLE PROPERTY OF RALSTON METAL PRODUCTS. ANY REPRODUCTION IN PART OR AS A WHOLE WITHOUT THE WRITTEN PERMISSION OF RALSTON METAL PRODUCTS IS PROHIBITED. UNLESS OTHERWISE SPECIFIED DIMENSIONS ARE IN INCHES TOLERANCES: FRACTIONAL ± 1/32" ANGULAR ± 0.031° ONE PLACE DECIMAL ± 0.1" TWO PLACE DECIMAL ± 0.01" THREE PLACE DECIMAL ± 0.005" MATERIAL:	NAME: DAVE BURNS DATE: 2023-02-10 ISSUED BY: DAVE BURNS 2023-02-10 JOB ORDER NO:	50 WATSON ROAD QUELPS, ONTARIO N7L 1E2 PHONE: (519) 836-2969 TOLL FREE: 1-800-265-7611 FAX: (519) 836-9793 Ralston Metal Products Limited www.RALSTONMETAL.COM
	CUSTOMER DRAWING NO:	RALSTON STOCK
	(AUTHORIZED SIGNATURE IN RED) 	SIZE: PART NAME: REV: C 2000-FM-726112 -
	SEE BOM FINISH: SEE BOM DO NOT SCALE DRAWING	THIRD ANGLE PROJECTION PART NO. 2000-FM-726112 WEIGHT: 636.780 SHEET 1 OF 1

4

3

2

1