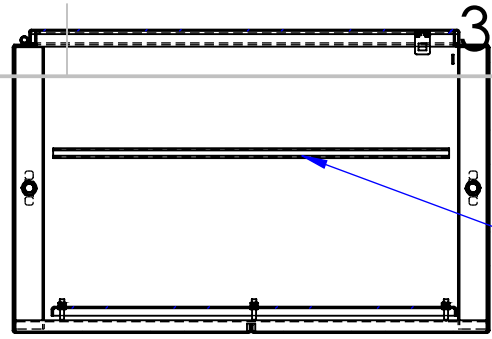


REVISIONS			
REV.	DESCRIPTION	DATE	APPROVED



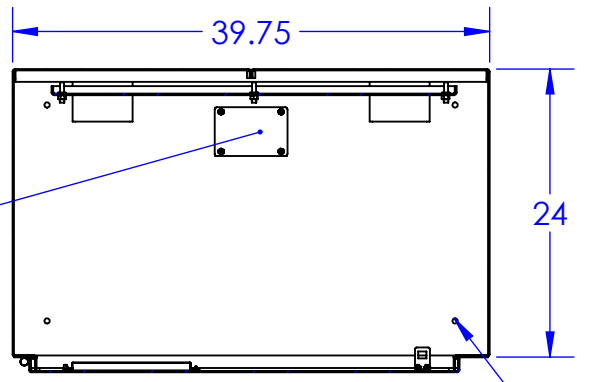
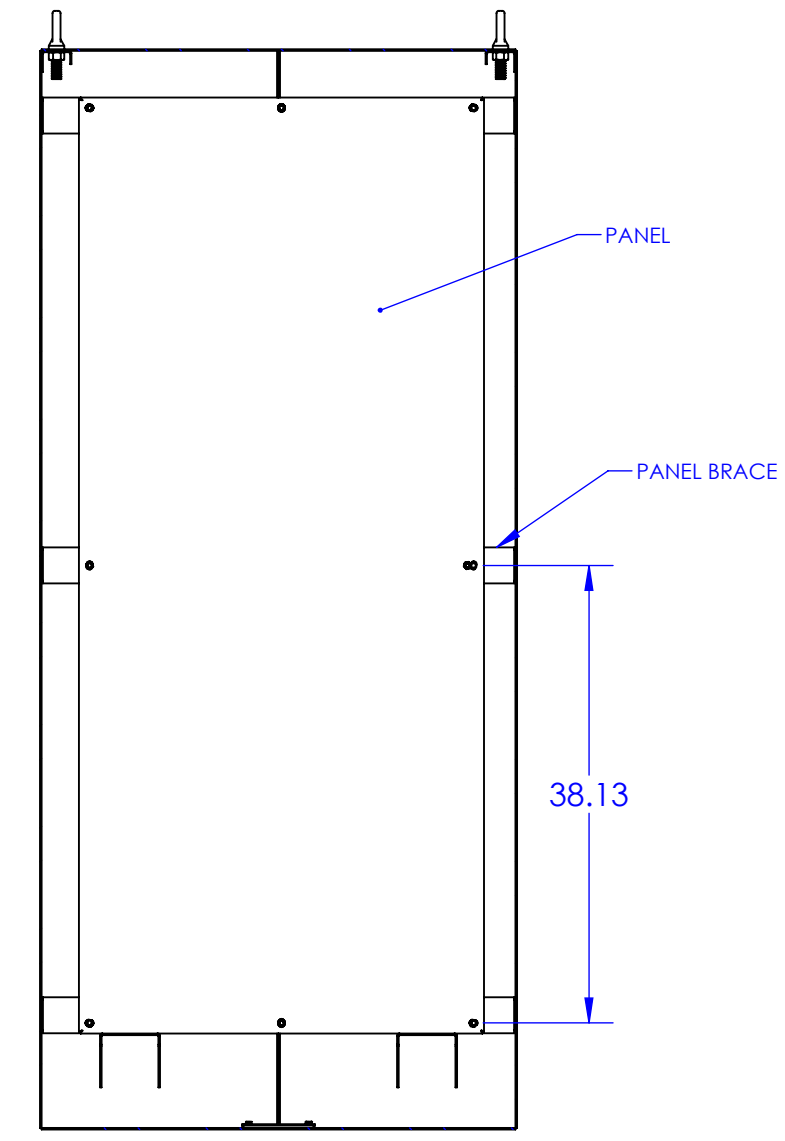
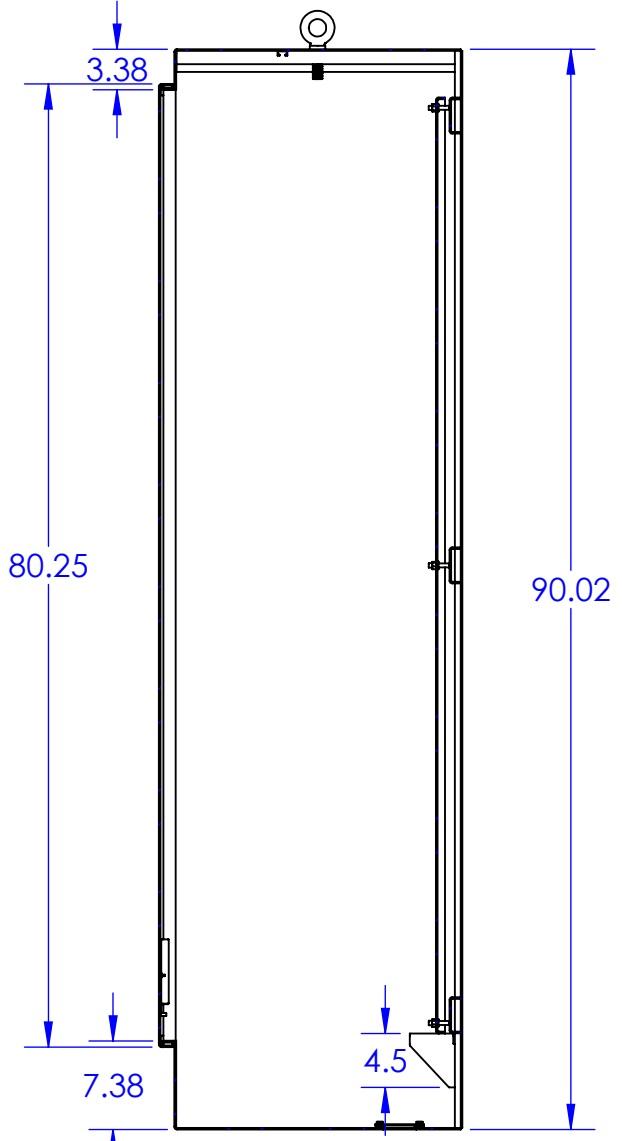
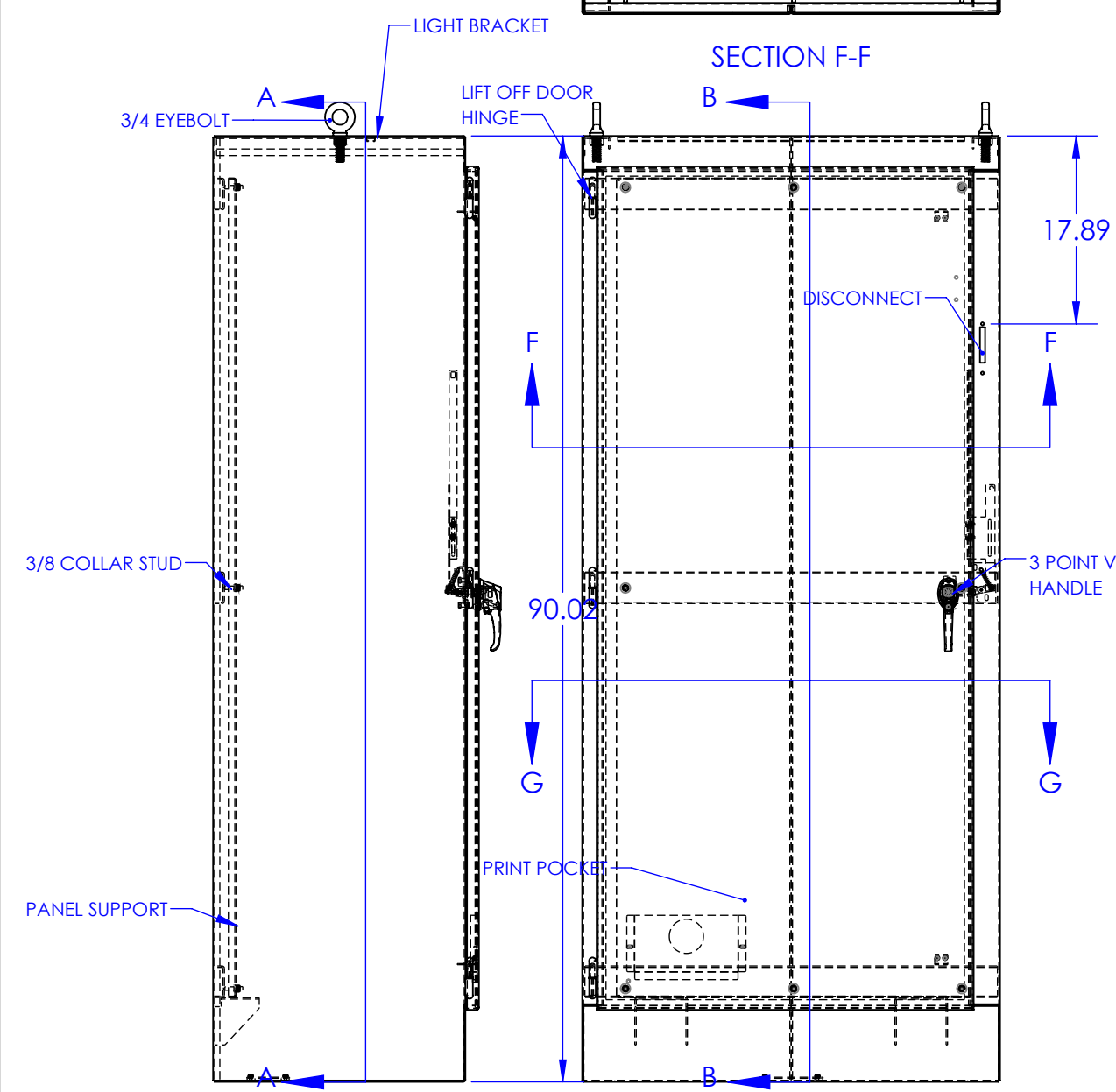
LIGHT BRACKET

SECTION B-B

SECTION A-A

SECTION F-F

SECTION G-G



DRAIN & DRAIN COVER IN BOTTOM OF ENCLOSURE

.438" BOTTOM MOUNTING HOLES (4 PLACES)

**PROPRIETARY AND CONFIDENTIAL**  
 THE INFORMATION CONTAINED IN THIS DRAWING IS THE SOLE PROPERTY OF RALSTON METAL PRODUCTS. ANY REPRODUCTION IN PART OR AS A WHOLE WITHOUT THE WRITTEN PERMISSION OF RALSTON METAL PRODUCTS IS PROHIBITED.  
**UNLESS OTHERWISE SPECIFIED**  
 DIMENSIONS ARE IN INCHES  
 TOLERANCES:  
 FRACTIONAL ±1/32"  
 ANGULAR: MACH ±1° BEND ±1/32"  
 ONE PLACE DECIMAL ±0.1"  
 TWO PLACE DECIMAL ±0.01"  
 THREE PLACE DECIMAL ±0.005"  
 MATERIAL:  
 SEE BOM  
 FINISH:  
 SEE BOM  
 DO NOT SCALE DRAWING

NAME	DATE
DRAWN BY DAVID CIKURU	3/27/2019
ISSUED BY	
JOB ORDER NO:	
CUSTOMER DRAWING NO:	
(AUTHORIZED SIGNATURE IN RED)	
THIRD ANGLE PROJECTION	

50 Watson Road  
 Guelph, Ontario N1L 1E2  
 Phone: (519) 836-2968  
 Toll Free: 1-800-265-7611  
 Fax: (519) 836-9763  
[www.ralstonmetal.com](http://www.ralstonmetal.com)

**Ralston**  
 Metal Products Limited

CUSTOMER:  
 SHOP DRAWING NUMBER:

SIZE	PART NAME:	REV.
<b>B</b>	<b>4-1D-904024</b>	
PART NO.	4-1D-904024	
SCALE: 1:16	WEIGHT: 638.961	SHEET 1 OF 1