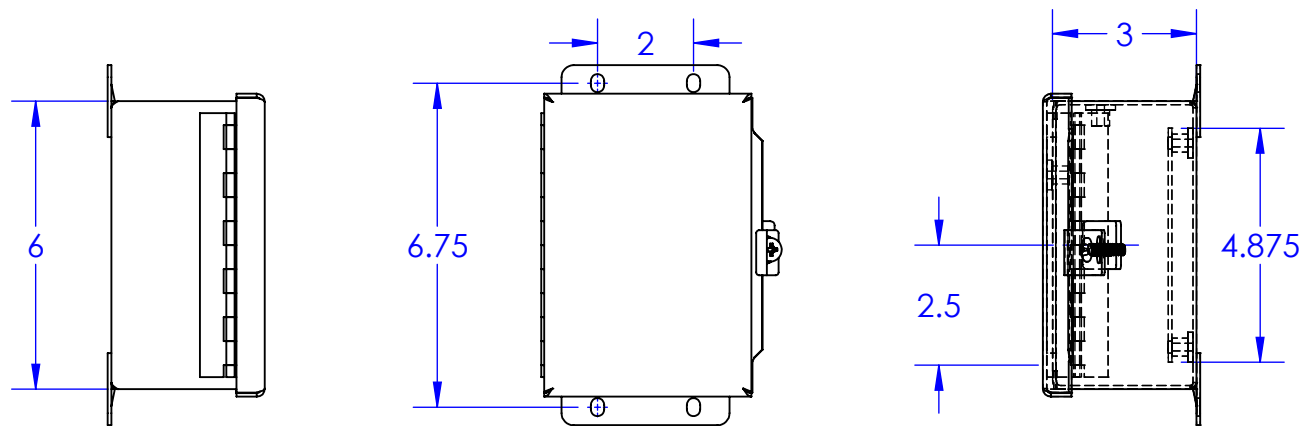
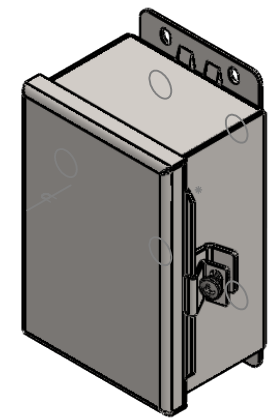
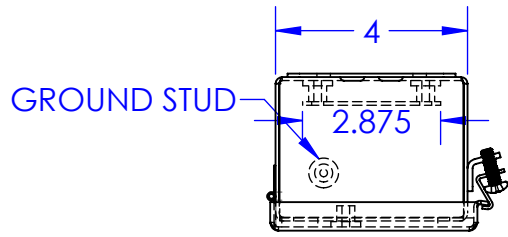


2

1

REVISIONS			
REV.	DESCRIPTION	DATE	APPROVED





B

B

A

A

<b>PROPRIETARY AND CONFIDENTIAL</b> THE INFORMATION CONTAINED IN THIS DRAWING IS THE SOLE PROPERTY OF RALSTON METAL PRODUCTS. ANY REPRODUCTION IN PART OR AS A WHOLE WITHOUT THE WRITTEN PERMISSION OF RALSTON METAL PRODUCTS IS PROHIBITED.	NAME	DATE	 <b>Ralston</b> Metal Products Limited <small>50 Watson Road          Guelph, Ontario N1L 1E2          Phone: (519) 836-2968          Toll Free: 1-800-265-7611          Fax: (519) 836-9763          www.ralstonmetal.com</small>
	DRAWN BY	DAVE BURNS	
<b>UNLESS OTHERWISE SPECIFIED</b> DIMENSIONS ARE IN INCHES TOLERANCES: FRACTIONAL $\pm 1/32"$ ANGULAR: MACH $\pm 1^\circ$ BEND $\pm 1/32"$ ONE PLACE DECIMAL $\pm 0.1"$ TWO PLACE DECIMAL $\pm 0.01"$ THREE PLACE DECIMAL $\pm 0.005"$ MATERIAL: SEE BOM FINISH: SEE BOM DO NOT SCALE DRAWING	ISSUED BY		CUSTOMER:  SHOP DRAWING NUMBER:
	JOB ORDER NO:		
	CUSTOMER DRAWING NO:		SIZE: <b>A</b> PART NAME: <b>IBOH-060403</b> REV. <b>-</b>
	(AUTHORIZED SIGNATURE IN RED)		PART NO. <b>IBOH 060403-DRAWING</b>
	 THIRD ANGLE PROJECTION		SCALE: 1:4 WEIGHT: 3.379 SHEET 1 OF 1

2

1