

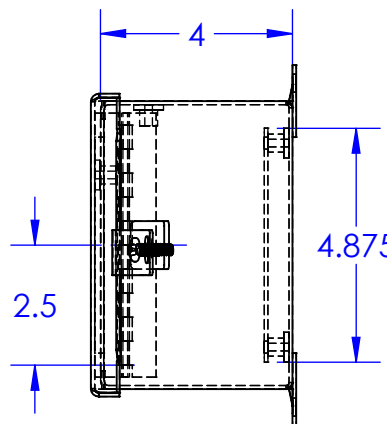
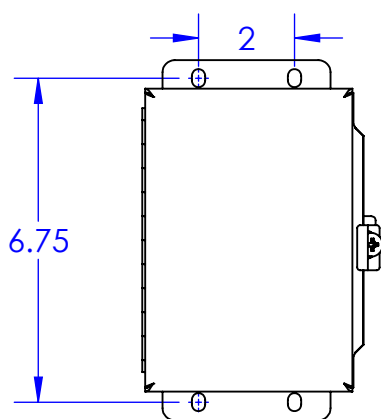
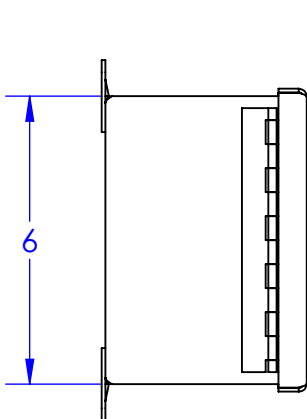
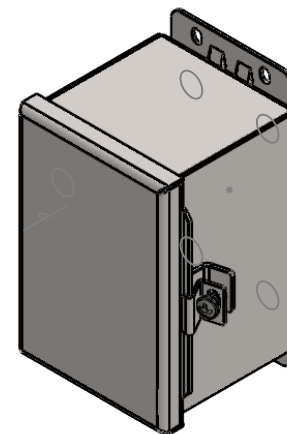
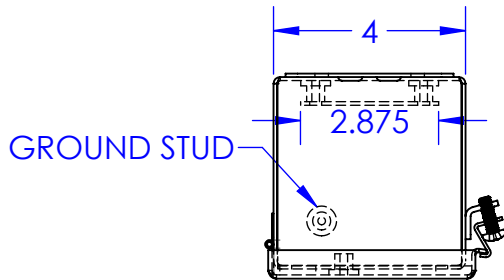
2

1

REVISIONS			
REV.	DESCRIPTION	DATE	APPROVED

B

B



A

A

PROPRIETARY AND CONFIDENTIAL
 THE INFORMATION CONTAINED IN THIS DRAWING IS THE SOLE PROPERTY OF RALSTON METAL PRODUCTS. ANY REPRODUCTION IN PART OR AS A WHOLE WITHOUT THE WRITTEN PERMISSION OF RALSTON METAL PRODUCTS IS PROHIBITED.

UNLESS OTHERWISE SPECIFIED
 DIMENSIONS ARE IN INCHES
 TOLERANCES:
 FRACTIONAL $\pm 1/32"$
 ANGULAR: MACH $\pm 1^\circ$ BEND $\pm 1/32"$
 ONE PLACE DECIMAL $\pm 0.1"$
 TWO PLACE DECIMAL $\pm 0.01"$
 THREE PLACE DECIMAL $\pm 0.005"$
 MATERIAL:

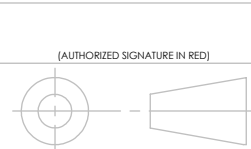
SEE BOM
 FINISH:
 SEE BOM
 DO NOT SCALE DRAWING

NAME	DATE
DAVE BURNS	1/28/2019

ISSUED BY:
 JOB ORDER NO:

CUSTOMER DRAWING NO:

(AUTHORIZED SIGNATURE IN RED)



THIRD ANGLE PROJECTION

50 Watson Road
 Guelph, Ontario N1L 1E2
Ralston
 Metal Products Limited
 Phone: (519) 836-2968
 Toll Free: 1-800-265-7611
 Fax: (519) 836-9763
 www.ralstonmetal.com

CUSTOMER:
 SHOP DRAWING NUMBER:

SIZE	PART NAME:	REV.
A	IBOH-060404	-

PART NO.	IBOH 060404-DRAWING
SCALE: 1:4	WEIGHT: 3.795
SHEET 1 OF 1	

2

1