

4

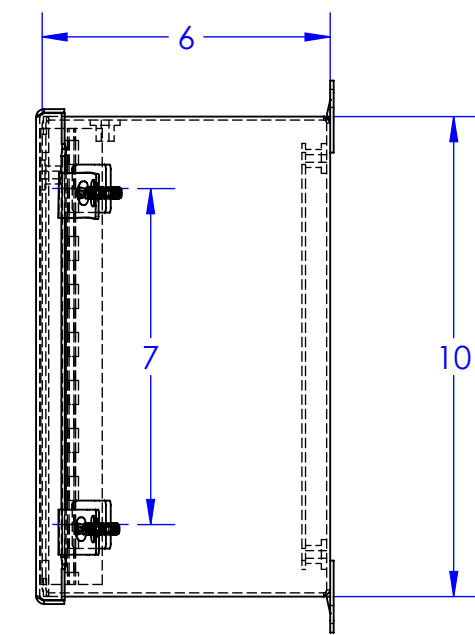
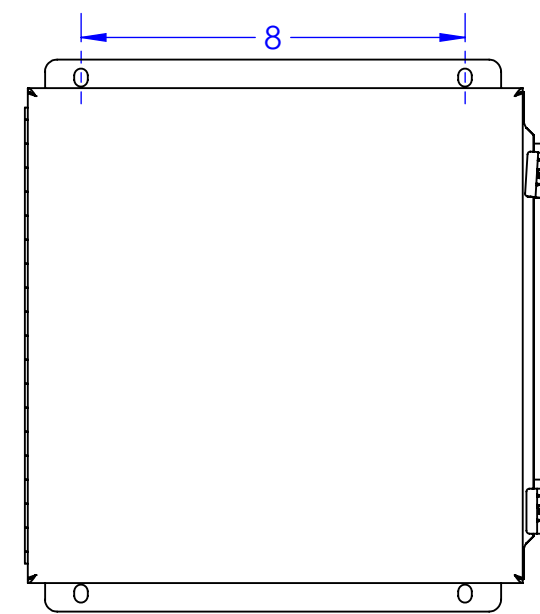
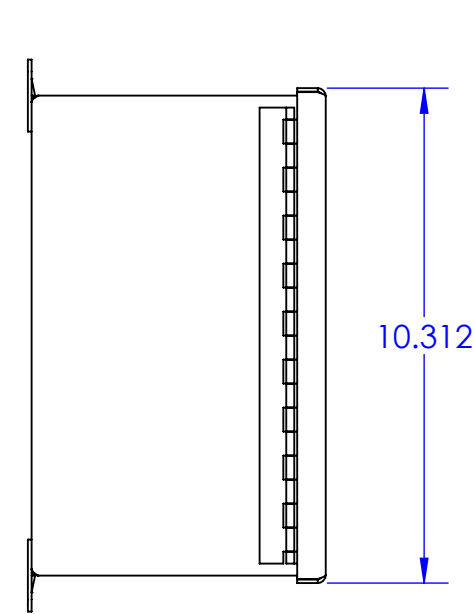
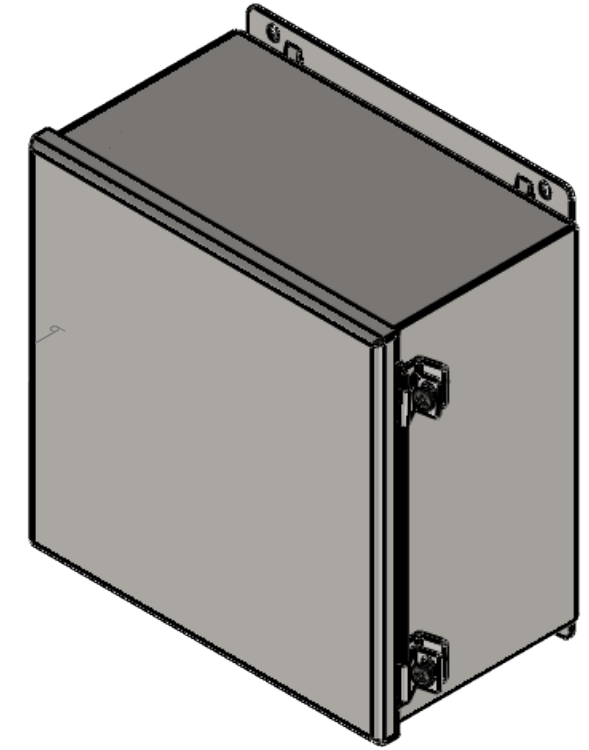
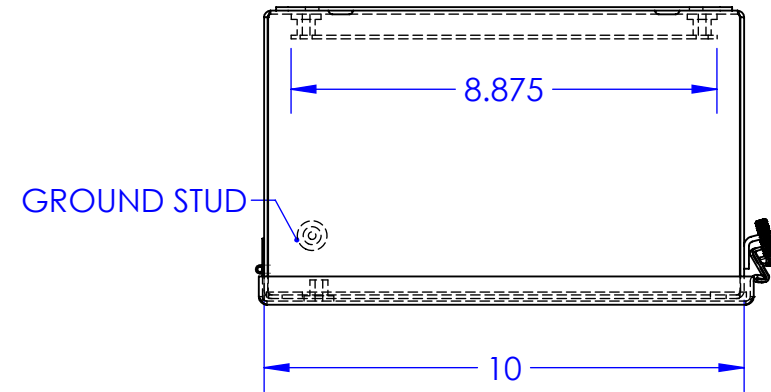
3

2

1

REVISIONS

REV.	DESCRIPTION	DATE	APPROVED
------	-------------	------	----------



PROPRIETARY AND CONFIDENTIAL

THE INFORMATION CONTAINED IN THIS DRAWING IS THE SOLE PROPERTY OF RALSTON METAL PRODUCTS. ANY REPRODUCTION IN PART OR AS A WHOLE WITHOUT THE WRITTEN PERMISSION OF RALSTON METAL PRODUCTS IS PROHIBITED.

UNLESS OTHERWISE SPECIFIED

DIMENSIONS ARE IN INCHES

TOLERANCES:

FRACTIONAL: ±1/32"

ANGULAR: MACH ±1° BEND ±1/32"

ONE PLACE DECIMAL ±0.1"

TWO PLACE DECIMAL ±0.01"

THREE PLACE DECIMAL ±0.005"

MATERIAL:

SEE BOM

FINISH:

SEE BOM

DO NOT SCALE DRAWING

NAME	DATE
DRAWN BY: DAVE BURNS	1/22/2019
ISSUED BY:	
JOB ORDER NO.:	
CUSTOMER DRAWING NO.:	RALTON STOCK
(AUTHORIZED SIGNATURE IN RED)	
THIRD ANGLE PROJECTION	

50 Watson Road
Guelph, Ontario N1L 1E2
Phone: (519) 836-2968
Toll Free: 1-800-265-7611
Fax: (519) 836-9763
www.ralstonmetal.com

Ralston
Metal Products Limited

CUSTOMER:

SHOP DRAWING NUMBER:
IBOH-101006

SIZE	PART NAME:	REV.
B	IBOH 101006	

PART NO. IBOH 101006

SCALE: 1:4 WEIGHT: 12.714 SHEET 1 OF 1

4

3

2

1

B

B

A

A