

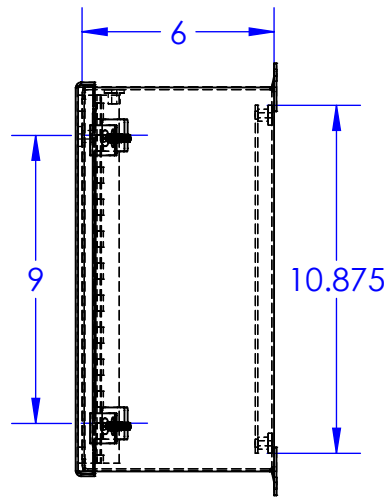
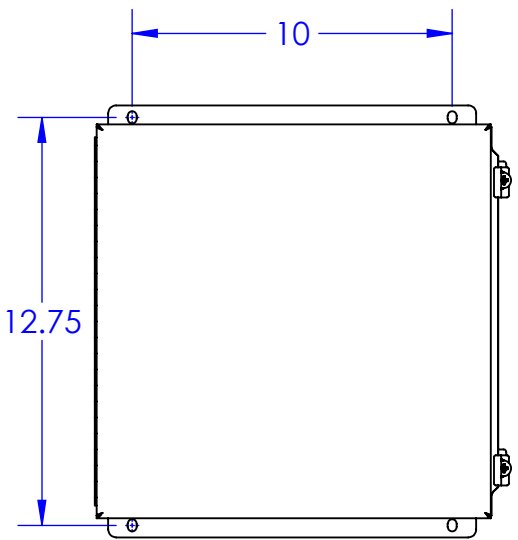
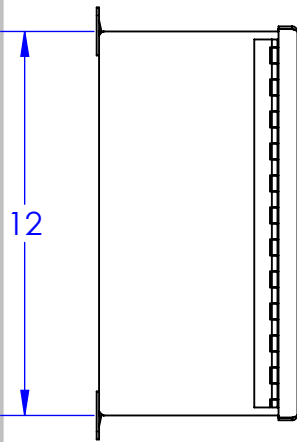
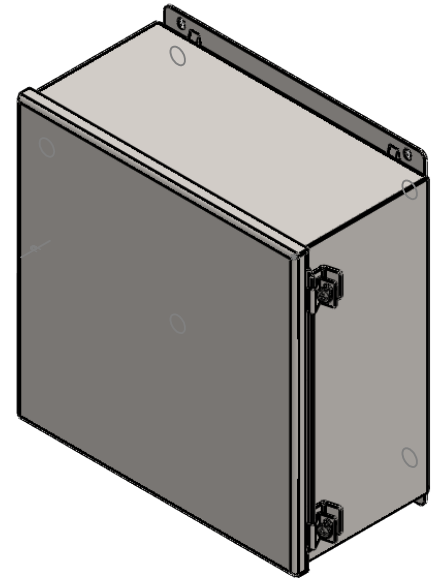
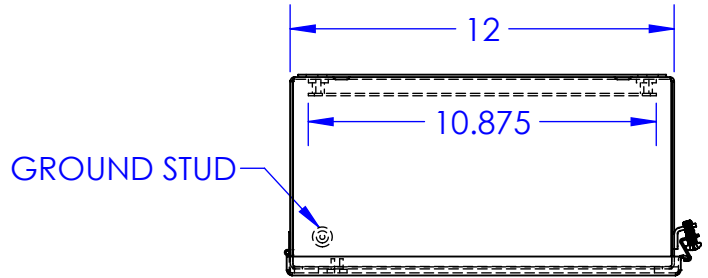
2

1

REVISIONS			
REV.	DESCRIPTION	DATE	APPROVED

B

B



A

A

PROPRIETARY AND CONFIDENTIAL
 THE INFORMATION CONTAINED IN THIS DRAWING IS THE SOLE PROPERTY OF RALSTON METAL PRODUCTS. ANY REPRODUCTION IN PART OR AS A WHOLE WITHOUT THE WRITTEN PERMISSION OF RALSTON METAL PRODUCTS IS PROHIBITED.

UNLESS OTHERWISE SPECIFIED
 DIMENSIONS ARE IN INCHES
 TOLERANCES:
 FRACTIONAL $\pm 1/32"$
 ANGULAR: MACH $\pm 1^\circ$ BEND $\pm 1/32"$
 ONE PLACE DECIMAL $\pm 0.1"$
 TWO PLACE DECIMAL $\pm 0.01"$
 THREE PLACE DECIMAL $\pm 0.005"$
 MATERIAL:
 SEE BOM
 FINISH:
 SEE BOM
 DO NOT SCALE DRAWING

NAME	DATE
DAVE BURNS	1/25/2019
ISSUED BY	
JOB ORDER NO:	
CUSTOMER DRAWING NO:	
(AUTHORIZED SIGNATURE IN RED)	
THIRD ANGLE PROJECTION	

50 Watson Road
Guelph, Ontario N1L 1E2

Ralston
Metal Products Limited

Phone: (519) 836-2968
Toll Free: 1-800-265-7611
Fax: (519) 836-9763
www.ralstonmetal.com

CUSTOMER:

SHOP DRAWING NUMBER:

SIZE	PART NAME:	REV.
A	IBOH-121206	-

PART NO. IBOH 121206-DRAWING

SCALE: 1:6 WEIGHT: 16.766 SHEET 1 OF 1

2

1