

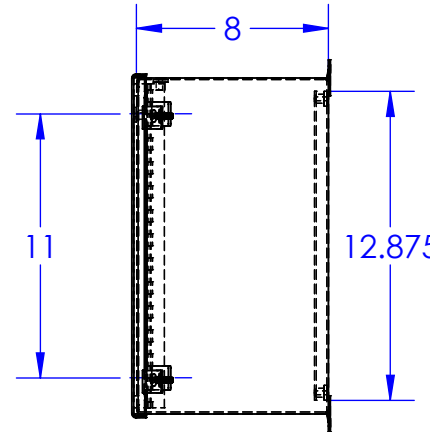
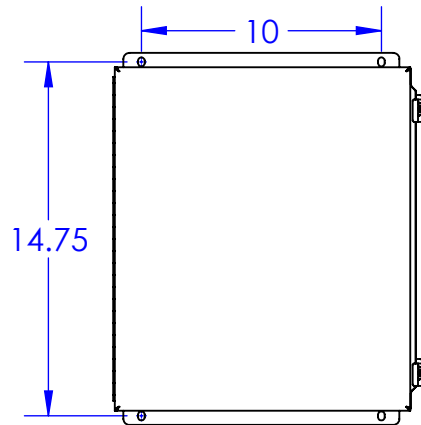
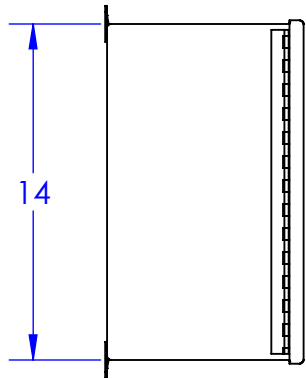
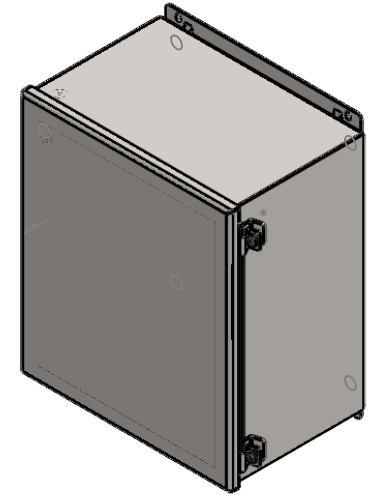
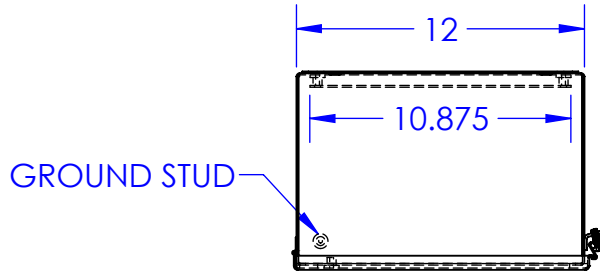
2

1

REVISIONS			
REV.	DESCRIPTION	DATE	APPROVED


B

B



A

A

PROPRIETARY AND CONFIDENTIAL THE INFORMATION CONTAINED IN THIS DRAWING IS THE SOLE PROPERTY OF RALSTON METAL PRODUCTS. ANY REPRODUCTION IN PART OR AS A WHOLE WITHOUT THE WRITTEN PERMISSION OF RALSTON METAL PRODUCTS IS PROHIBITED. UNLESS OTHERWISE SPECIFIED DIMENSIONS ARE IN INCHES TOLERANCES: FRACTIONAL $\pm 1/32"$ ANGULAR: MACH $\pm 1^\circ$ BEND $\pm 1/32"$ ONE PLACE DECIMAL $\pm 0.1"$ TWO PLACE DECIMAL $\pm 0.01"$ THREE PLACE DECIMAL $\pm 0.005"$ MATERIAL: SEE BOM FINISH: SEE BOM DO NOT SCALE DRAWING	NAME	DATE	 Ralston Metal Products Limited 50 Watson Road Guelph, Ontario N1L 1E2 Phone: (519) 836-2968 Toll Free: 1-800-265-7611 Fax: (519) 836-9763 www.ralstonmetal.com		
	DRAWN BY	DAVE BURNS		1/28/2019	
	ISSUED BY		CUSTOMER:		
	JOB ORDER NO:		SHOP DRAWING NUMBER:		
	CUSTOMER DRAWING NO:		SIZE	PART NAME:	REV.
	(AUTHORIZED SIGNATURE IN RED)		A	IBOH-141208	-
	THIRD ANGLE PROJECTION		PART NO.	IBOH 141208-DRAWING	
			SCALE: 1:8	WEIGHT: 21.057	SHEET 1 OF 1

2

1