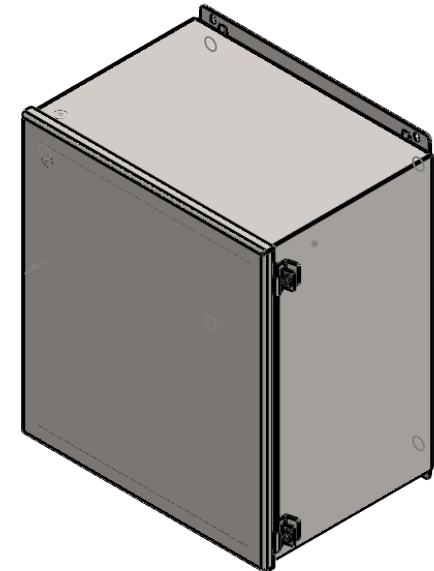
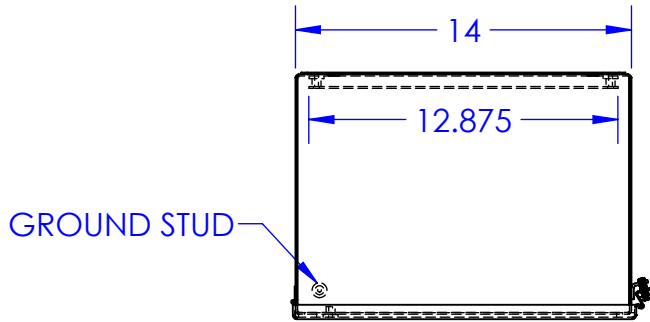


2

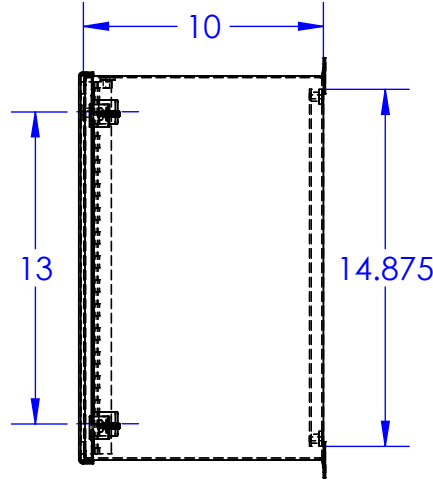
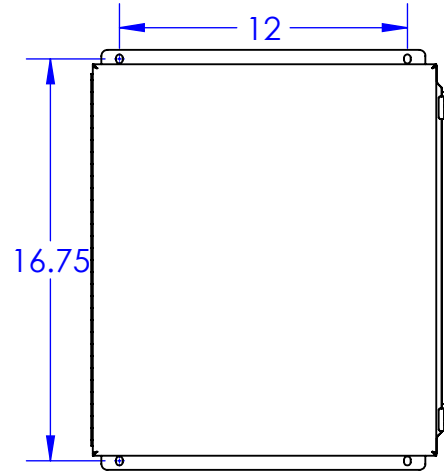
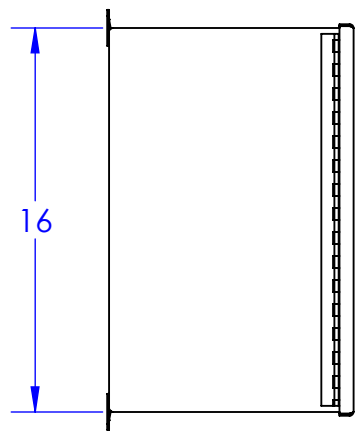
1

REVISIONS			
REV.	DESCRIPTION	DATE	APPROVED

B



B



A

PROPRIETARY AND CONFIDENTIAL
 THE INFORMATION CONTAINED IN THIS DRAWING IS THE SOLE PROPERTY OF RALSTON METAL PRODUCTS. ANY REPRODUCTION IN PART OR AS A WHOLE WITHOUT THE WRITTEN PERMISSION OF RALSTON METAL PRODUCTS IS PROHIBITED.

UNLESS OTHERWISE SPECIFIED
 DIMENSIONS ARE IN INCHES
 TOLERANCES:
 FRACTIONAL $\pm 1/32"$
 ANGULAR: MACH $\pm 1^\circ$ BEND $\pm 1/32"$
 ONE PLACE DECIMAL $\pm 0.1"$
 TWO PLACE DECIMAL $\pm 0.01"$
 THREE PLACE DECIMAL $\pm 0.005"$
 MATERIAL:
 SEE BOM
 FINISH:
 SEE BOM
 DO NOT SCALE DRAWING

NAME	DATE
DRAWN BY: DAVE BURNS	1/24/2019
ISSUED BY:	
JOB ORDER NO:	
CUSTOMER DRAWING NO:	
(AUTHORIZED SIGNATURE IN RED)	
THIRD ANGLE PROJECTION	

		50 Watson Road Guelph, Ontario N1L 1E2 Phone: (519) 836-2968 Toll Free: 1-800-265-7611 Fax: (519) 836-9763 www.ralstonmetal.com	
		CUSTOMER:	
SHOP DRAWING NUMBER:			
SIZE	PART NAME:	REV.	
A	IBOH-161410	-	
PART NO.	IBOH 161410-DRAWING		
SCALE: 1:8	WEIGHT: 28.730	SHEET 1 OF 1	

A

2

1