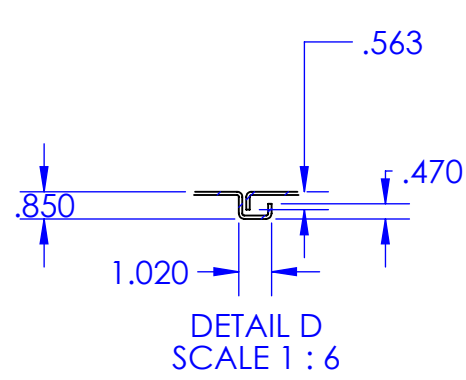
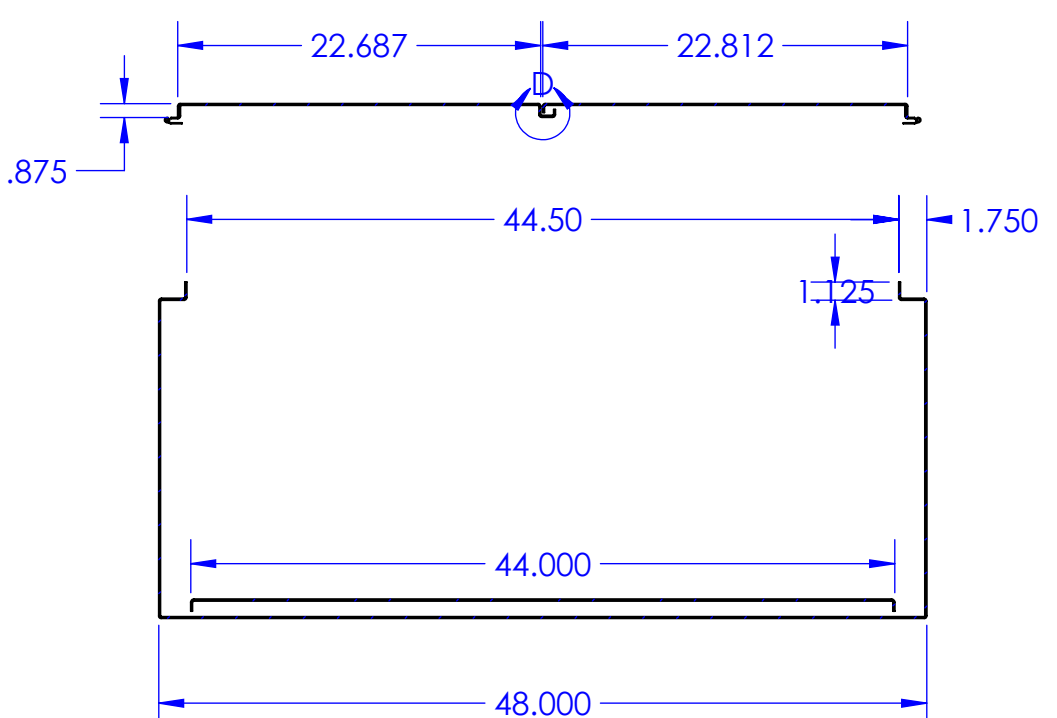
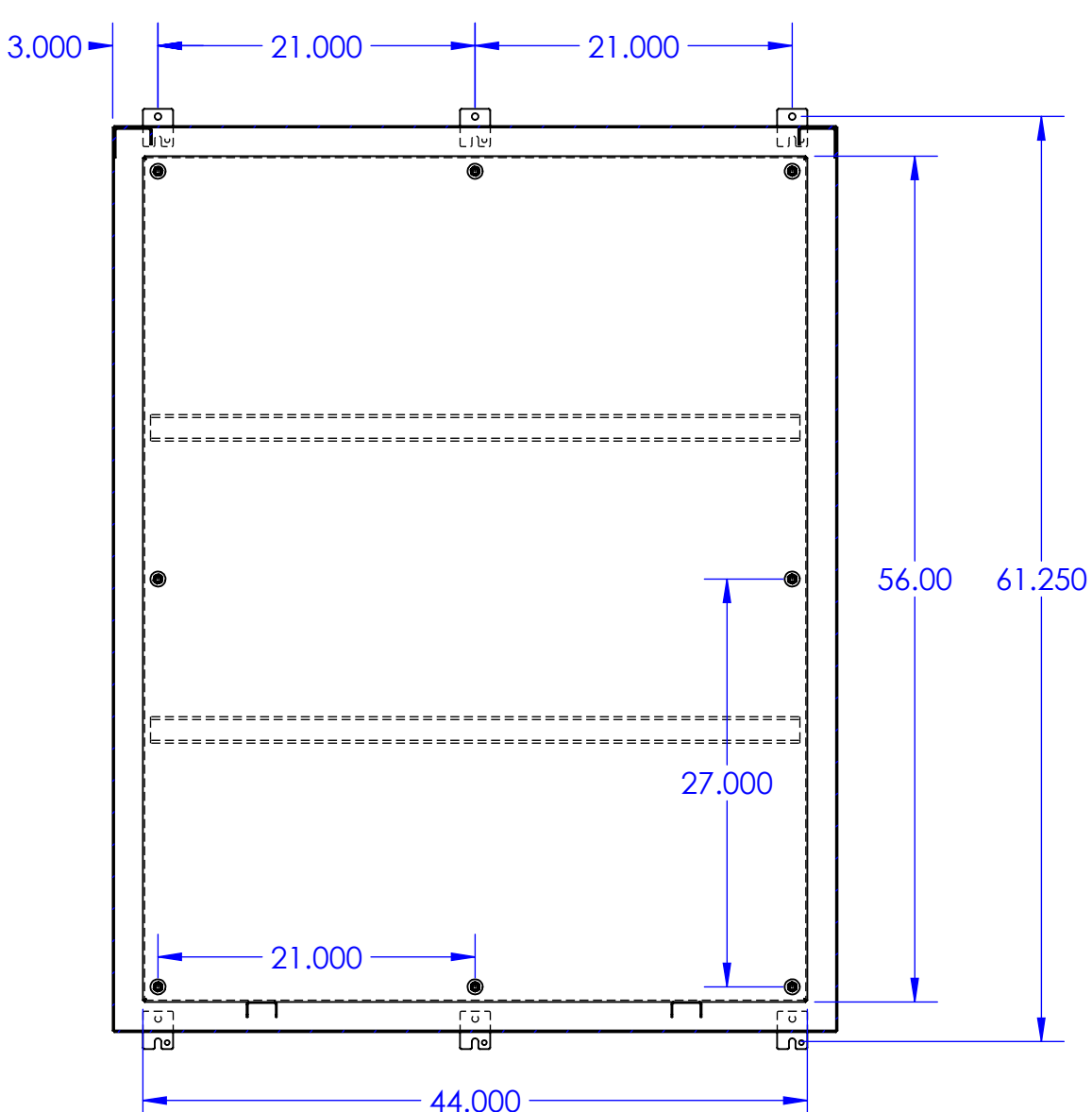
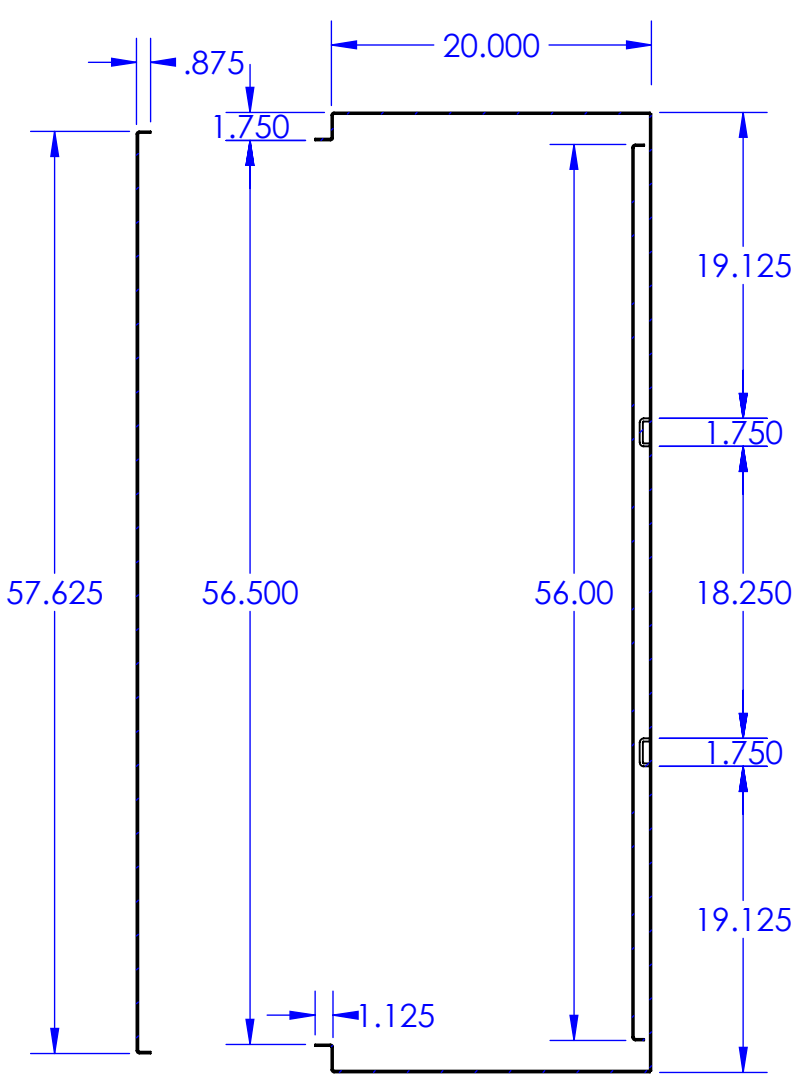
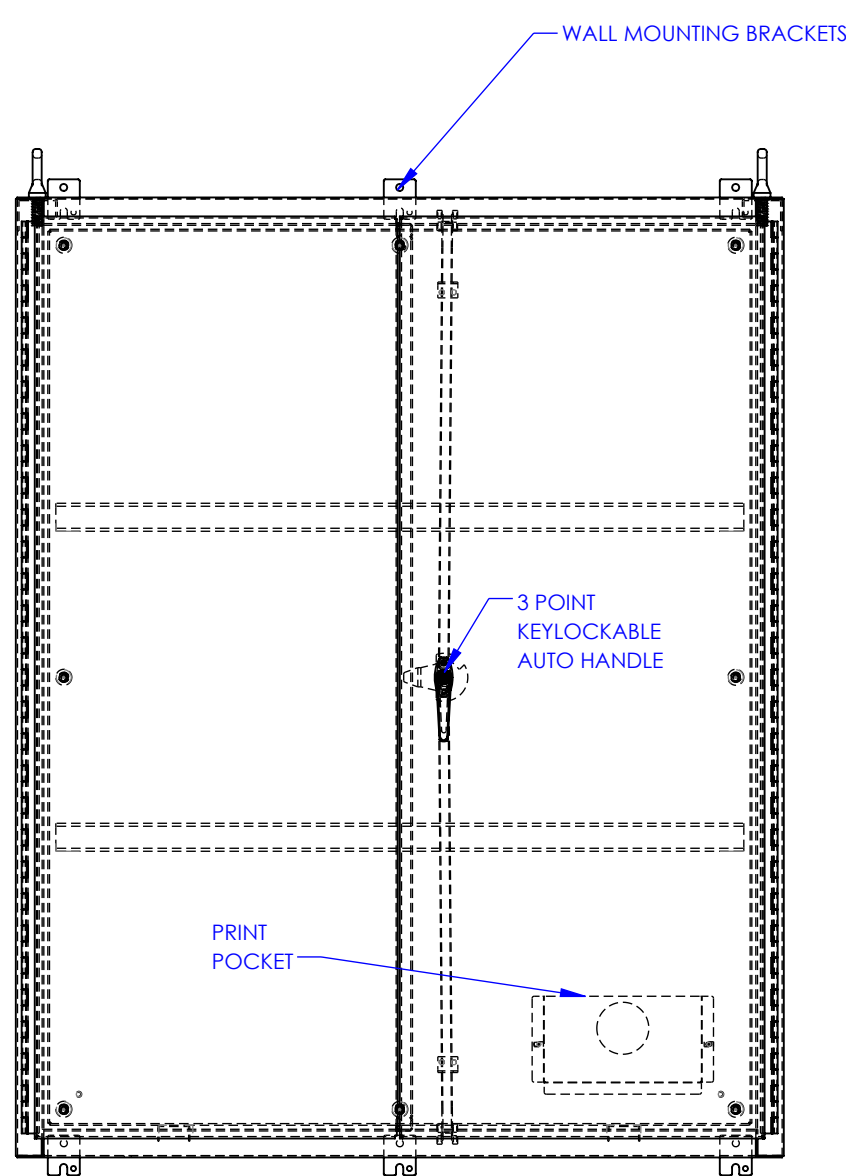
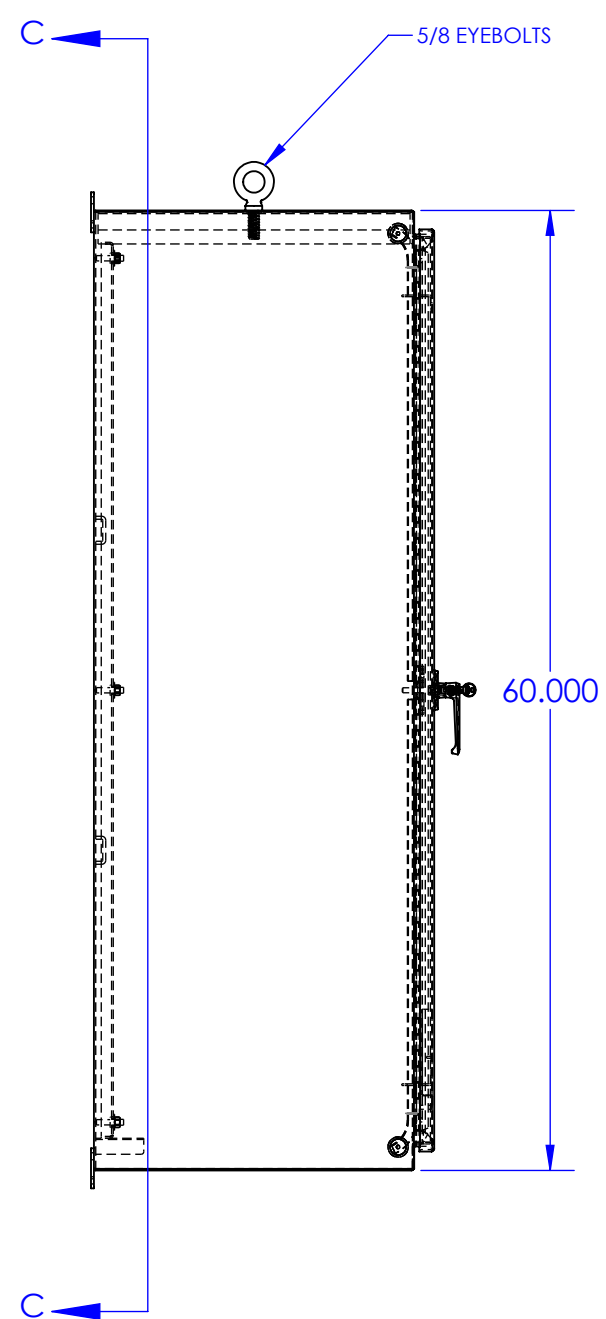
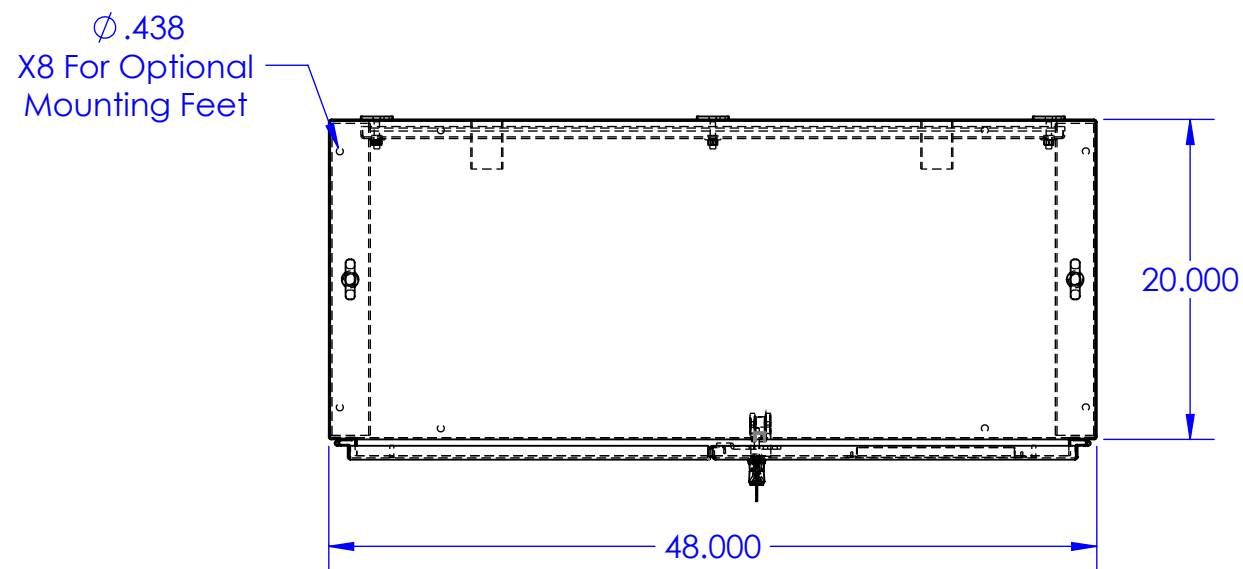


REVISIONS			
REV.	DESCRIPTION	DATE	APPROVED



PROPRIETARY AND CONFIDENTIAL THE INFORMATION CONTAINED IN THIS DRAWING IS THE SOLE PROPERTY OF RALSTON METAL PRODUCTS. ANY REPRODUCTION IN PART OR AS A WHOLE WITHOUT THE WRITTEN PERMISSION OF RALSTON METAL PRODUCTS IS PROHIBITED. UNLESS OTHERWISE SPECIFIED DIMENSIONS ARE IN INCHES TOLERANCES: FRACTIONAL ±1/32" ANGULAR MACH ±1° ONE PLACE DECIMAL ±0.1" TWO PLACE DECIMAL ±0.01" THREE PLACE DECIMAL ±0.005" MATERIAL: SEE BOM FINISH: SEE BOM DO NOT SCALE DRAWING	NAME DATE	50 WATSON ROAD QUELPS, ONTARIO N1L 1E2 PHONE: (519) 836-2968 TOLL FREE: 1-800-265-7611 FAX: (519) 836-9793 Ralston Metal Products Limited WWW.RALSTONMETAL.COM	
	DRAWN BY ISSUED BY JOB ORDER NO.	CUSTOMER: SHOP DRAWING NUMBER:	SIZE PART NAME: C N12-DD-604820
	CUSTOMER DRAWING NO.	(AUTHORIZED SIGNATURE IN RED) 	REV.
	THIRD ANGLE PROJECTION 	PART NO. N12-DD-604820 - DRAWING SCALE: 1:12 WEIGHT: 130.573 SHEET 1 OF 1	