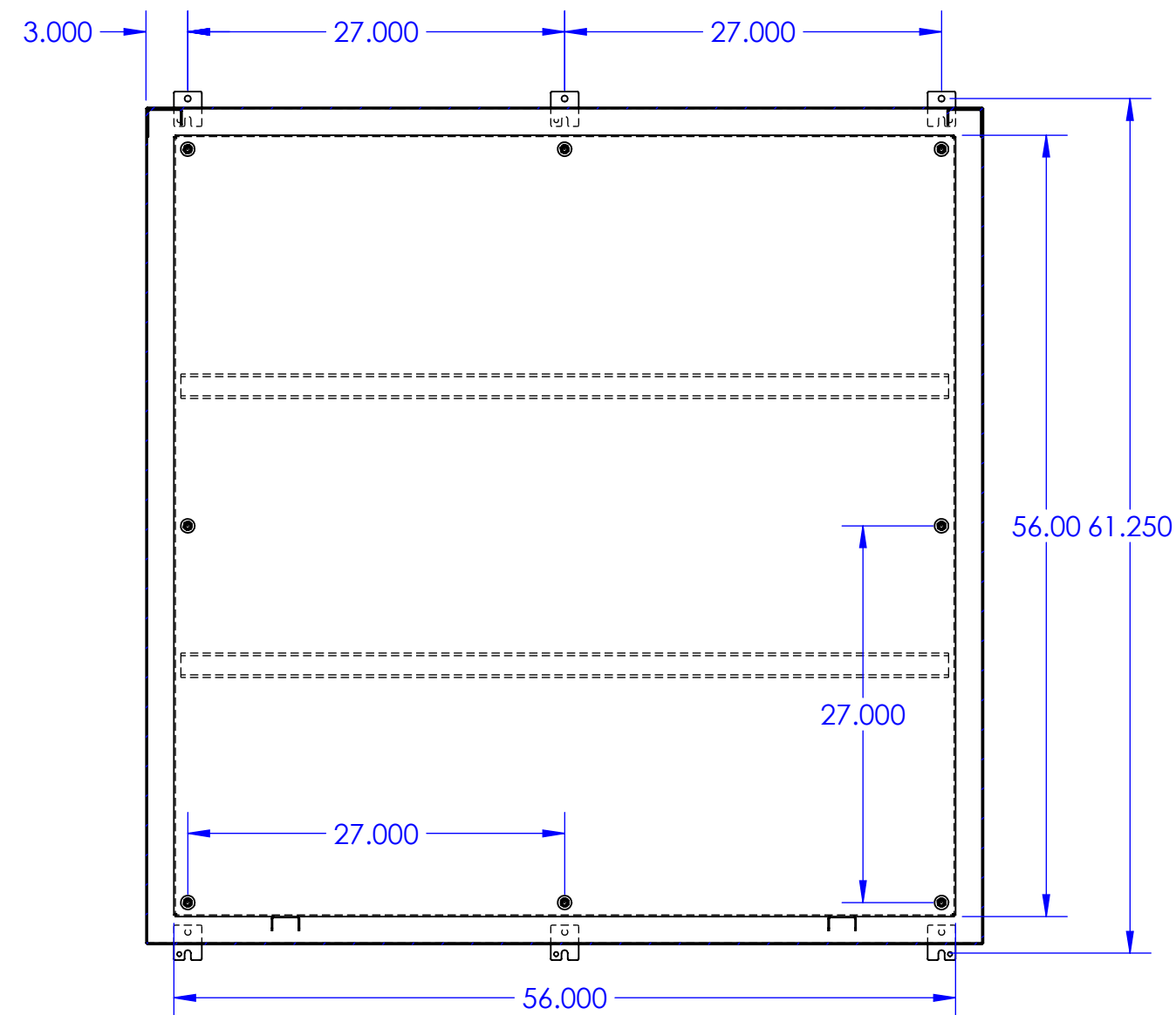
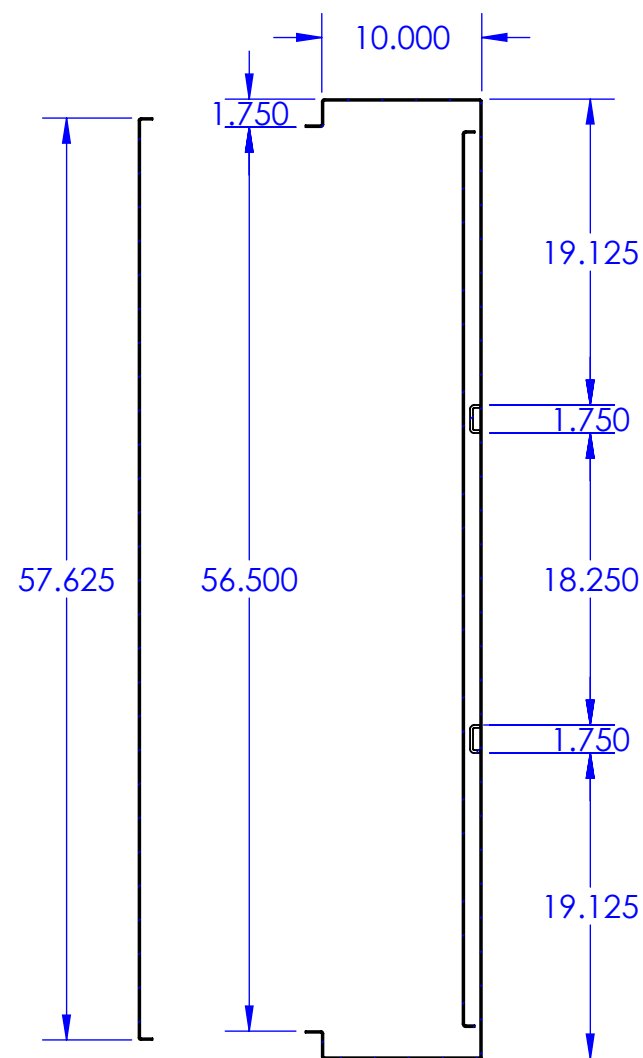
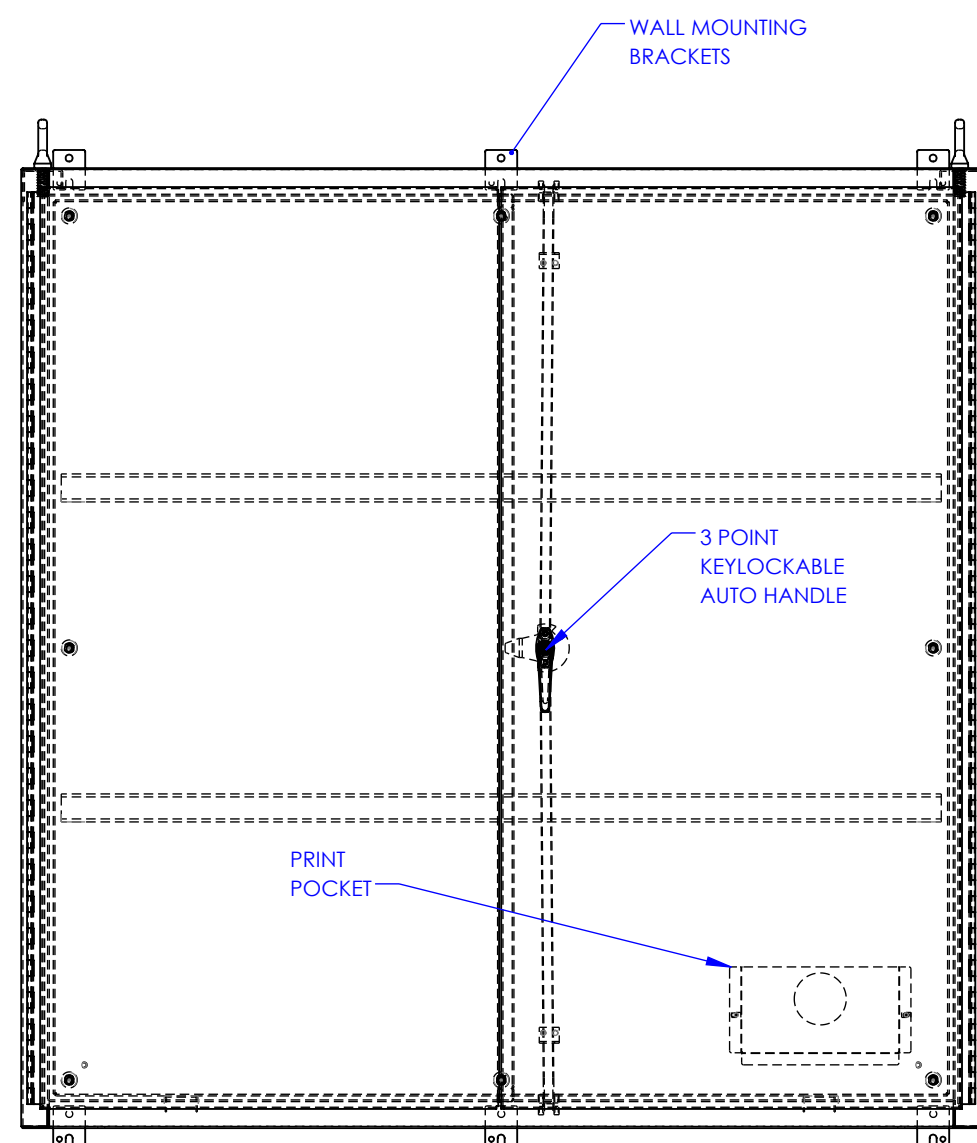
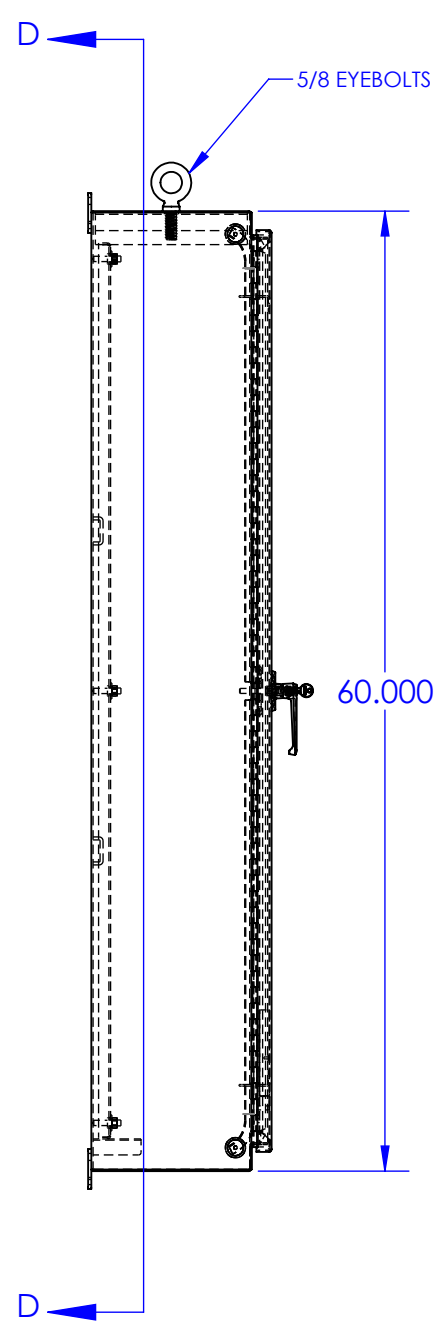
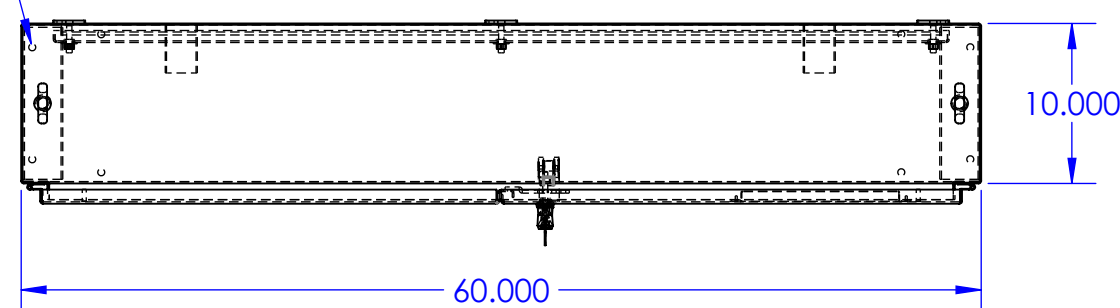
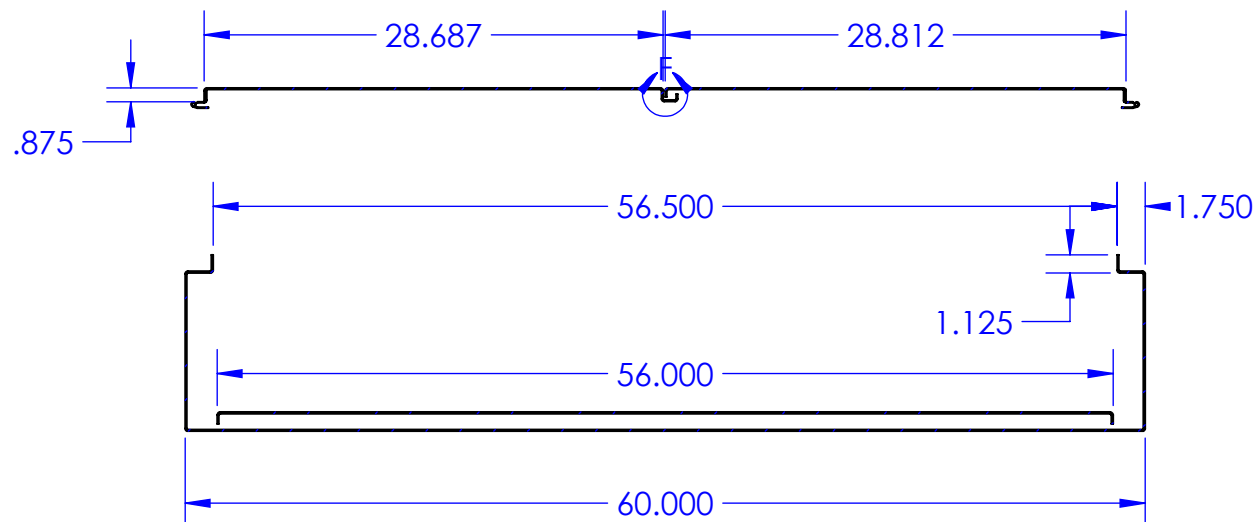
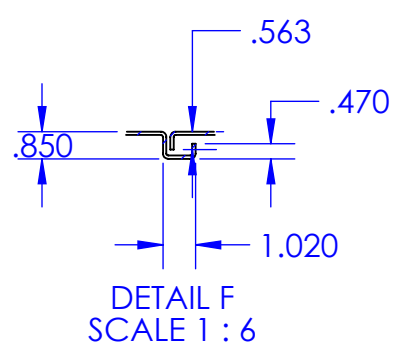


REVISIONS			
REV.	DESCRIPTION	DATE	APPROVED

Ø .438
x8 FOR
OPTIONAL
MOUNTING FEET



SECTION D-D



<p>PROPRIETARY AND CONFIDENTIAL</p> <p>THE INFORMATION CONTAINED IN THIS DRAWING IS THE SOLE PROPERTY OF RALSTON METAL PRODUCTS. ANY REPRODUCTION IN PART OR AS A WHOLE WITHOUT THE WRITTEN PERMISSION OF RALSTON METAL PRODUCTS IS PROHIBITED.</p> <p>UNLESS OTHERWISE SPECIFIED</p> <p>TOLERANCES:</p> <p>FRACTIONAL ± 1/32"</p> <p>ANGULAR ± MACH 1"</p> <p>ONE PLACE DECIMAL ± 0.1"</p> <p>TWO PLACE DECIMAL ± 0.01"</p> <p>THREE PLACE DECIMAL ± 0.005"</p> <p>MATERIAL:</p>	NAME	DATE	<p>50 WATSON ROAD QUEBEC, ONTARIO N1L 1E2</p> <p>Ralston Metal Products Limited</p> <p>PHONE: (519) 836-2969 TOLL FREE: 1-800-265-7611 FAX: (519) 836-9793</p> <p>WWW.RALSTONMETAL.COM</p>
	DRAWN BY		
	ISSUED BY		
	JOB ORDER NO.		
SEE BOM	CUSTOMER DRAWING NO.		SHOP DRAWING NUMBER:
FRISH:	(AUTHORIZED SIGNATURE IN RED)		SIZE PART NAME:
SEE BOM			C N12-DD-606010
DO NOT SCALE DRAWING	THIRD ANGLE PROJECTION		PART NO. N12-DD-606010 - DRAWING
			WEIGHT: 149.175
			SHEET 1 OF 1