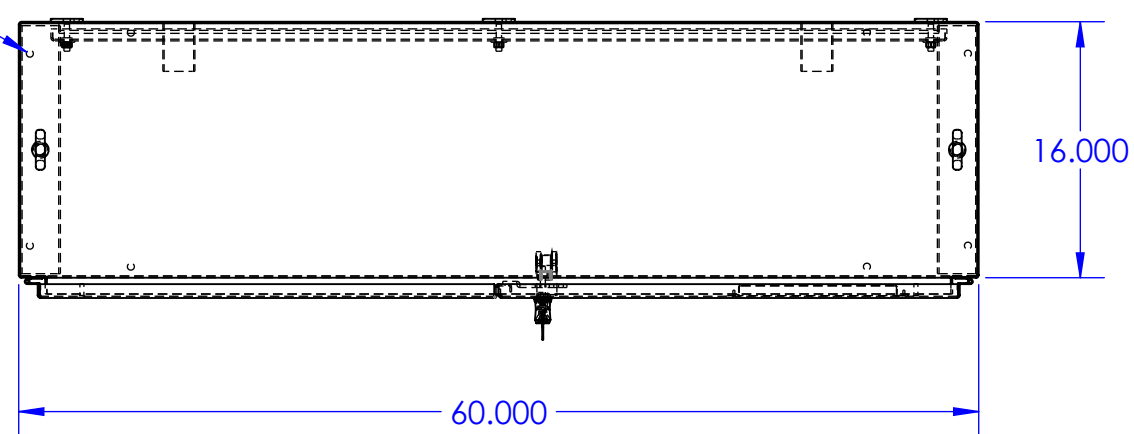


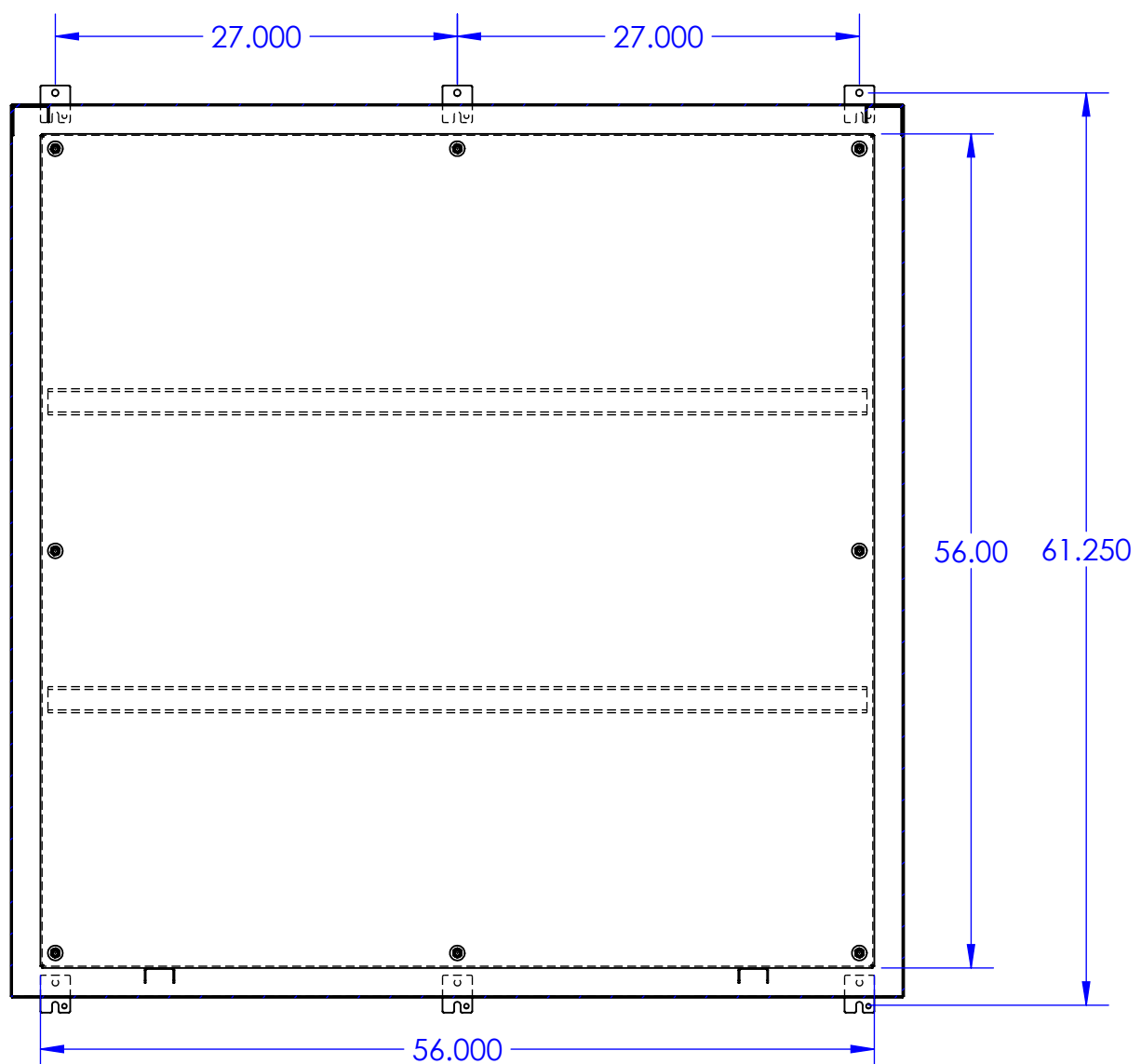
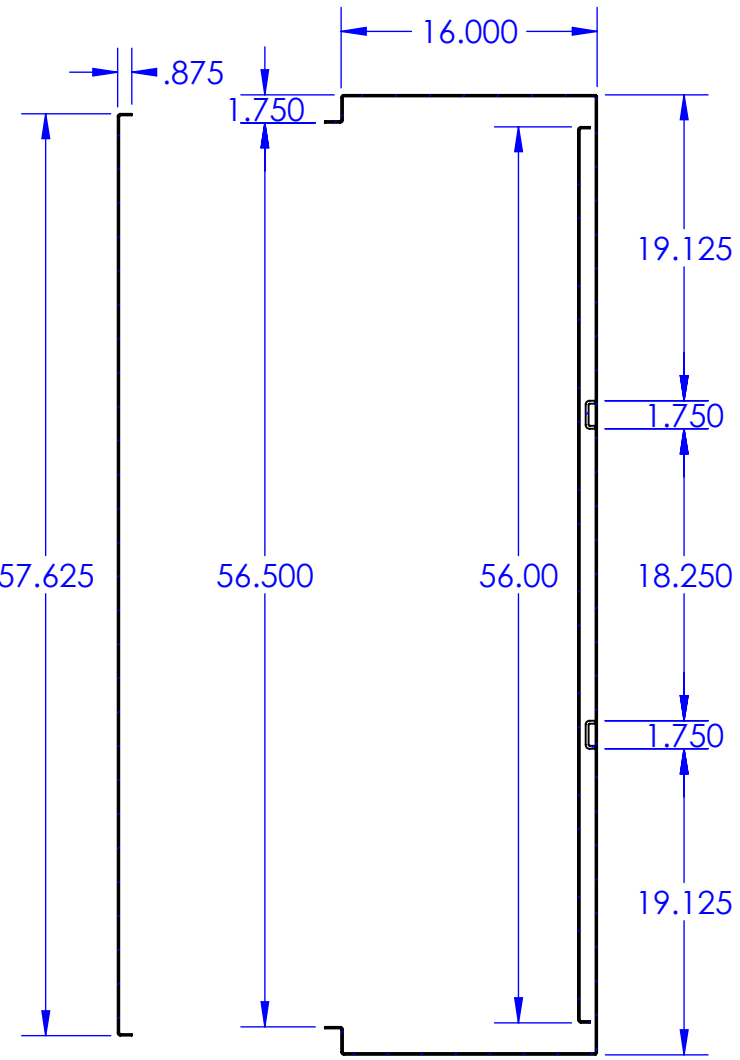
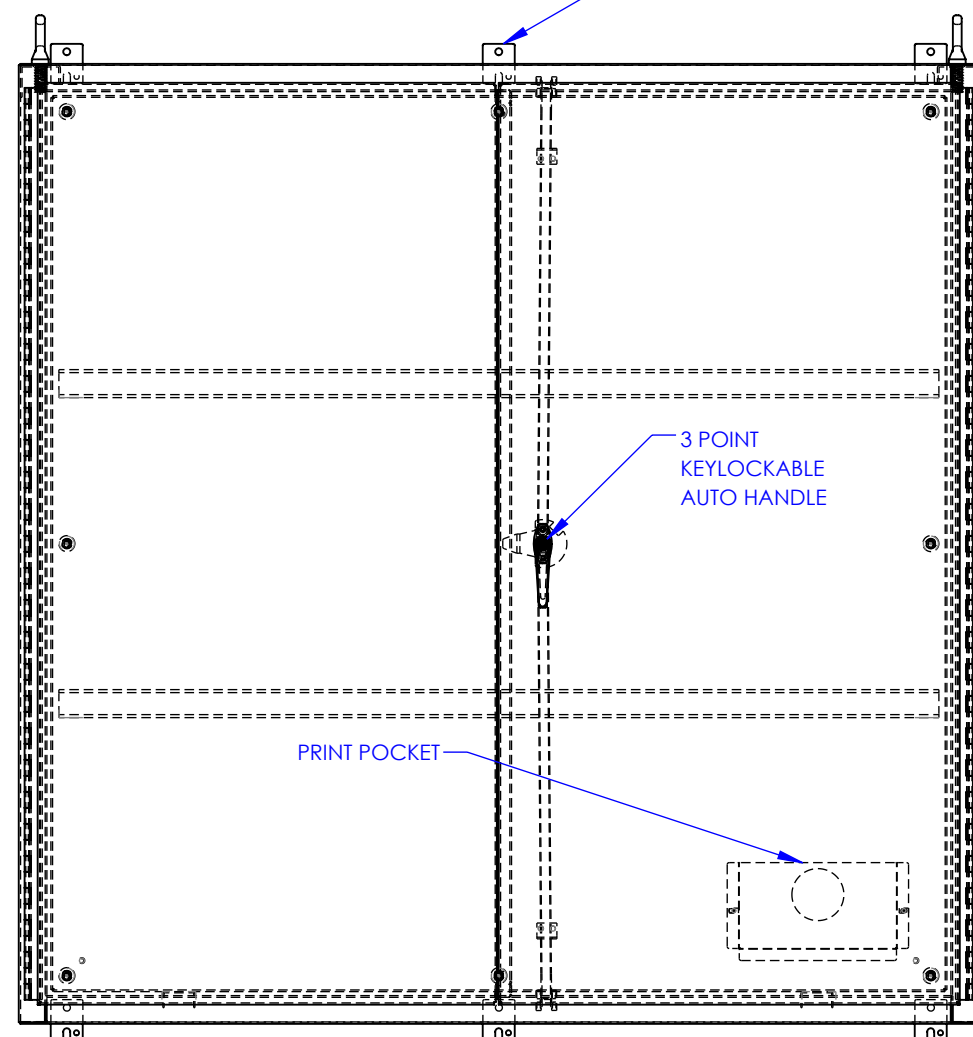
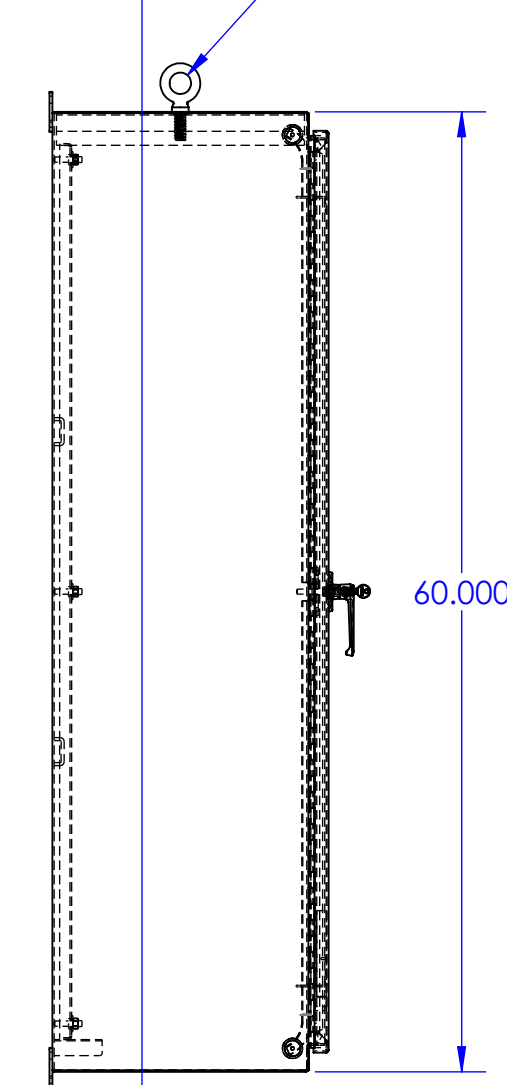
REVISIONS			
REV.	DESCRIPTION	DATE	APPROVED

Ø .438
X8 FOR
OPTIONAL
MOUNTING FEET

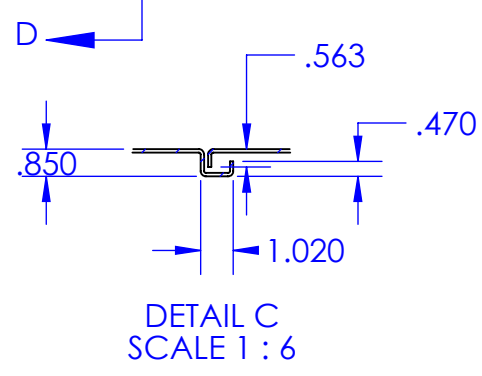


5/8 EYEBOLTS

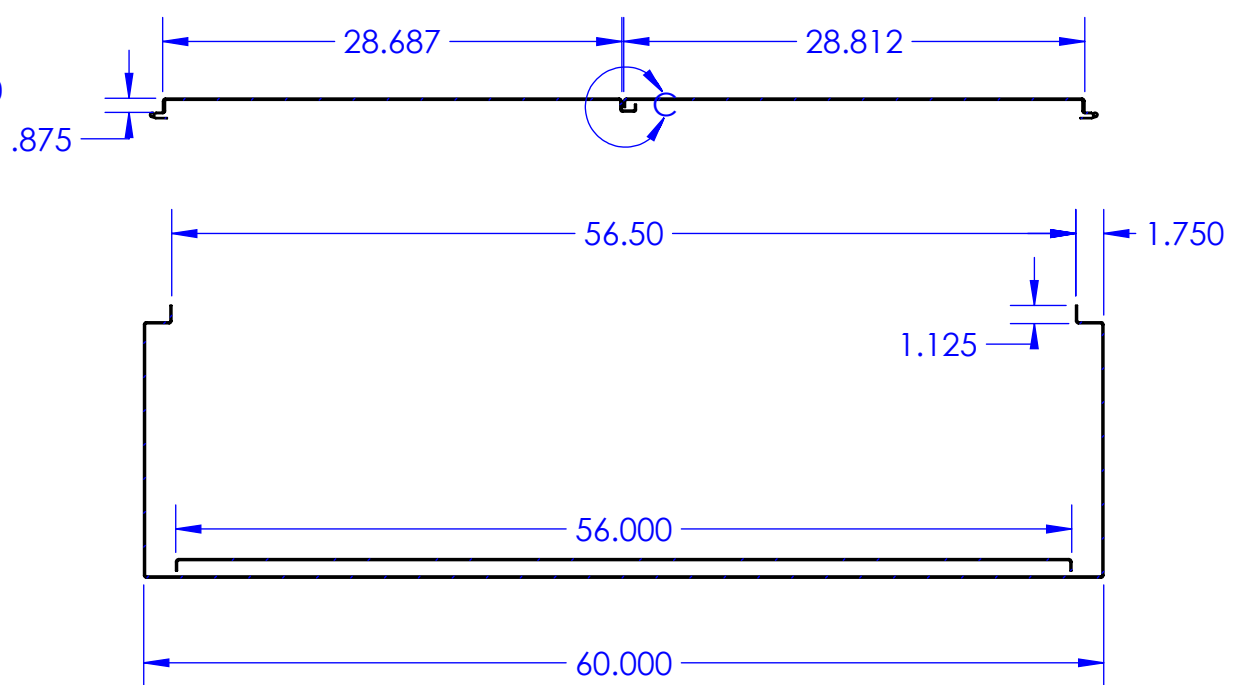
WALL MOUNTING BRACKETS



SECTION D-D



DETAIL C
SCALE 1 : 6



<p>PROPRIETARY AND CONFIDENTIAL</p> <p>THE INFORMATION CONTAINED IN THIS DRAWING IS THE SOLE PROPERTY OF RALSTON METAL PRODUCTS. ANY REPRODUCTION IN PART OR AS A WHOLE WITHOUT THE WRITTEN PERMISSION OF RALSTON METAL PRODUCTS IS PROHIBITED.</p> <p>UNLESS OTHERWISE SPECIFIED</p> <p>DIMENSIONS ARE IN INCHES</p> <p>TOLERANCES:</p> <p>FRACTIONAL ±1/32"</p> <p>ANGULAR ±MACH 1"</p> <p>ONE PLACE DECIMAL ±0.1"</p> <p>TWO PLACE DECIMAL ±0.01"</p> <p>THREE PLACE DECIMAL ±0.005"</p> <p>MATERIAL:</p>	NAME	DATE	<p>50 WATSON ROAD QUEBEC, ONTARIO N1L 1E2 PHONE: (519) 836-2969 TOLL FREE: 1-800-265-7611 FAX: (519) 836-9793 WWW.RALSTONMETAL.COM</p>
	DRAWN BY		
	ISSUED BY		
	JOB ORDER NO.		
SEE BOM	CUSTOMER DRAWING NO.		SHOP DRAWING NUMBER:
FINISH:	(AUTHORIZED SIGNATURE IN RED)		SIZE PART NAME:
SEE BOM			C N12-DD-606016
DO NOT SCALE DRAWING	THIRD ANGLE PROJECTION		PART NO. N12-DD-606016 - DRAWING
			SCALE: 1:12 WEIGHT: 154.862 SHEET 1 OF 1