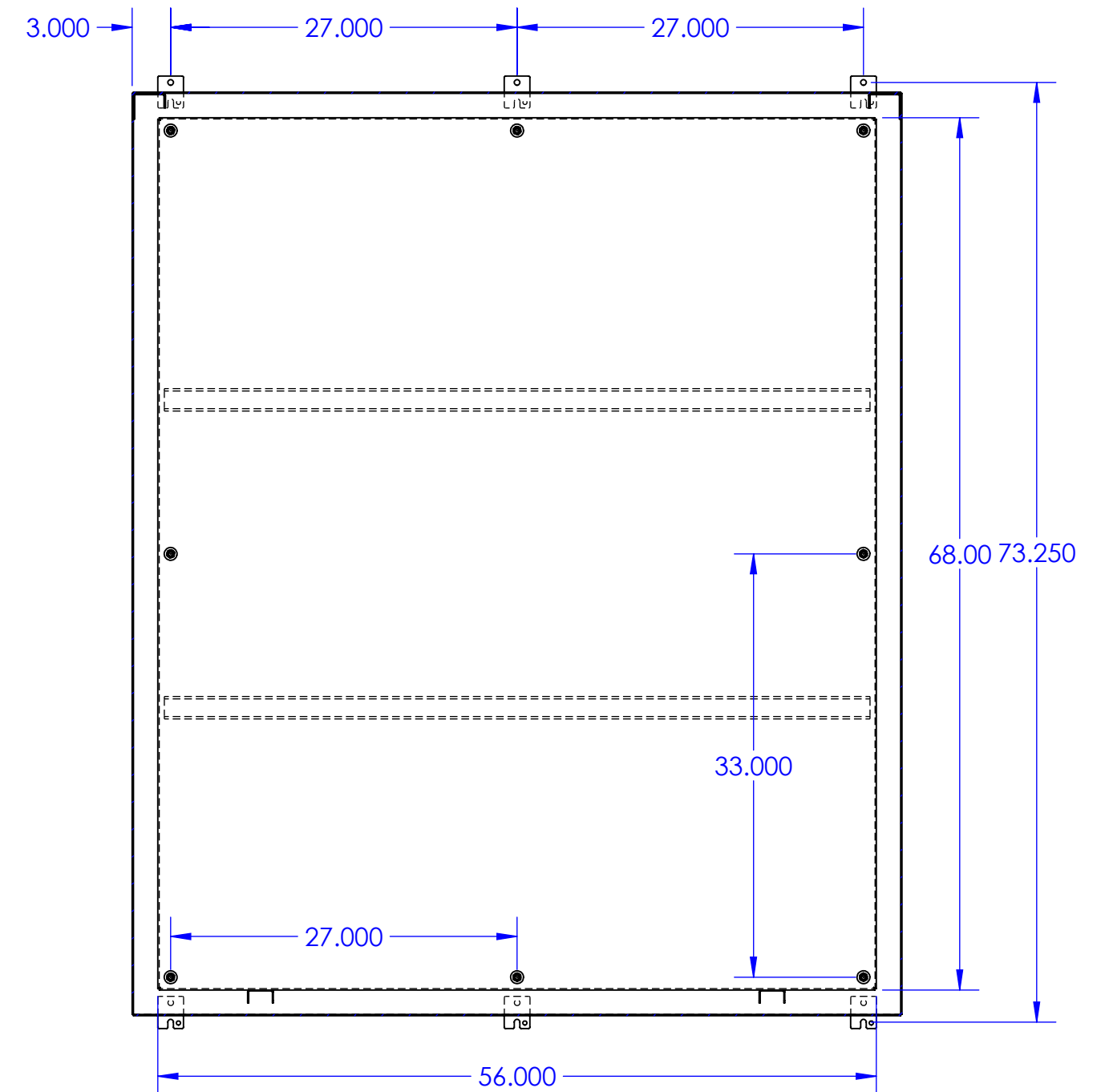
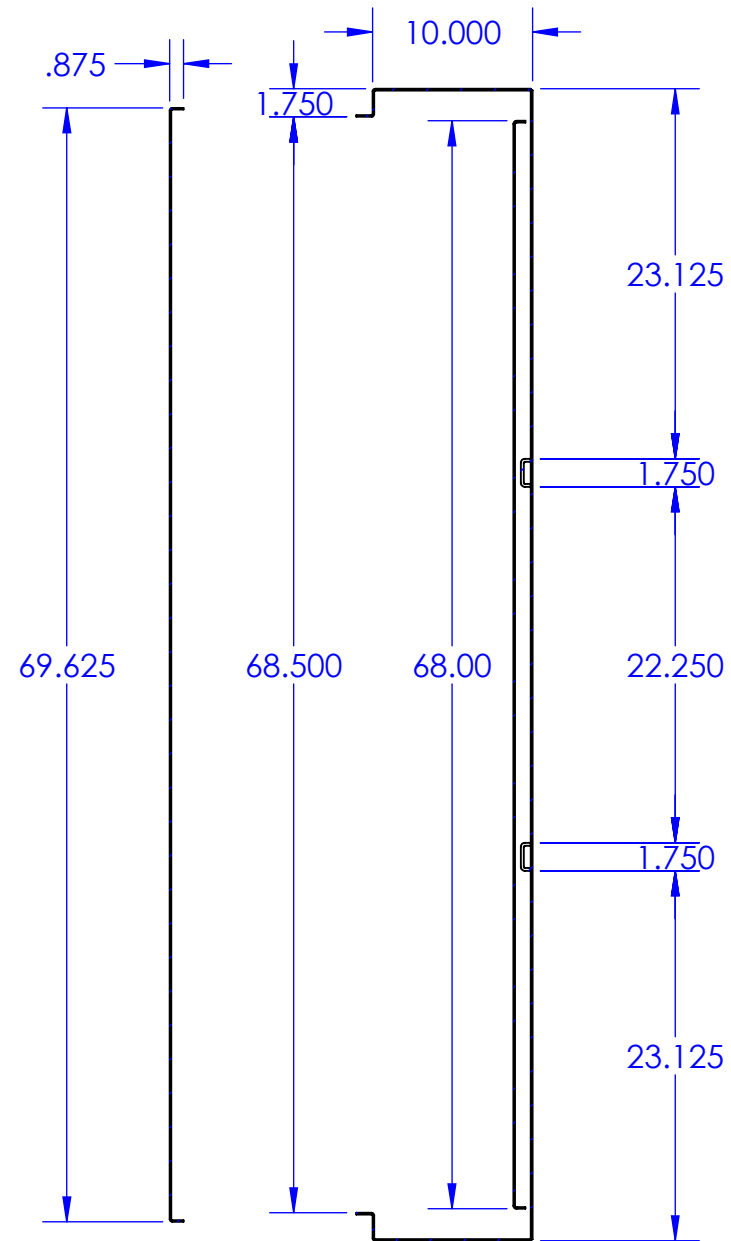
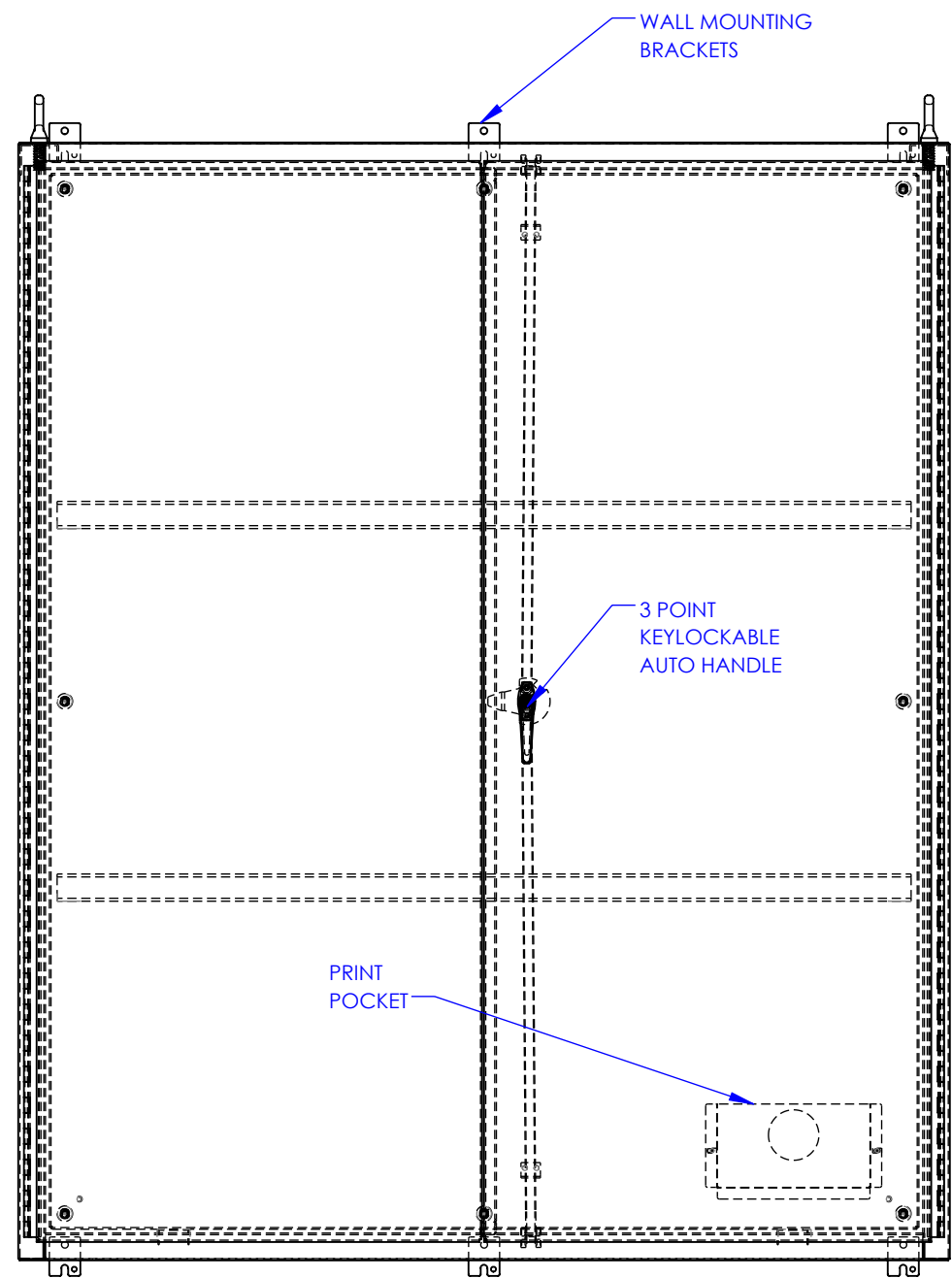
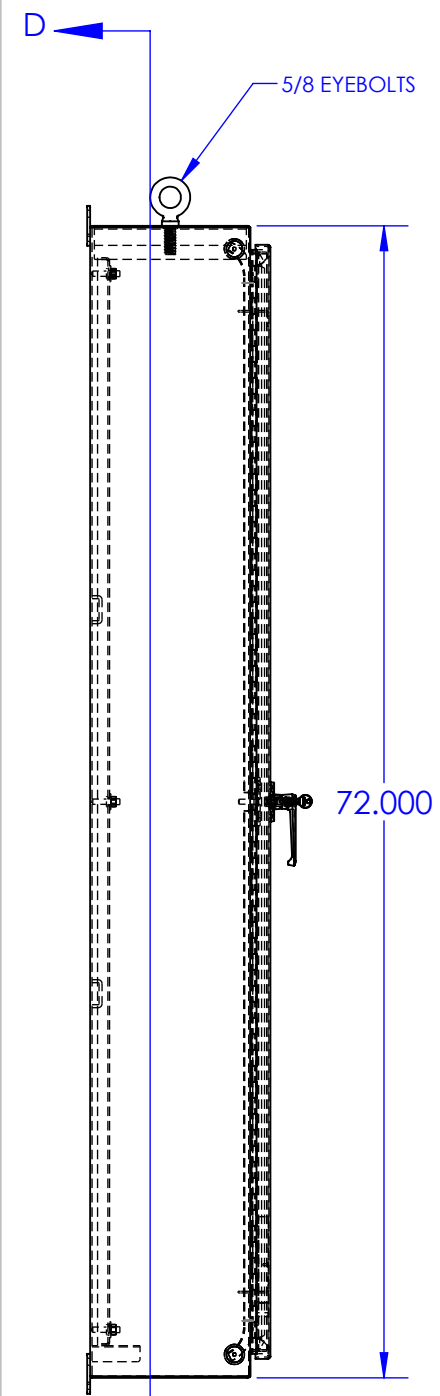
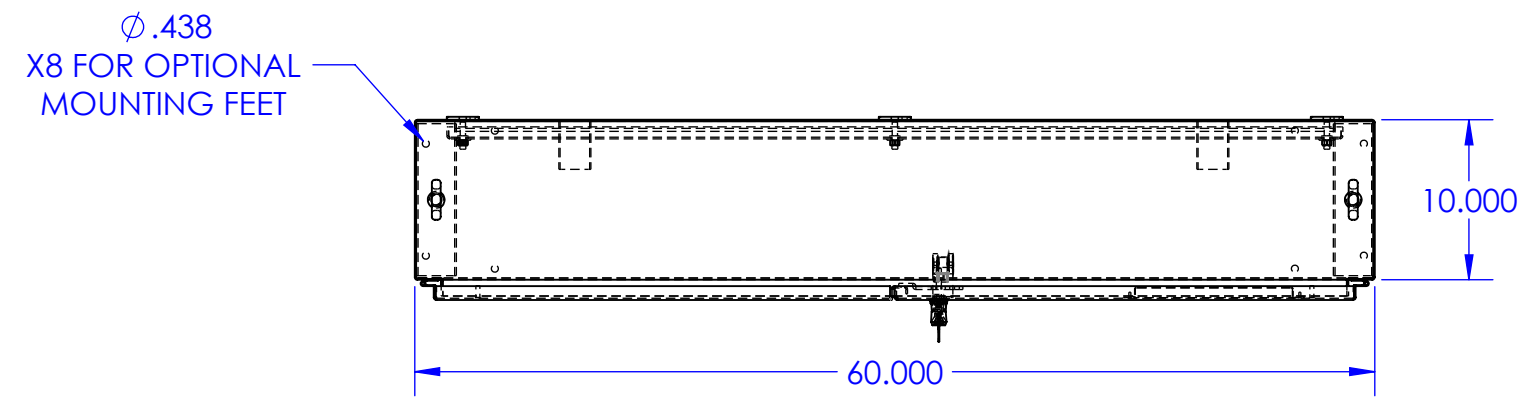
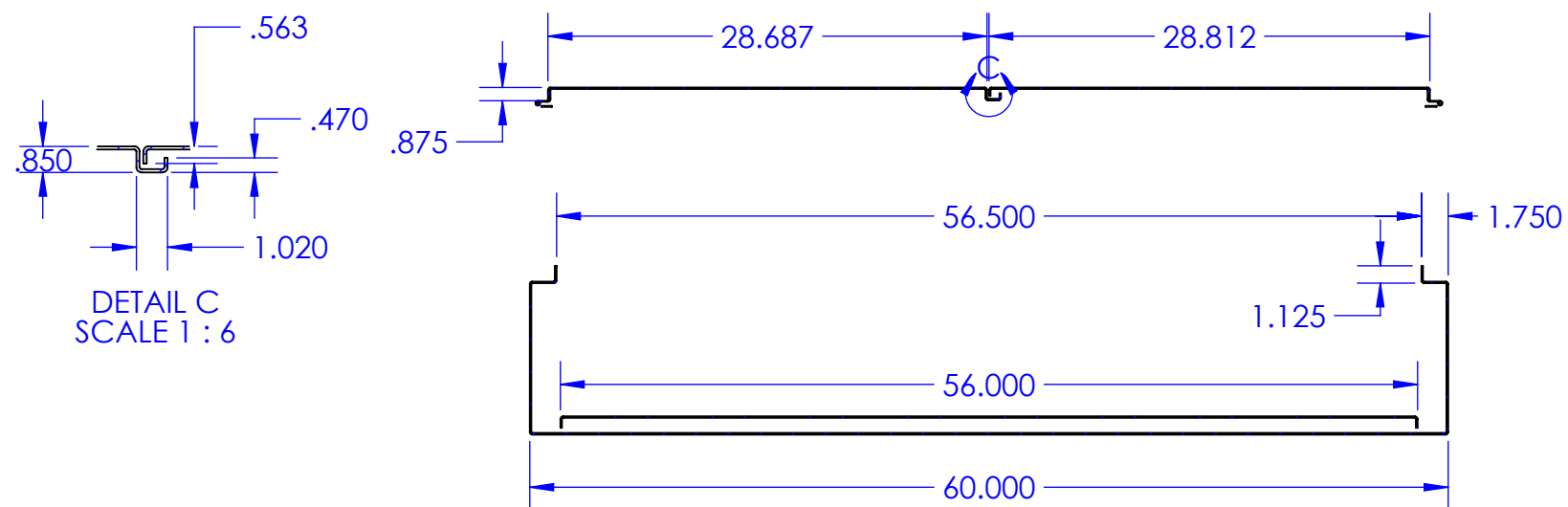


| REVISIONS | | | |
|-----------|-------------|------|----------|
| REV. | DESCRIPTION | DATE | APPROVED |
| | | | |



SECTION D-D



| | | | |
|--|---|---|--|
| <p>PROPRIETARY AND CONFIDENTIAL</p> <p>THE INFORMATION CONTAINED IN THIS DRAWING IS THE SOLE PROPERTY OF RALSTON METAL PRODUCTS. ANY REPRODUCTION IN PART OR AS A WHOLE WITHOUT THE WRITTEN PERMISSION OF RALSTON METAL PRODUCTS IS PROHIBITED.</p> <p>UNLESS OTHERWISE SPECIFIED</p> <p>DIMENSIONS ARE IN INCHES</p> <p>TOLERANCES:</p> <p>FRACTIONAL $\pm 1/32"$</p> <p>ANGULAR $\pm 1/32"$</p> <p>BEND $\pm 1/32"$</p> <p>TWO PLACE DECIMAL $\pm 0.1"$</p> <p>THREE PLACE DECIMAL $\pm 0.005"$</p> <p>MATERIAL:</p> <p>SEE BOM</p> <p>FINISH:</p> <p>SEE BOM</p> <p>DO NOT SCALE DRAWING</p> | <p>NAME</p> <p>DATE</p> | <p>50 WATSON ROAD QUELPH, ONTARIO N1L 1E2 PHONE: (519) 836-2969 TOLL FREE: 1-800-265-7611 FAX: (519) 836-9793</p> | |
| | <p>DRAWN BY</p> <p>ISSUED BY</p> <p>JOB ORDER NO.</p> | <p>Ralston Metal Products Limited</p> | <p>CUSTOMER:</p> |
| | <p>CUSTOMER DRAWING NO.</p> | <p>SHOP DRAWING NUMBER:</p> | <p>SIZE PART NAME:</p> <p>C N12-DD-726010</p> |
| | <p>(AUTHORIZED SIGNATURE IN RED)</p> | <p>SCALE: 1:12</p> <p>WEIGHT: 177.541</p> <p>SHEET 1 OF 1</p> | <p>REV.:</p> <p>-</p> |