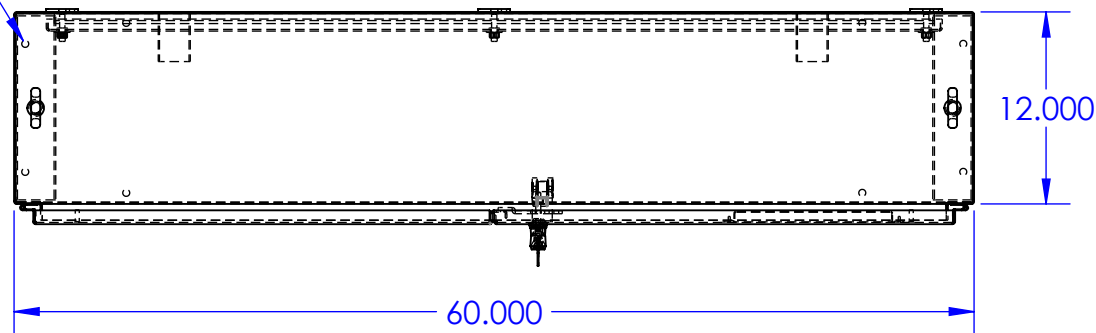


REVISIONS			
REV.	DESCRIPTION	DATE	APPROVED

Ø .438
X8 FOR OPTIONAL
MOUNTING FEET

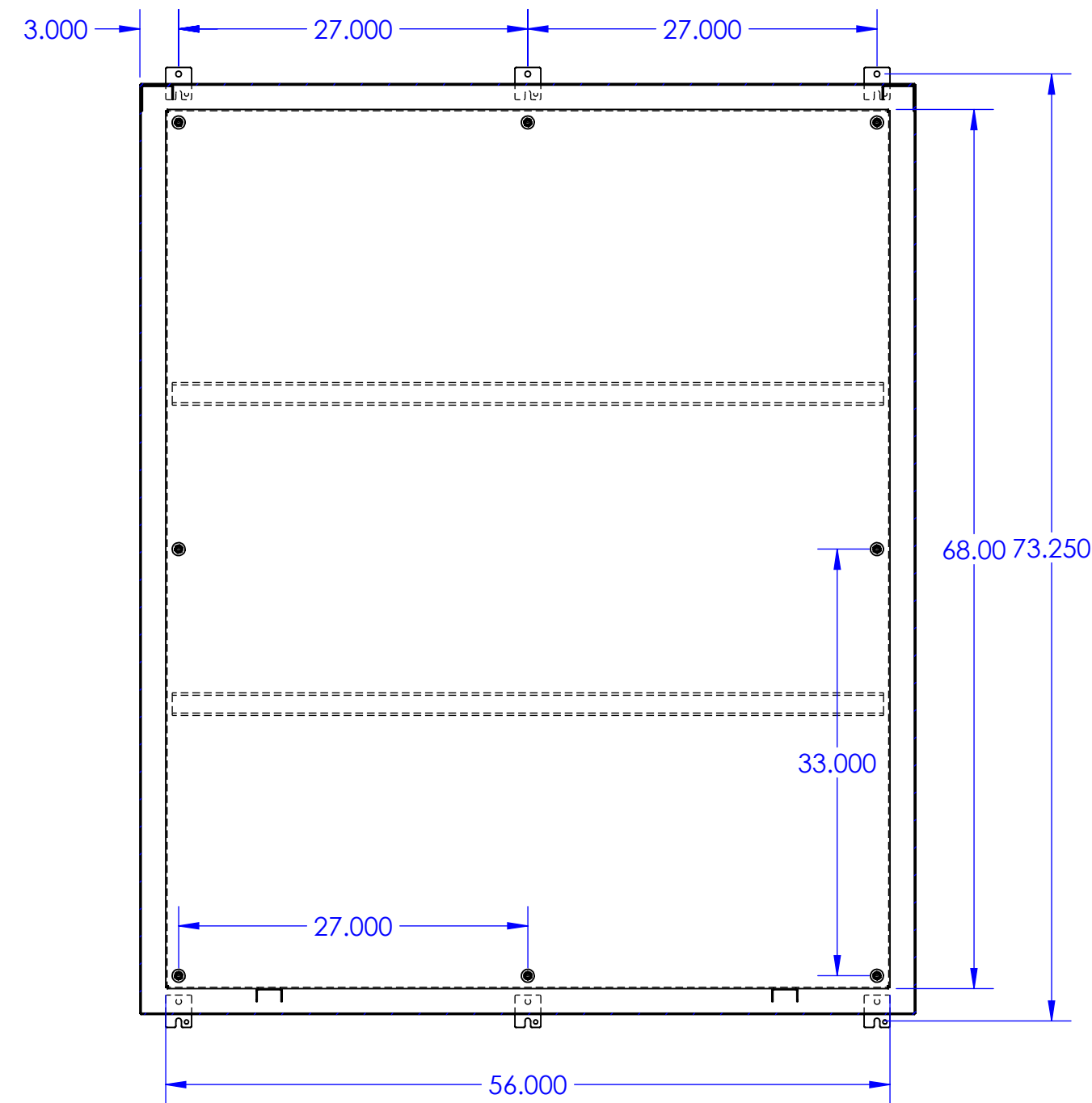
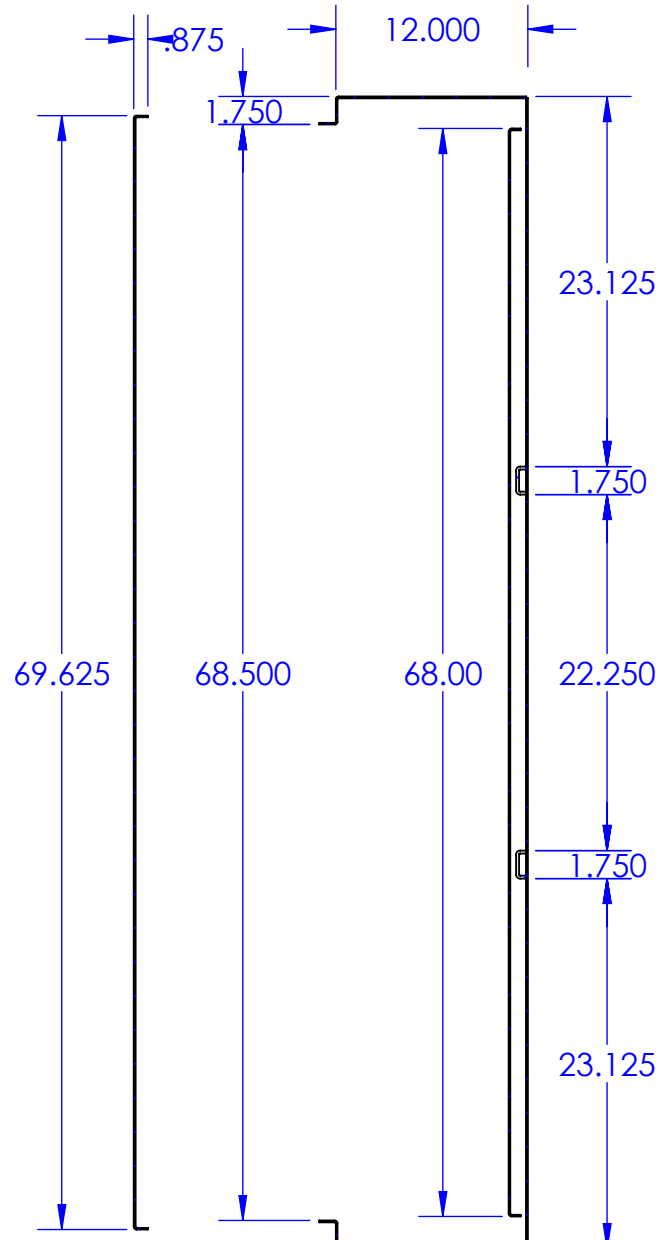
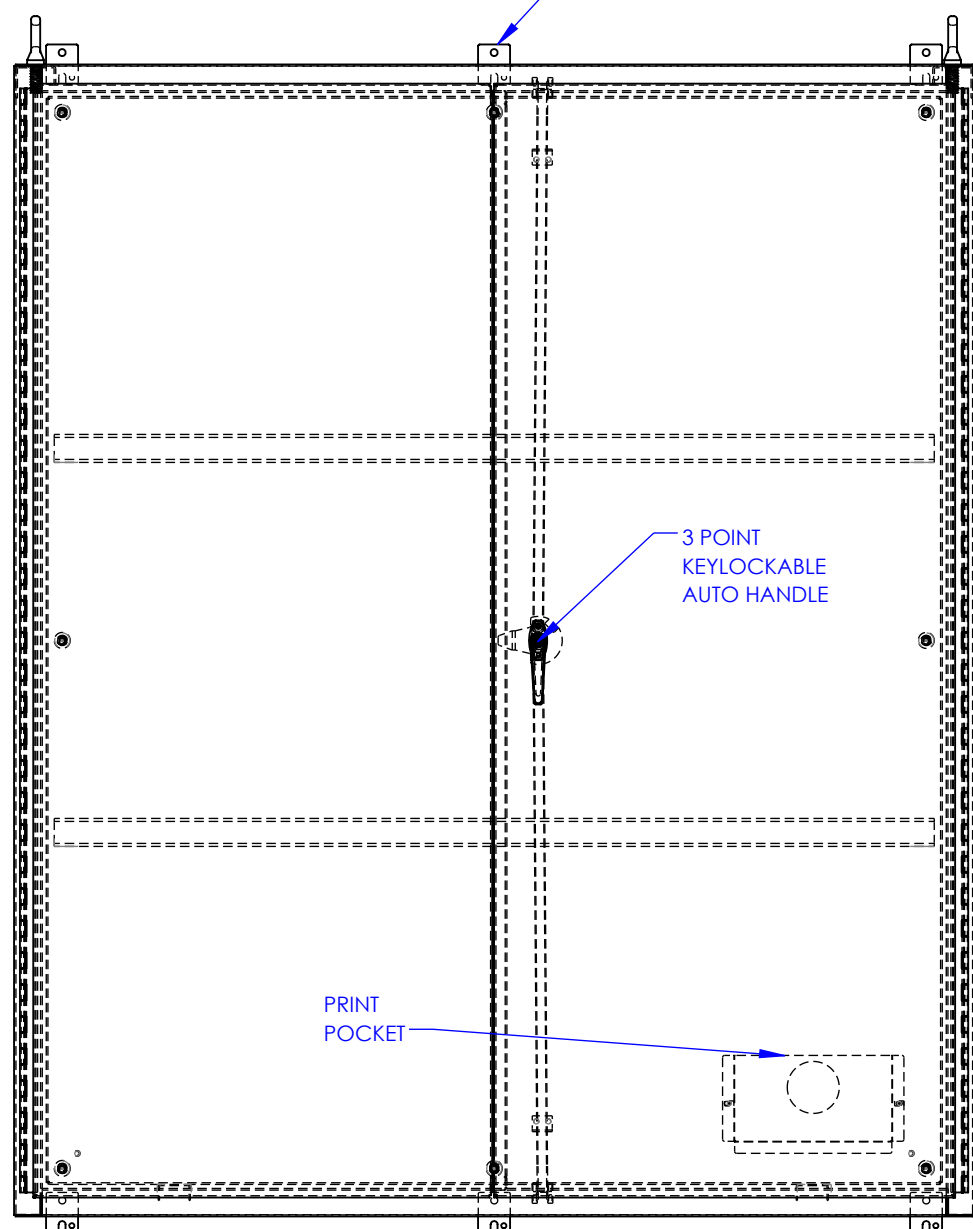
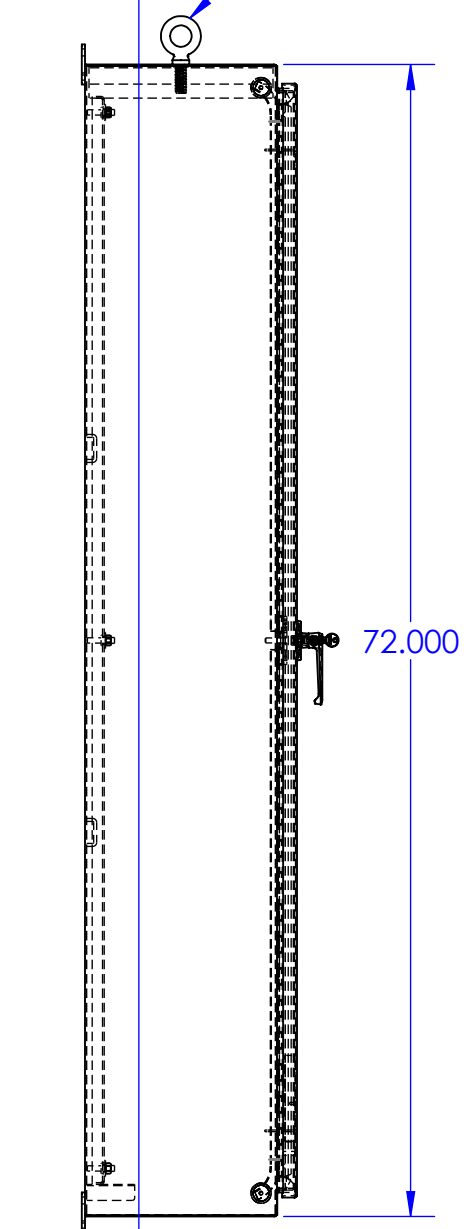


5/8 EYEBOLTS

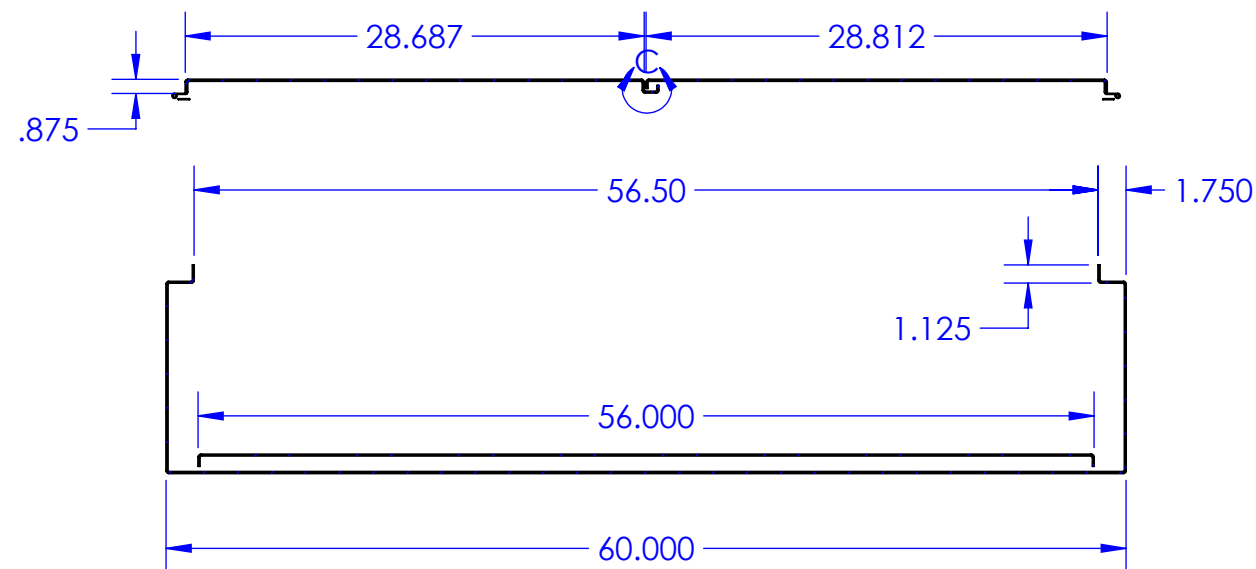
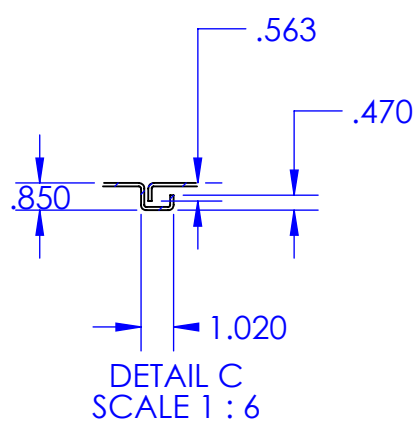
WALL MOUNTING
BRACKET

3 POINT
KEYLOCKABLE
AUTO HANDLE

PRINT
POCKET



SECTION D-D



<p>PROPRIETARY AND CONFIDENTIAL</p> <p>THE INFORMATION CONTAINED IN THIS DRAWING IS THE SOLE PROPERTY OF RALSTON METAL PRODUCTS. ANY REPRODUCTION IN PART OR AS A WHOLE WITHOUT THE WRITTEN PERMISSION OF RALSTON METAL PRODUCTS IS PROHIBITED.</p> <p>UNLESS OTHERWISE SPECIFIED</p> <p>DIMENSIONS ARE IN INCHES</p> <p>TOLERANCES:</p> <p>FRACTIONAL ± 1/32"</p> <p>ANGULAR ± 0.01°</p> <p>ONE PLACE DECIMAL ± 0.1"</p> <p>TWO PLACE DECIMAL ± 0.01"</p> <p>THREE PLACE DECIMAL ± 0.002"</p> <p>MATERIAL:</p>	<p>NAME</p> <p>DATE</p>	<p>50 WATSON ROAD QUELPS, ONTARIO N1L 1E2 PHONE: (519) 836-2969 TOLL FREE: 1-800-265-7611 FAX: (519) 836-9793</p>	
	<p>DRAWN BY</p> <p>ISSUED BY</p> <p>JOB ORDER NO.</p>	<p>Ralston Metal Products Limited</p>	<p>CUSTOMER:</p>
	<p>CUSTOMER DRAWING NO.</p>	<p>SHOP DRAWING NUMBER:</p>	<p>SIZE PART NAME:</p>
	<p>SEE BOM</p> <p>FINISH:</p> <p>SEE BOM</p> <p>DO NOT SCALE DRAWING</p>	<p>(AUTHORIZED SIGNATURE IN RED)</p> <p>THIRD ANGLE PROJECTION</p>	<p>REV. -</p> <p>C N12-DD-726012</p> <p>PART NO. N12-DD-726012 - DRAWING</p> <p>SCALE: 1:12 WEIGHT: 179.619 SHEET 1 OF 1</p>