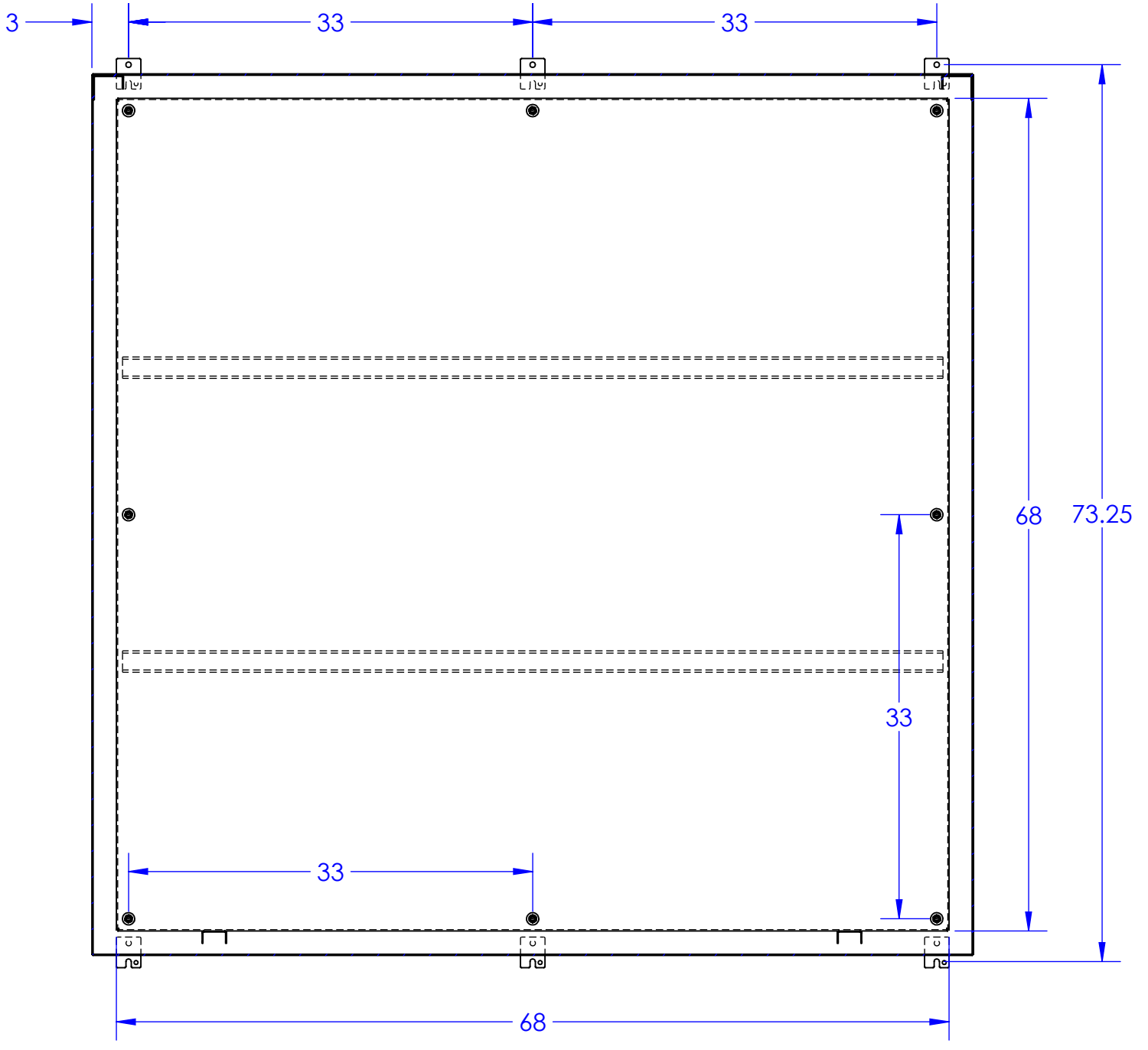
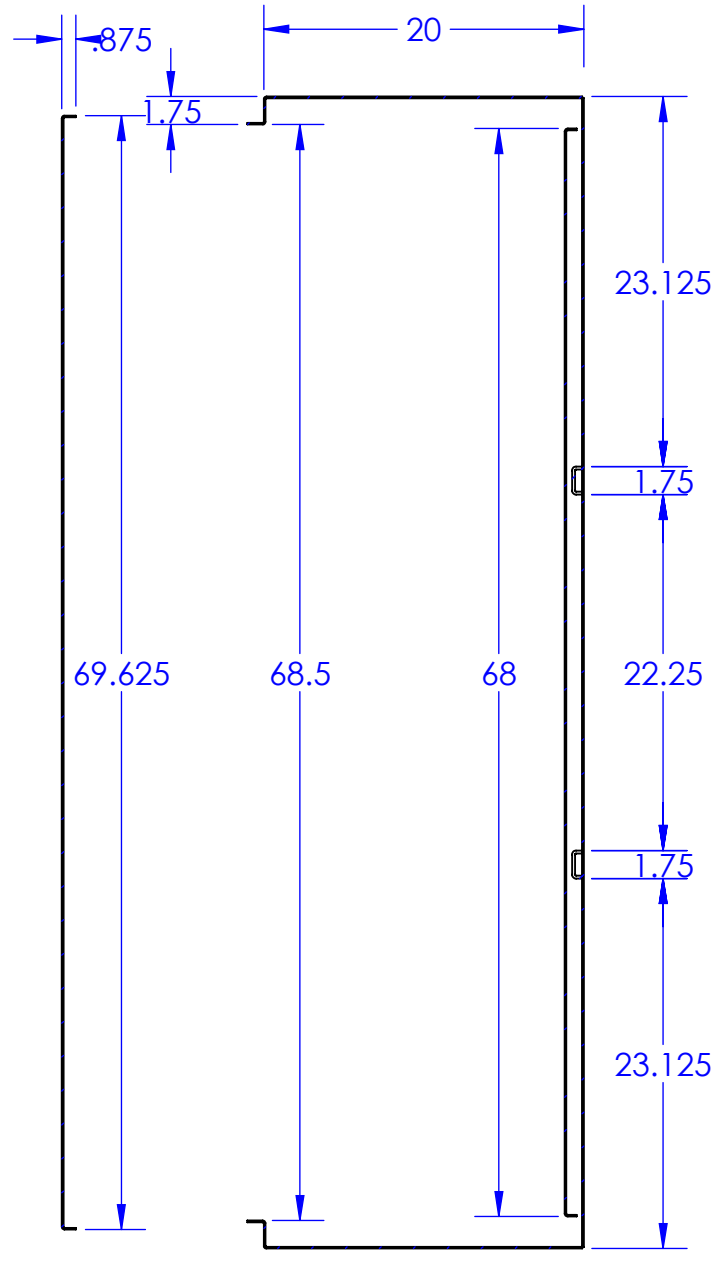
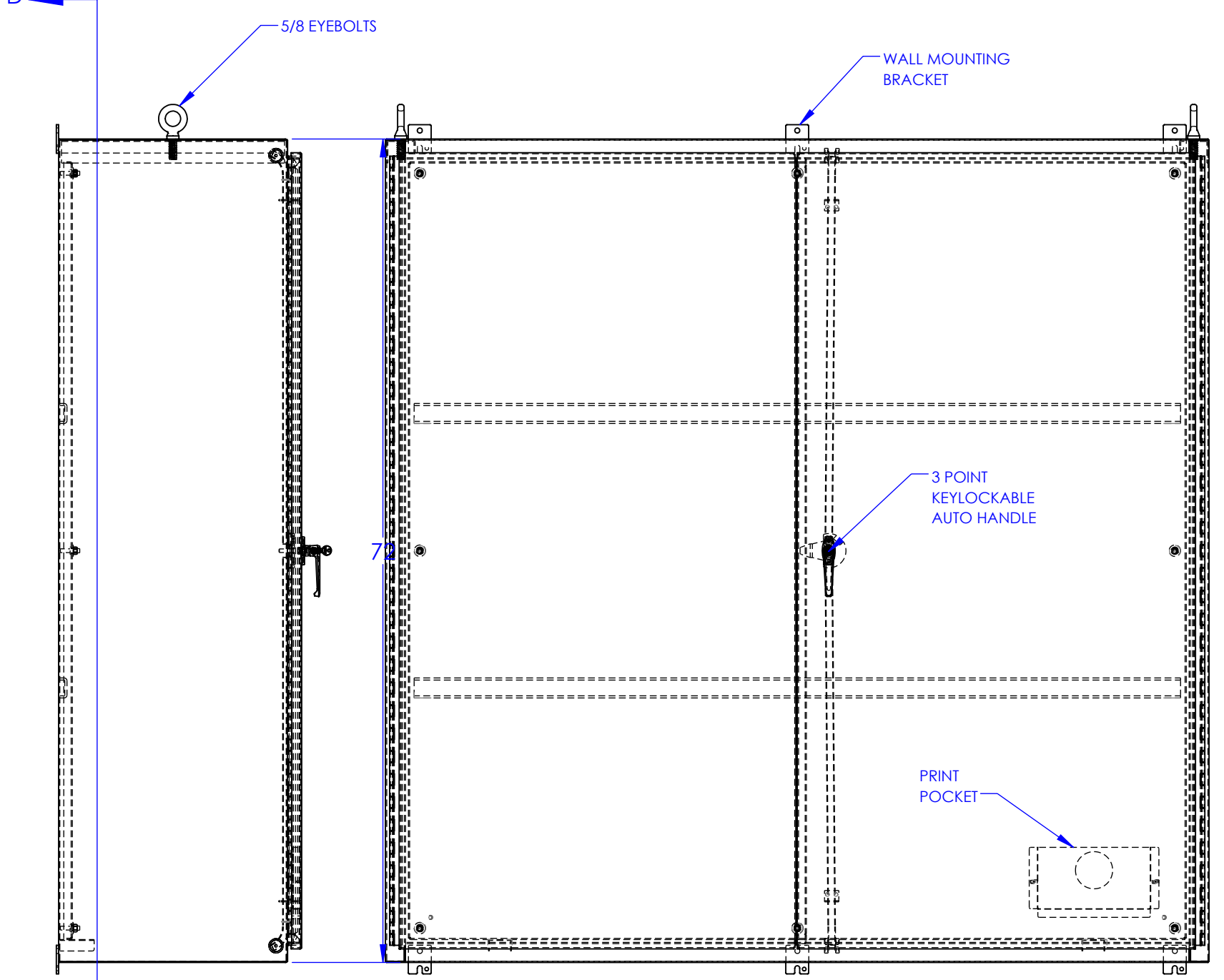
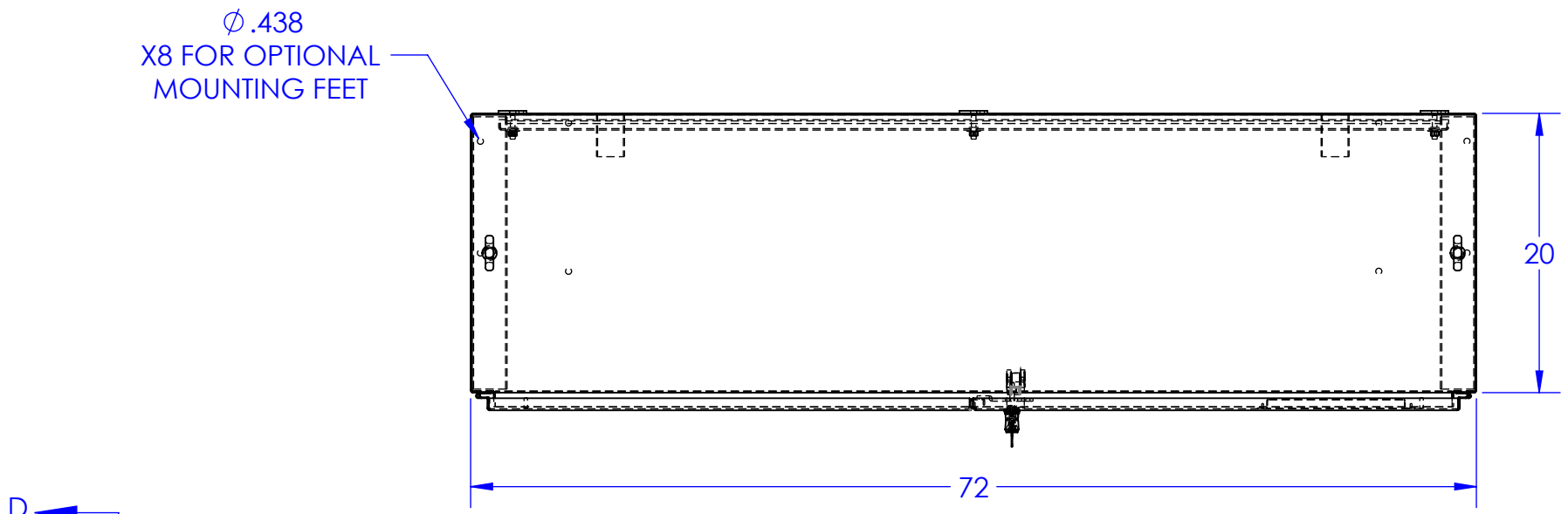
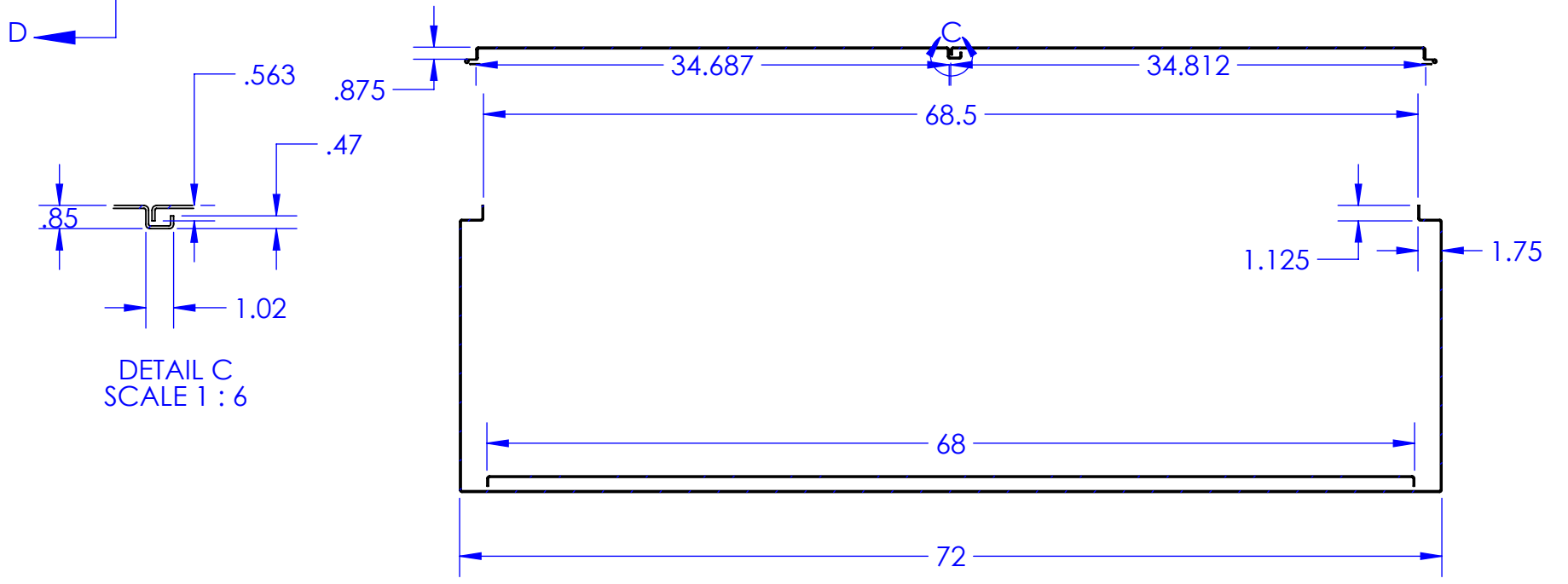


REVISIONS			
REV.	DESCRIPTION	DATE	APPROVED



SECTION D-D



<small>PROPRIETARY AND CONFIDENTIAL</small> <small>THE INFORMATION CONTAINED IN THIS DRAWING IS THE SOLE PROPERTY OF RALSTON METAL PRODUCTS. ANY REPRODUCTION IN PART OR AS A WHOLE WITHOUT THE WRITTEN PERMISSION OF RALSTON METAL PRODUCTS IS PROHIBITED.</small>	NAME	DATE		<small>50 WATSON ROAD</small> <small>QUEBEC, ONTARIO N1L 1E2</small> <small>PHONE: (519) 836-2968</small> <small>TOLL FREE: 1-800-265-7611</small> <small>FAX: (519) 836-9793</small>	
	DRAWN BY			CUSTOMER:	
<small>UNLESS OTHERWISE SPECIFIED</small> <small>DIMENSIONS ARE IN INCHES</small> <small>TOLERANCES:</small> <small>FRACTIONAL ± 1/32"</small> <small>ANGULAR ± 0.1°</small> <small>BEND ± 1/32"</small> <small>ONE PLACE DECIMAL ± 0.1"</small> <small>TWO PLACE DECIMAL ± 0.01"</small> <small>THREE PLACE DECIMAL ± 0.005"</small> <small>MATERIAL:</small>	ISSUED BY		<small>CUSTOMER DRAWING NO.:</small> <small>SHOP DRAWING NUMBER:</small> <small>SIZE PART NAME:</small> C N12-DD-727220	REV.	-
	JOB ORDER NO.			<small>(AUTHORIZED SIGNATURE IN RED)</small> 	<small>PART NO.</small> N12-DD-727220 - DRAWING
<small>SEE BOM</small> <small>FINISH:</small> <small>SEE BOM</small> <small>DO NOT SCALE DRAWING</small>	<small>THIRD ANGLE PROJECTION</small> 	<small>SCALE:</small> 1:12	<small>WEIGHT:</small> 221.348	<small>SHEET 1 OF 1</small>	