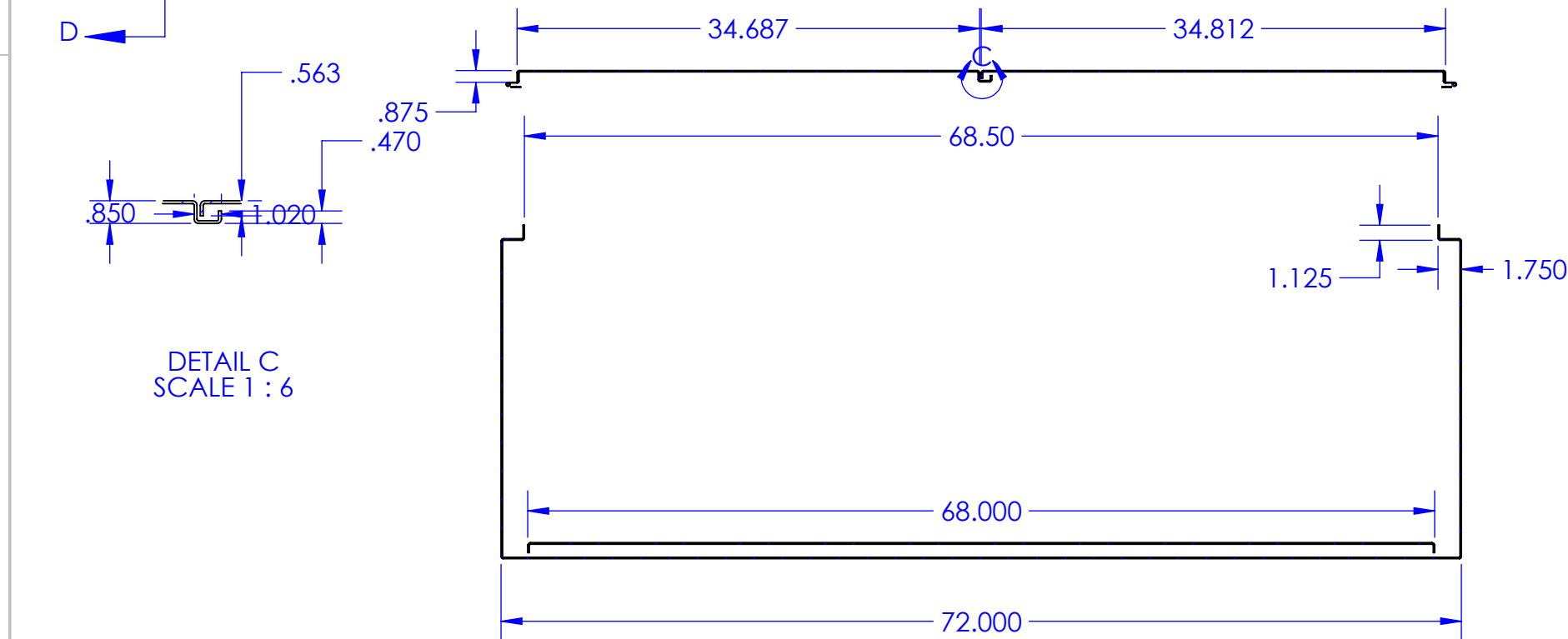
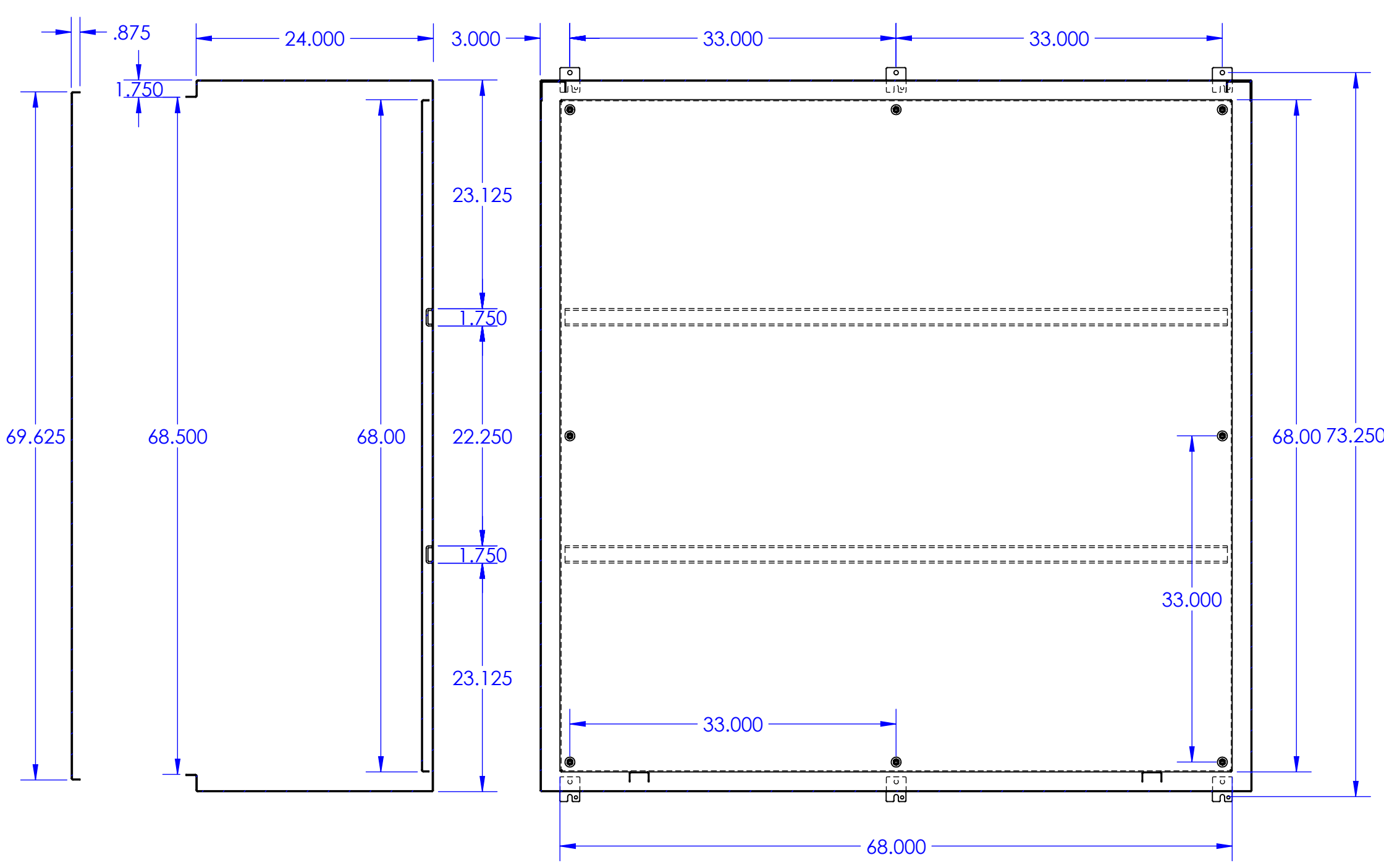
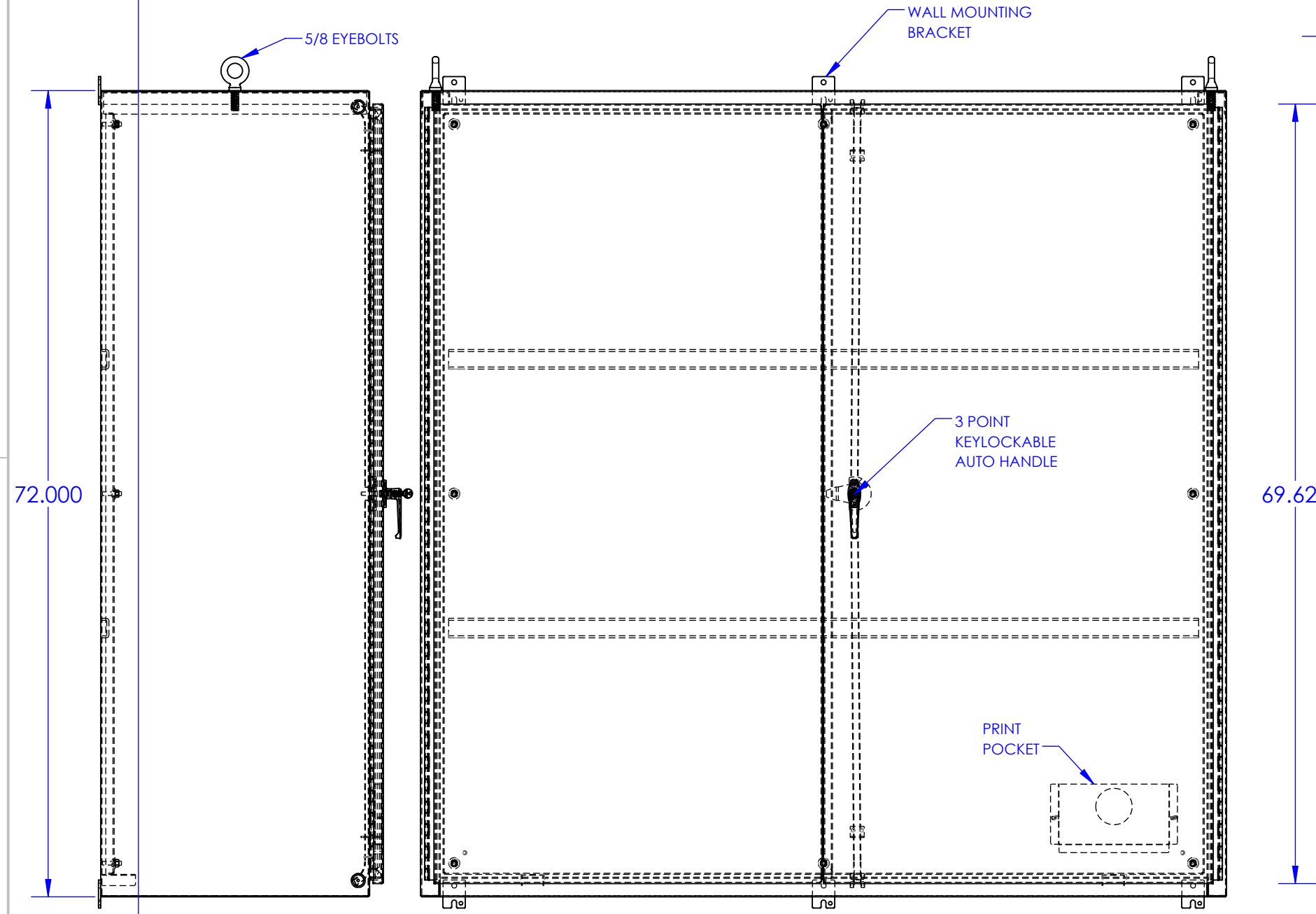
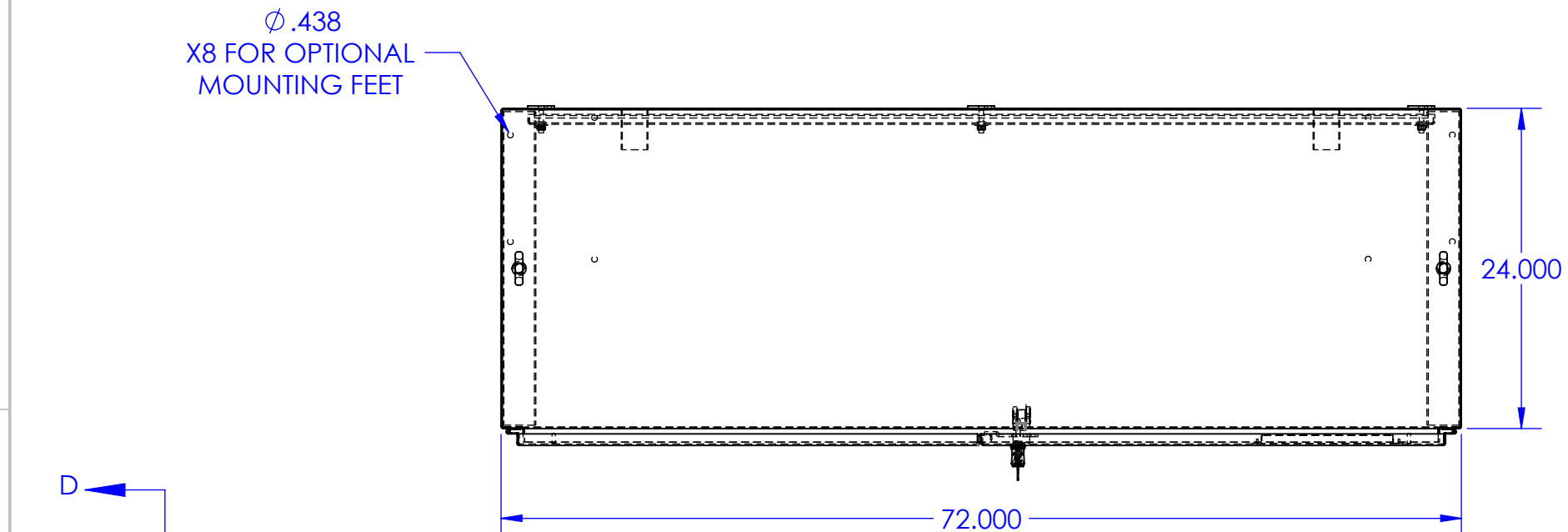


| REVISIONS | | | |
|-----------|-------------|------|----------|
| REV. | DESCRIPTION | DATE | APPROVED |
| | | | |



| | | | |
|---|---|---|---|
| <p>PROPRIETARY AND CONFIDENTIAL</p> <p>THE INFORMATION CONTAINED IN THIS DRAWING IS THE SOLE PROPERTY OF RALSTON METAL PRODUCTS. ANY REPRODUCTION IN PART OR AS A WHOLE WITHOUT THE WRITTEN PERMISSION OF RALSTON METAL PRODUCTS IS PROHIBITED.</p> <p>UNLESS OTHERWISE SPECIFIED</p> <p>DIMENSIONS ARE IN INCHES</p> <p>TOLERANCES:</p> <p>FRACTIONAL ± 1/32"</p> <p>ANGULAR ± 0.001"</p> <p>ONE PLACE DECIMAL ± 0.1"</p> <p>TWO PLACE DECIMAL ± 0.01"</p> <p>THREE PLACE DECIMAL ± 0.002"</p> <p>MATERIAL:</p> <p>SEE BOM</p> <p>FINISH:</p> <p>SEE BOM</p> <p>DO NOT SCALE DRAWING</p> | <p>NAME</p> <p>DATE</p> | <p>50 WATSON ROAD</p> <p>QUELPS, ONTARIO N1L 1E2</p> <p>PHONE: (519) 836-2968</p> <p>TOLL FREE: 1-800-265-7611</p> <p>FAX: (519) 836-9793</p> | |
| | <p>DRAWN BY</p> <p>ISSUED BY</p> <p>JOB ORDER NO.</p> | <p>CUSTOMER</p> <p>Ralston</p> <p>Metal Products Limited</p> <p>www.RALSTONMETAL.COM</p> | <p>CUSTOMER DRAWING NO.</p> <p>SHOP DRAWING NUMBER:</p> |
| | <p>(AUTHORIZED SIGNATURE IN RED)</p> | <p>SIZE</p> <p>PART NAME:</p> <p>C N12-DD-727224</p> <p>REV.</p> | <p>PART NO. N12-DD-727224 - DRAWING</p> <p>SCALE: 1:12</p> <p>WEIGHT: 225.868</p> <p>SHEET 1 OF 1</p> |
| | <p>THIRD ANGLE PROJECTION</p> | <p>SCALE: 1:12</p> <p>WEIGHT: 225.868</p> <p>SHEET 1 OF 1</p> | <p>SCALE: 1:12</p> <p>WEIGHT: 225.868</p> <p>SHEET 1 OF 1</p> |