

4

3

2

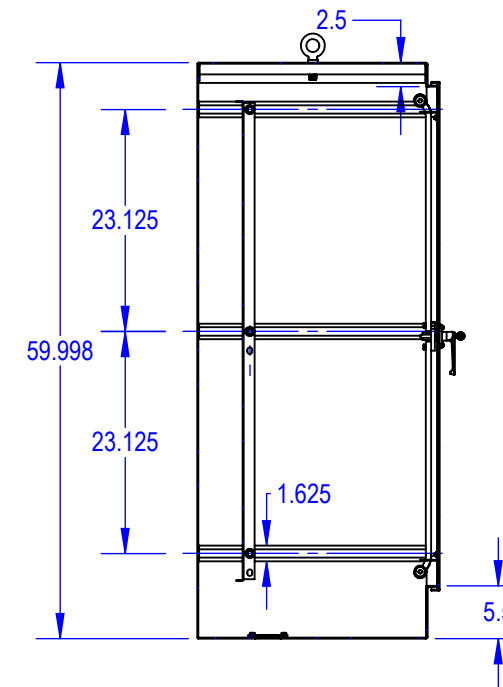
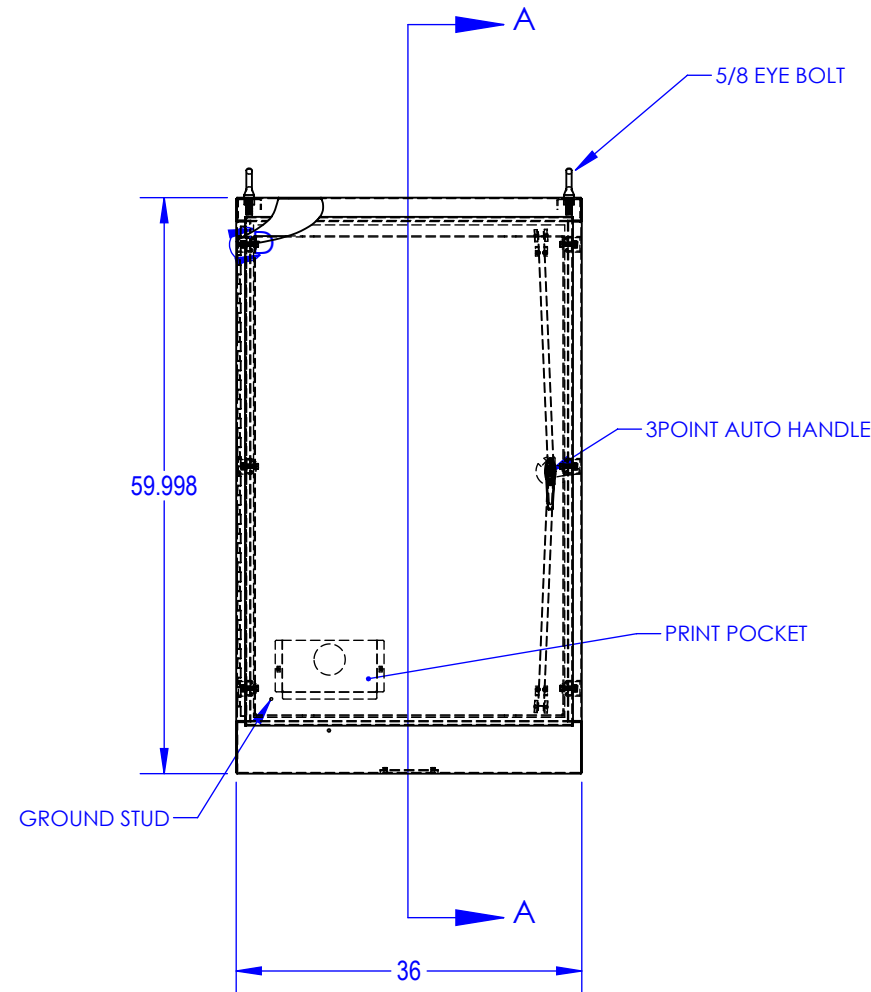
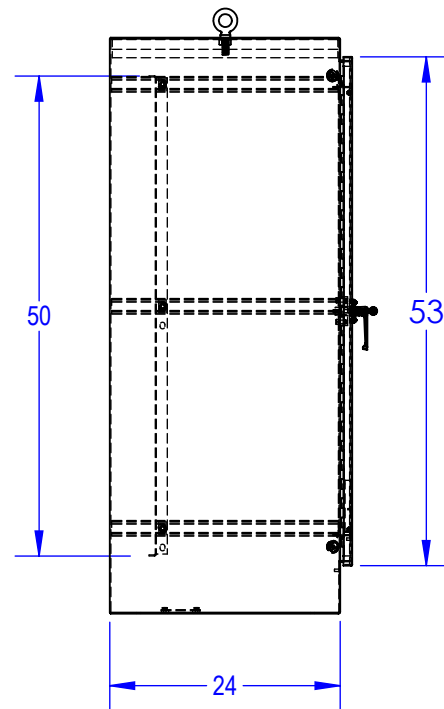
1

REVISIONS

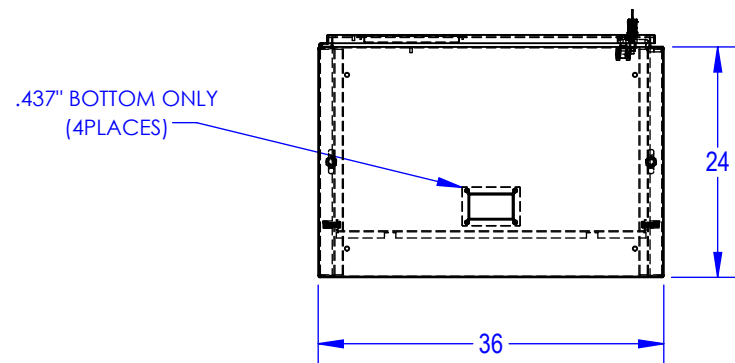
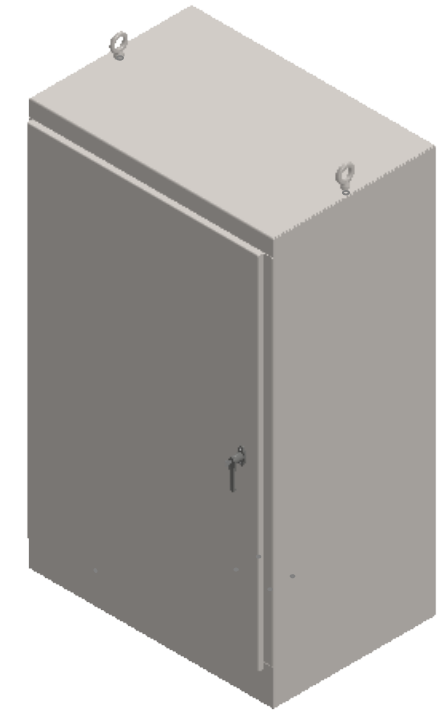
REV.	DESCRIPTION	DATE	APPROVED
------	-------------	------	----------



DETAIL D  
SCALE 1 : 10



SECTION A-A



<b>PROPRIETARY AND CONFIDENTIAL</b> THE INFORMATION CONTAINED IN THIS DRAWING IS THE SOLE PROPERTY OF RALSTON METAL PRODUCTS. ANY REPRODUCTION IN PART OR AS A WHOLE WITHOUT THE WRITTEN PERMISSION OF RALSTON METAL PRODUCTS IS PROHIBITED.  <b>UNLESS OTHERWISE SPECIFIED</b> DIMENSIONS ARE IN INCHES TOLERANCES: FRACTIONAL: ±1/32" ANGULAR: MACH ±1° BEND ±1/32" ONE PLACE DECIMAL ±0.1" TWO PLACE DECIMAL ±0.01" THREE PLACE DECIMAL ±0.005" MATERIAL: SEE BOM FINISH: SEE BOM DO NOT SCALE DRAWING	NAME DAVID CIKURU	DATE 2/25/2019	 50 Watson Road Guelph, Ontario N1L 1E2 Phone: (519) 836-2968 Toll Free: 1-800-265-7611 Fax: (519) 836-9763 www.ralstonmetal.com	
	ISSUED BY	JOB ORDER NO.		CUSTOMER:
	CUSTOMER DRAWING NO.	SHOP DRAWING NUMBER:		SIZE <b>B</b>
	(AUTHORIZED SIGNATURE IN RED) 	PART NAME: <b>FS-603624</b>		REV.
PART NO. <b>FS 603624</b>	SCALE: 1:20	WEIGHT: 339.270	SHEET 1 OF 1	

4

3

2

1

B

B

A

A