

4

3

2

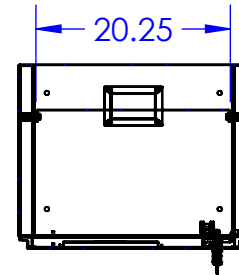
1

REVISIONS

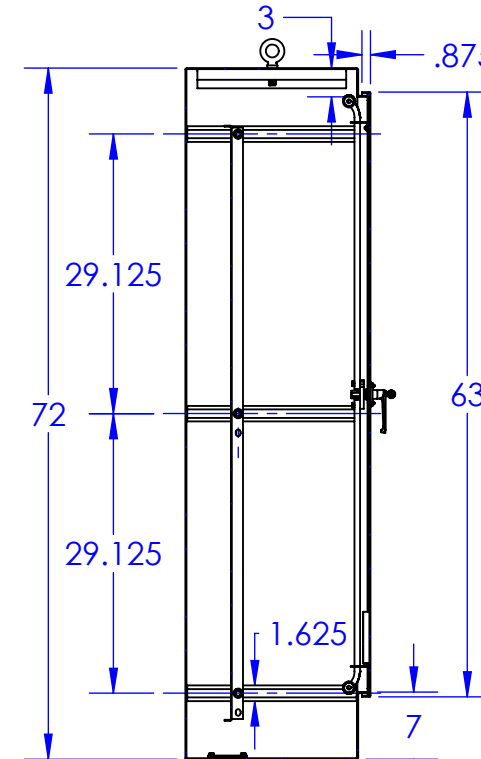
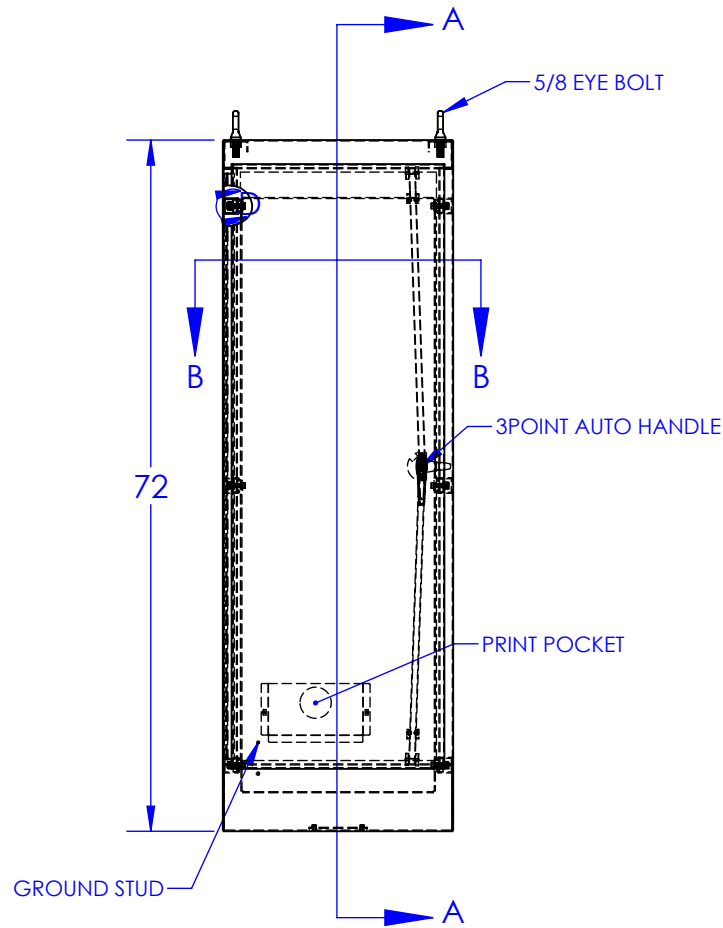
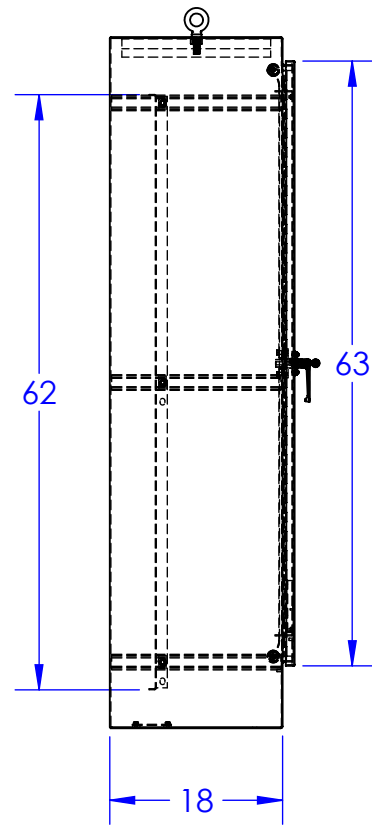
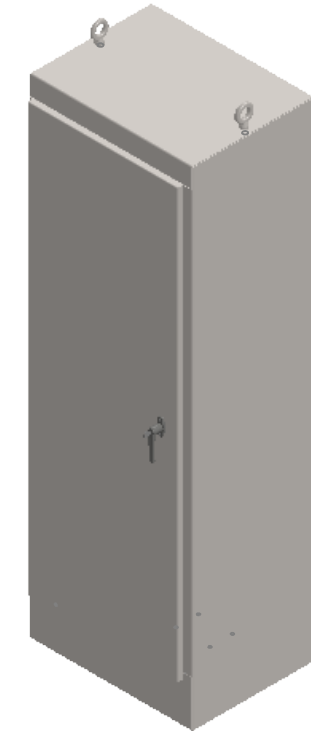
REV.	DESCRIPTION	DATE	APPROVED
------	-------------	------	----------



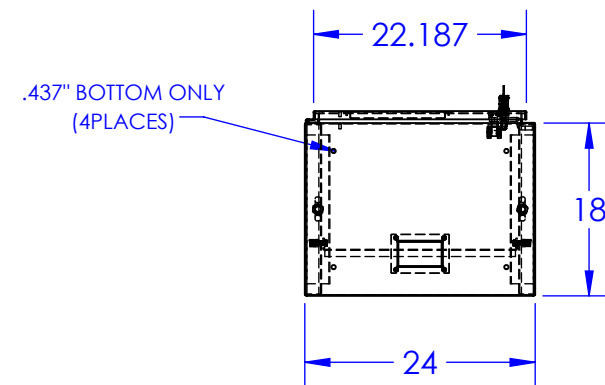
DETAIL D
SCALE 1 : 10



SECTION B-B



SECTION A-A



PROPRIETARY AND CONFIDENTIAL THE INFORMATION CONTAINED IN THIS DRAWING IS THE SOLE PROPERTY OF RALSTON METAL PRODUCTS. ANY REPRODUCTION IN PART OR AS A WHOLE WITHOUT THE WRITTEN PERMISSION OF RALSTON METAL PRODUCTS IS PROHIBITED. UNLESS OTHERWISE SPECIFIED DIMENSIONS ARE IN INCHES TOLERANCES: FRACTIONAL: ±1/32" ANGULAR: MACH ±1° BEND ±1/32" ONE PLACE DECIMAL ±0.1" TWO PLACE DECIMAL ±0.01" THREE PLACE DECIMAL ±0.005" MATERIAL: SEE BOM FINISH: SEE BOM DO NOT SCALE DRAWING	NAME DAVID CIKURU	DATE 2/12/2019		50 Watson Road Guelph, Ontario N1L 1E2 Phone: (519) 836-2968 Toll Free: 1-800-265-7611 Fax: (519) 836-9763 www.ralstonmetal.com
	ISSUED BY	JOB ORDER NO.		CUSTOMER:
	CUSTOMER DRAWING NO.	SHOP DRAWING NUMBER:		SIZE B
	(AUTHORIZED SIGNATURE IN RED) 	PART NAME: FS-722418		REV.
PART NO. FS 722418	SCALE: 1:20	WEIGHT: 268.714	SHEET 1 OF 1	

4

3

2

1

B

B

A

A