

4

3

2

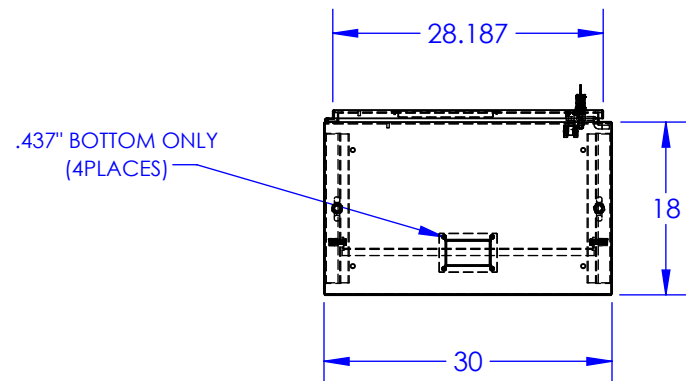
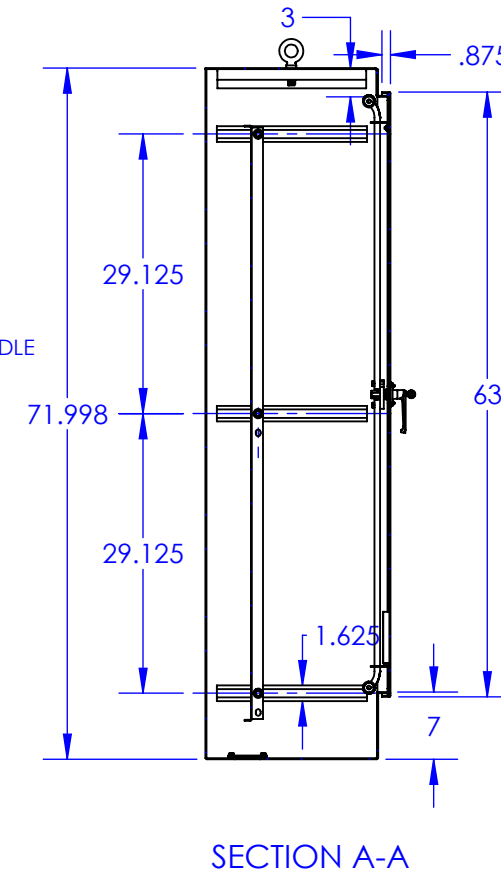
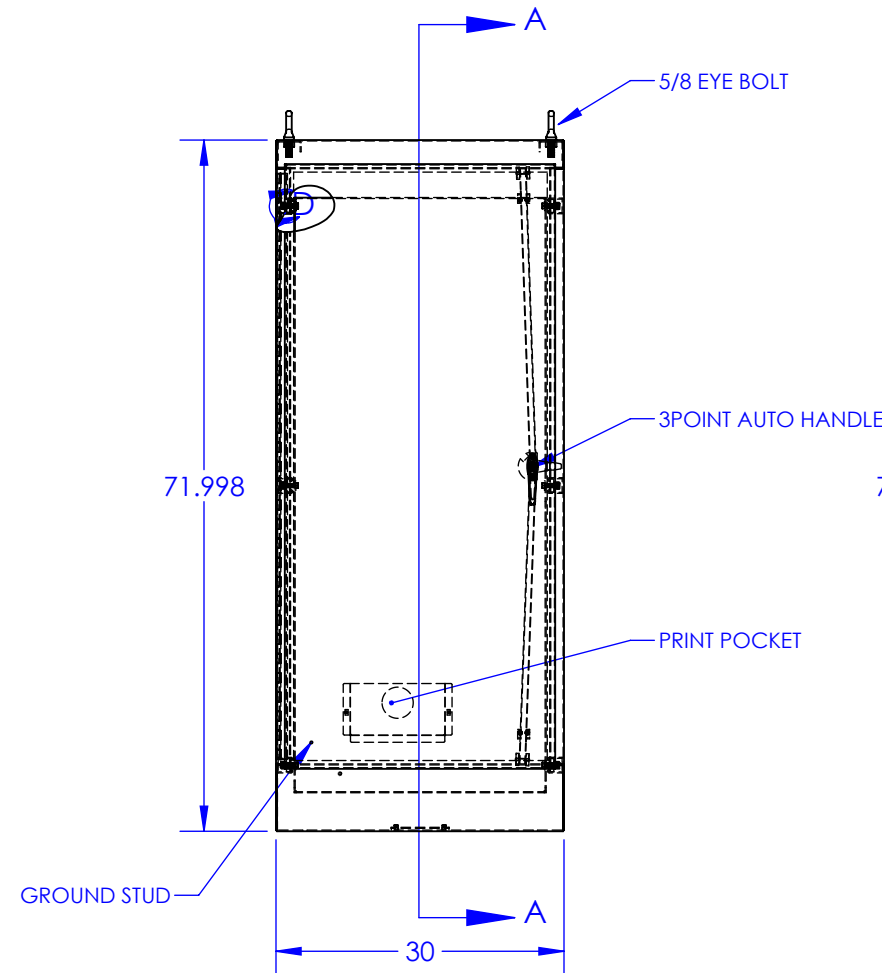
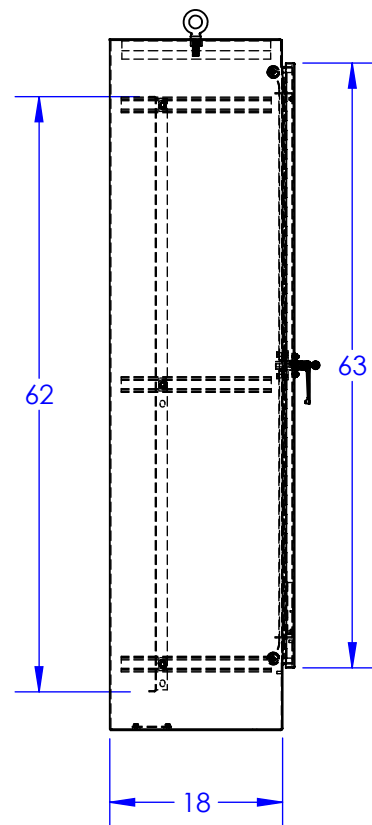
1

REVISIONS

REV.	DESCRIPTION	DATE	APPROVED
------	-------------	------	----------



DETAIL D  
SCALE 1 : 10



**PROPRIETARY AND CONFIDENTIAL**  
 THE INFORMATION CONTAINED IN THIS DRAWING IS THE SOLE PROPERTY OF RALSTON METAL PRODUCTS. ANY REPRODUCTION IN PART OR AS A WHOLE WITHOUT THE WRITTEN PERMISSION OF RALSTON METAL PRODUCTS IS PROHIBITED.

**UNLESS OTHERWISE SPECIFIED**  
 DIMENSIONS ARE IN INCHES  
 TOLERANCES:  
 FRACTIONAL: ±1/32"  
 ANGULAR: MACH ±1° BEND ±1/32"  
 ONE PLACE DECIMAL ±0.1"  
 TWO PLACE DECIMAL ±0.01"  
 THREE PLACE DECIMAL ±0.005"

MATERIAL:  
 SEE BOM  
 FINISH:  
 SEE BOM  
 DO NOT SCALE DRAWING

NAME	DATE
DRAWN BY DAVID CIKURU	2/21/2019
ISSUED BY	
JOB ORDER NO:	
CUSTOMER DRAWING NO:	
(AUTHORIZED SIGNATURE IN RED)	

50 Watson Road Guelph, Ontario N1L 1E2 Phone: (519) 836-2968 Toll Free: 1-800-265-7611 Fax: (519) 836-9763 www.ralstonmetal.com	
<b>Ralston</b> Metal Products Limited	
CUSTOMER:	
SHOP DRAWING NUMBER:	
SIZE	PART NAME
<b>B</b>	<b>FS-723018</b>
PART NO.	FS 723018
SCALE: 1:20	WEIGHT: 311.962
	SHEET 1 OF 1