

4

3

2

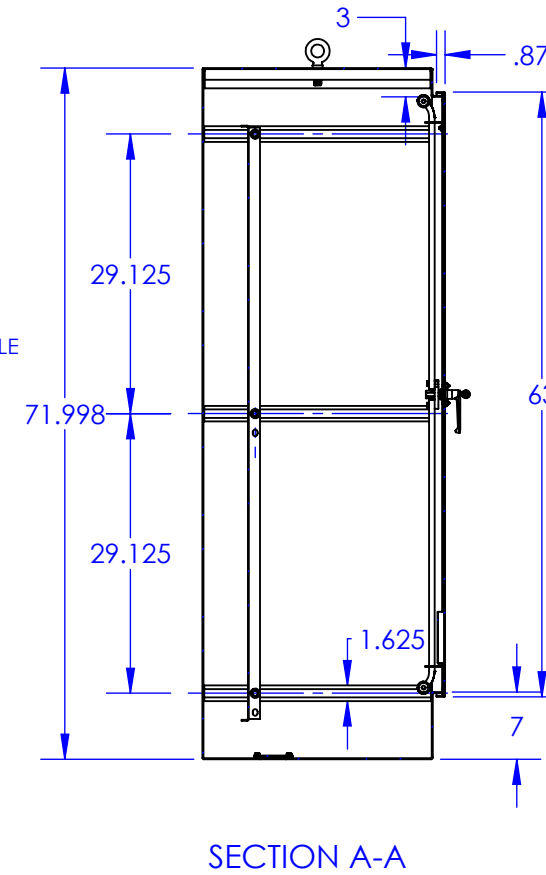
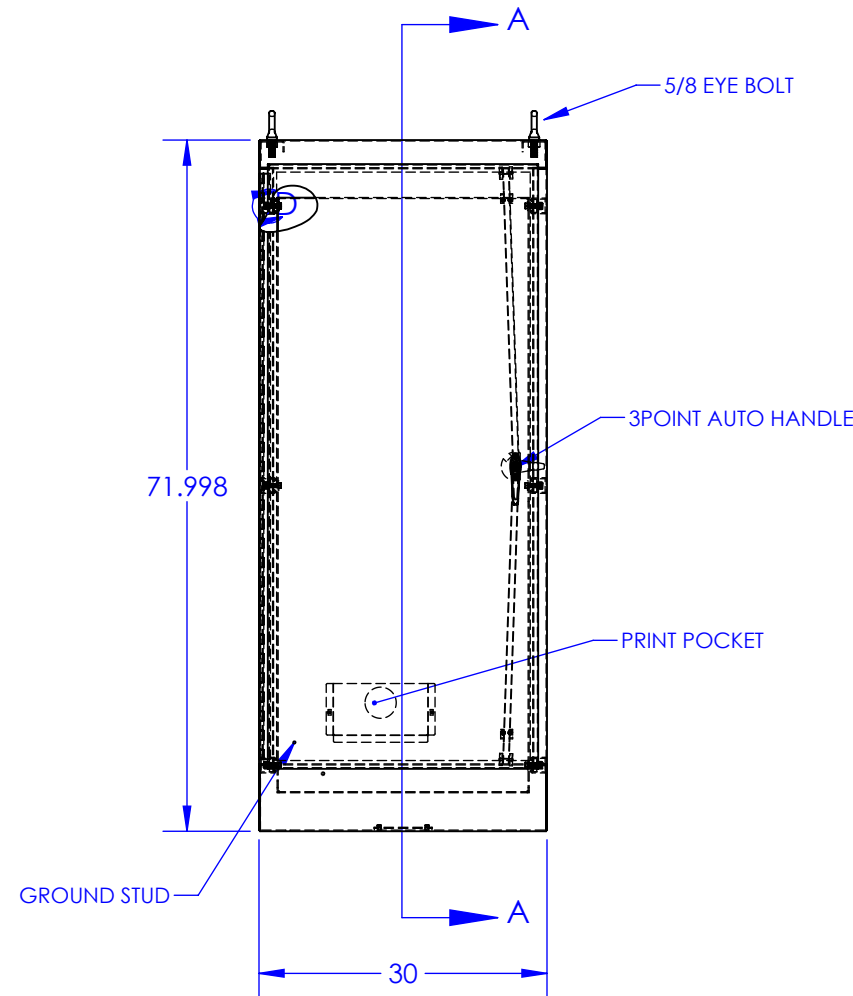
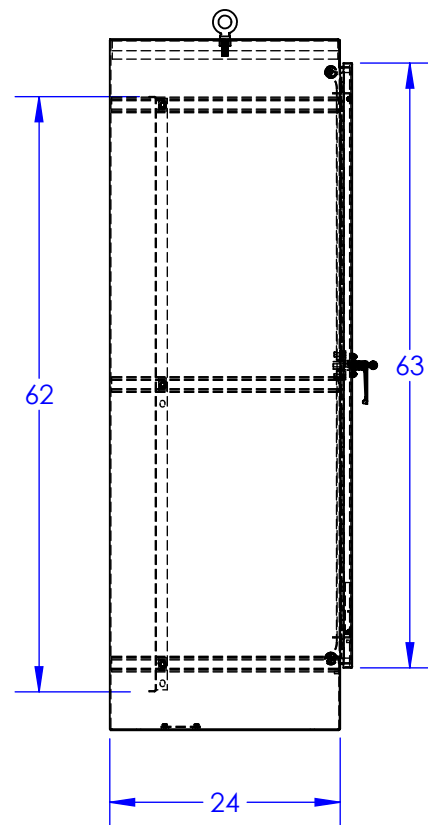
1

REVISIONS

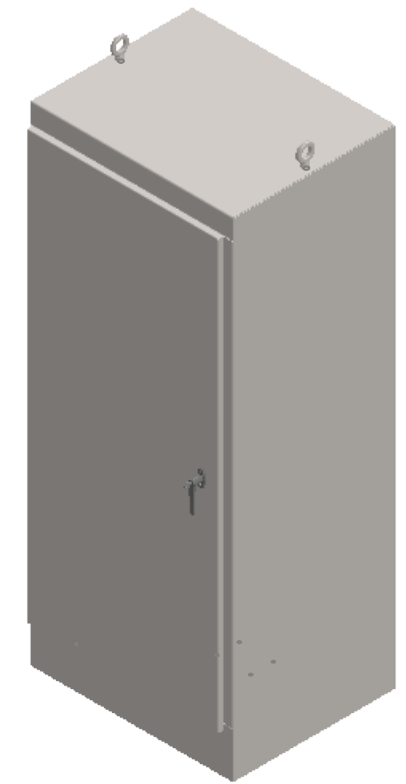
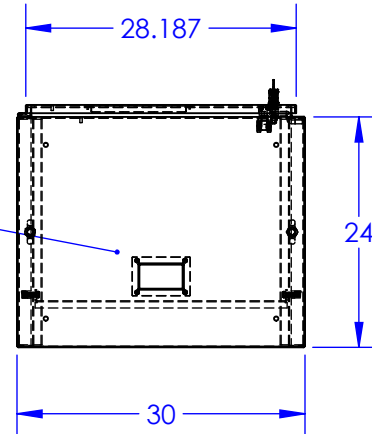
REV.	DESCRIPTION	DATE	APPROVED
------	-------------	------	----------



DETAIL D
SCALE 1 : 10



.437" BOTTOM ONLY
(4PLACES)



PROPRIETARY AND CONFIDENTIAL THE INFORMATION CONTAINED IN THIS DRAWING IS THE SOLE PROPERTY OF RALSTON METAL PRODUCTS. ANY REPRODUCTION IN PART OR AS A WHOLE WITHOUT THE WRITTEN PERMISSION OF RALSTON METAL PRODUCTS IS PROHIBITED. UNLESS OTHERWISE SPECIFIED DIMENSIONS ARE IN INCHES TOLERANCES: FRACTIONAL: ±1/32" ANGULAR: MACH ±1° BEND ±1/32" ONE PLACE DECIMAL ±0.1" TWO PLACE DECIMAL ±0.01" THREE PLACE DECIMAL ±0.005" MATERIAL: SEE BOM FINISH: SEE BOM DO NOT SCALE DRAWING	NAME DAVID CIKURU	DATE 2/21/2019		50 Watson Road Guelph, Ontario N1L 1E2 Phone: (519) 836-2968 Toll Free: 1-800-265-7611 Fax: (519) 836-9763 www.ralstonmetal.com
	ISSUED BY JOB ORDER NO:	CUSTOMER DRAWING NO:		CUSTOMER:
(AUTHORIZED SIGNATURE IN RED) 			SHOP DRAWING NUMBER:	SIZE B
PART NO. FS-723024			PART NAME: FS-723024	REV.
SCALE: 1:20			WEIGHT: 351.140	SHEET 1 OF 1

4

3

2

1