

4


3

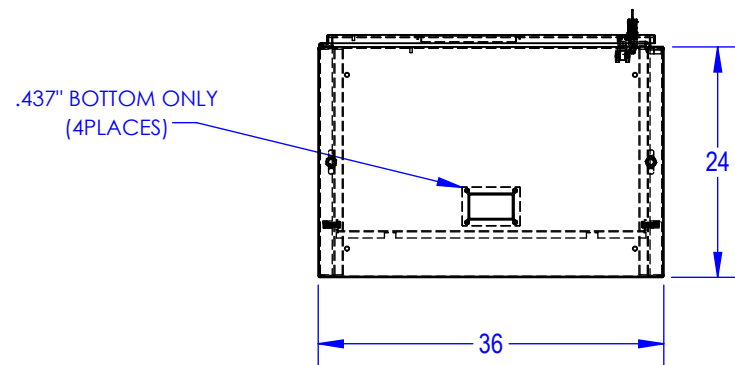
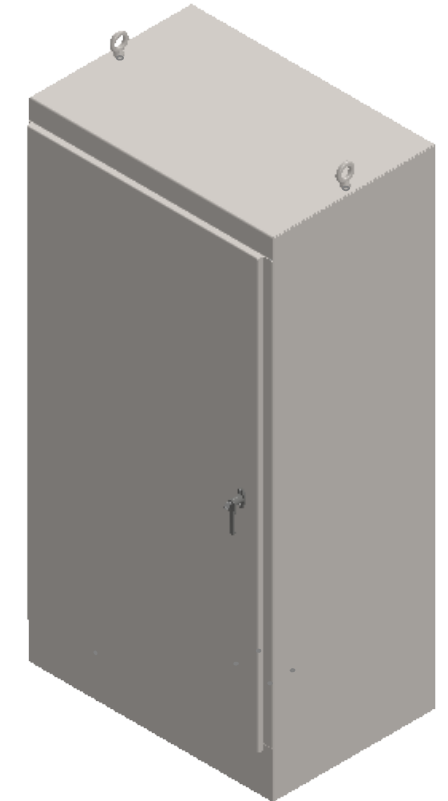
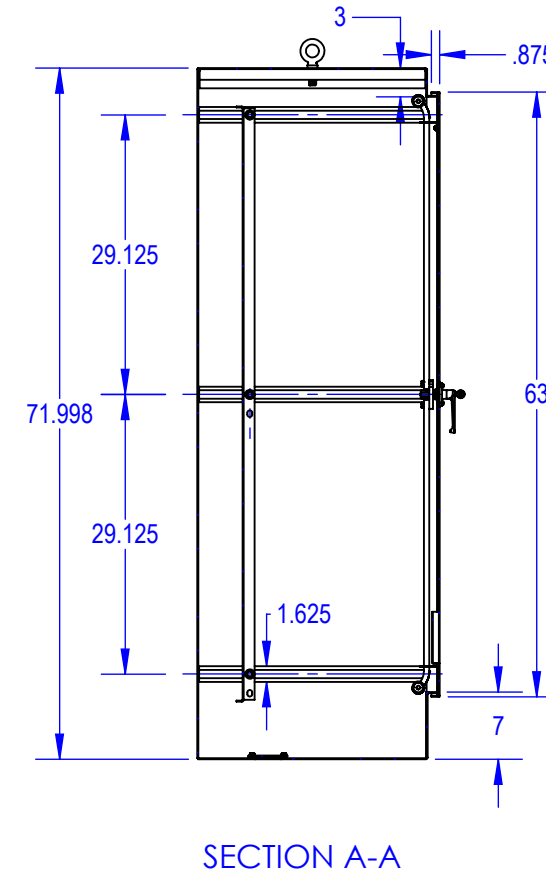
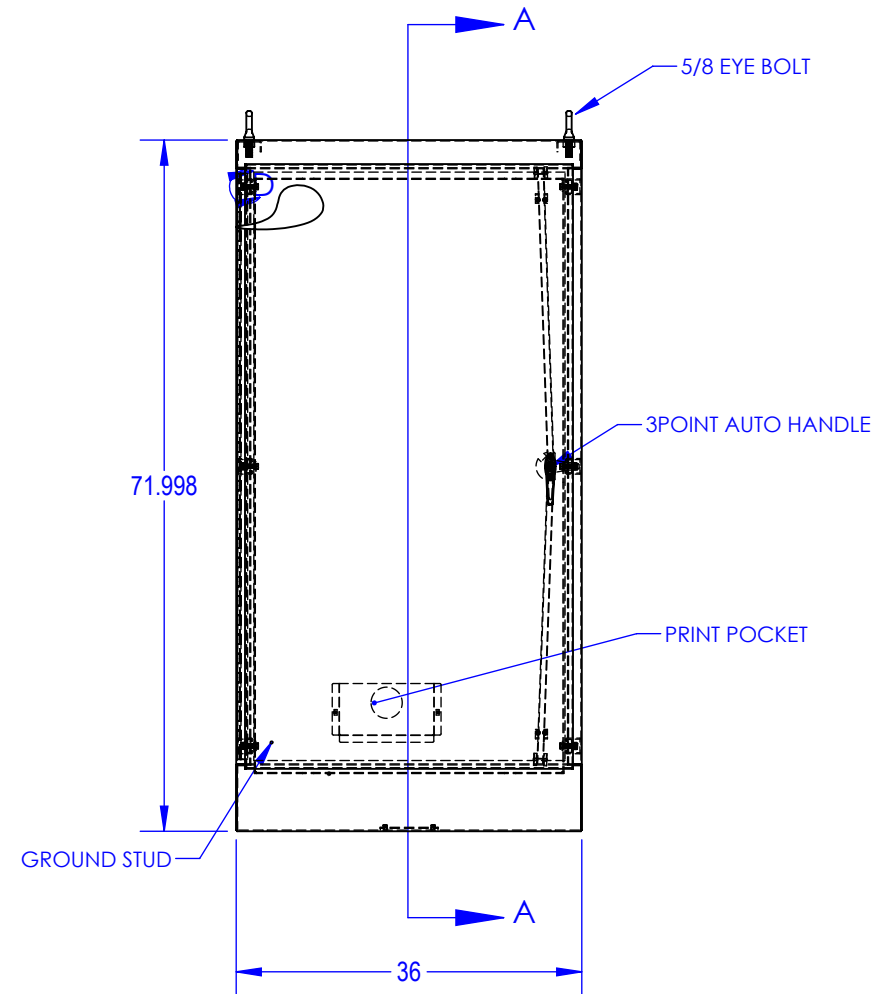
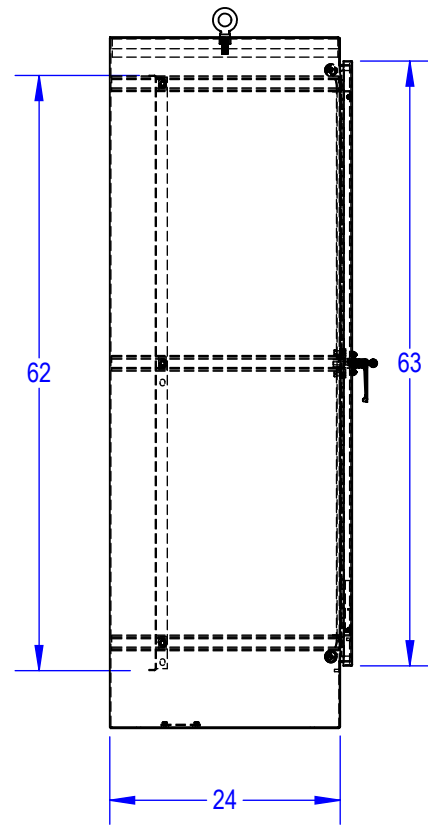
2


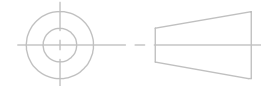
1

REVISIONS

REV.	DESCRIPTION	DATE	APPROVED
------	-------------	------	----------


DETAIL D
 SCALE 1 : 10



PROPRIETARY AND CONFIDENTIAL THE INFORMATION CONTAINED IN THIS DRAWING IS THE SOLE PROPERTY OF RALSTON METAL PRODUCTS. ANY REPRODUCTION IN PART OR AS A WHOLE WITHOUT THE WRITTEN PERMISSION OF RALSTON METAL PRODUCTS IS PROHIBITED. UNLESS OTHERWISE SPECIFIED DIMENSIONS ARE IN INCHES TOLERANCES: FRACTIONAL: ±1/32" ANGULAR: MACH ±1° BEND ±1/32" ONE PLACE DECIMAL ±0.1" TWO PLACE DECIMAL ±0.01" THREE PLACE DECIMAL ±0.005" MATERIAL: SEE BOM FINISH: SEE BOM DO NOT SCALE DRAWING	NAME DAVID CIKURU	DATE 2/21/2019		
	ISSUED BY	JOB ORDER NO.		CUSTOMER:
	CUSTOMER DRAWING NO.	SHOP DRAWING NUMBER:		SIZE B
	(AUTHORIZED SIGNATURE IN RED) 	PART NAME: FS-723624		REV.
PART NO. FS 723624	SCALE: 1:20	WEIGHT: 396.651	SHEET 1 OF 1	

4

3

2

1

B

B

A

A