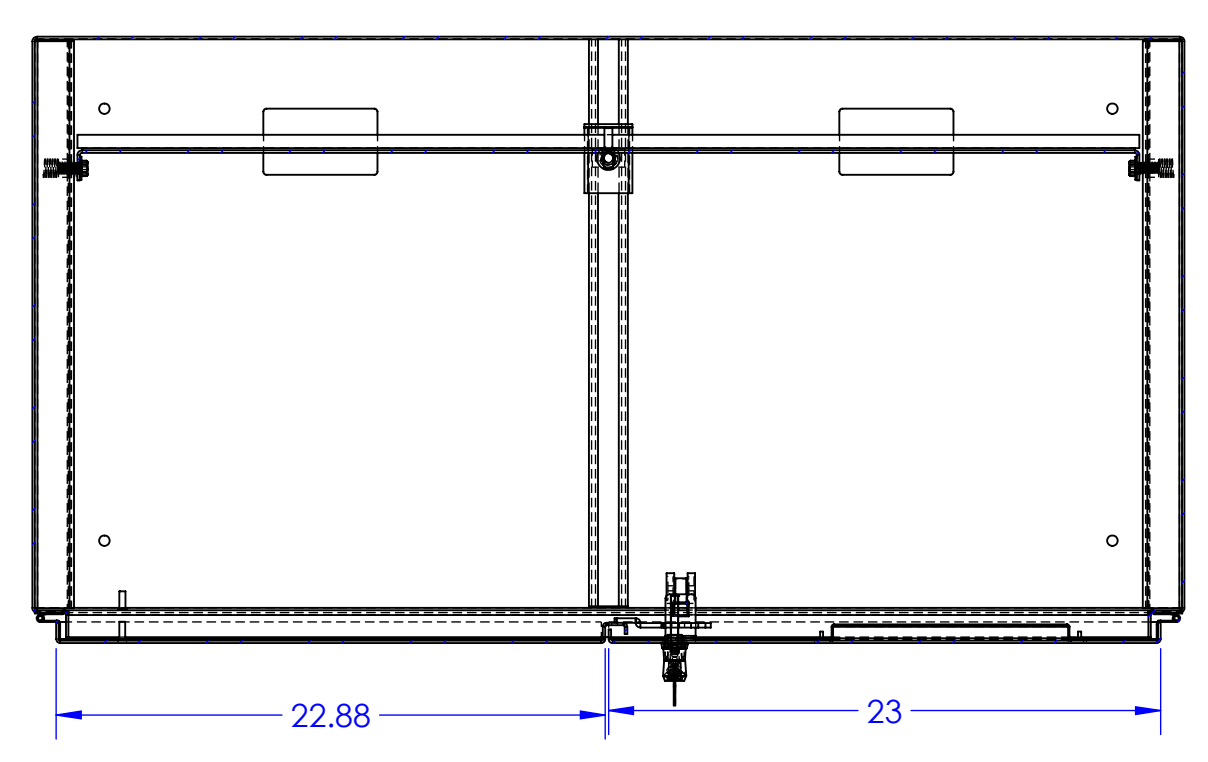
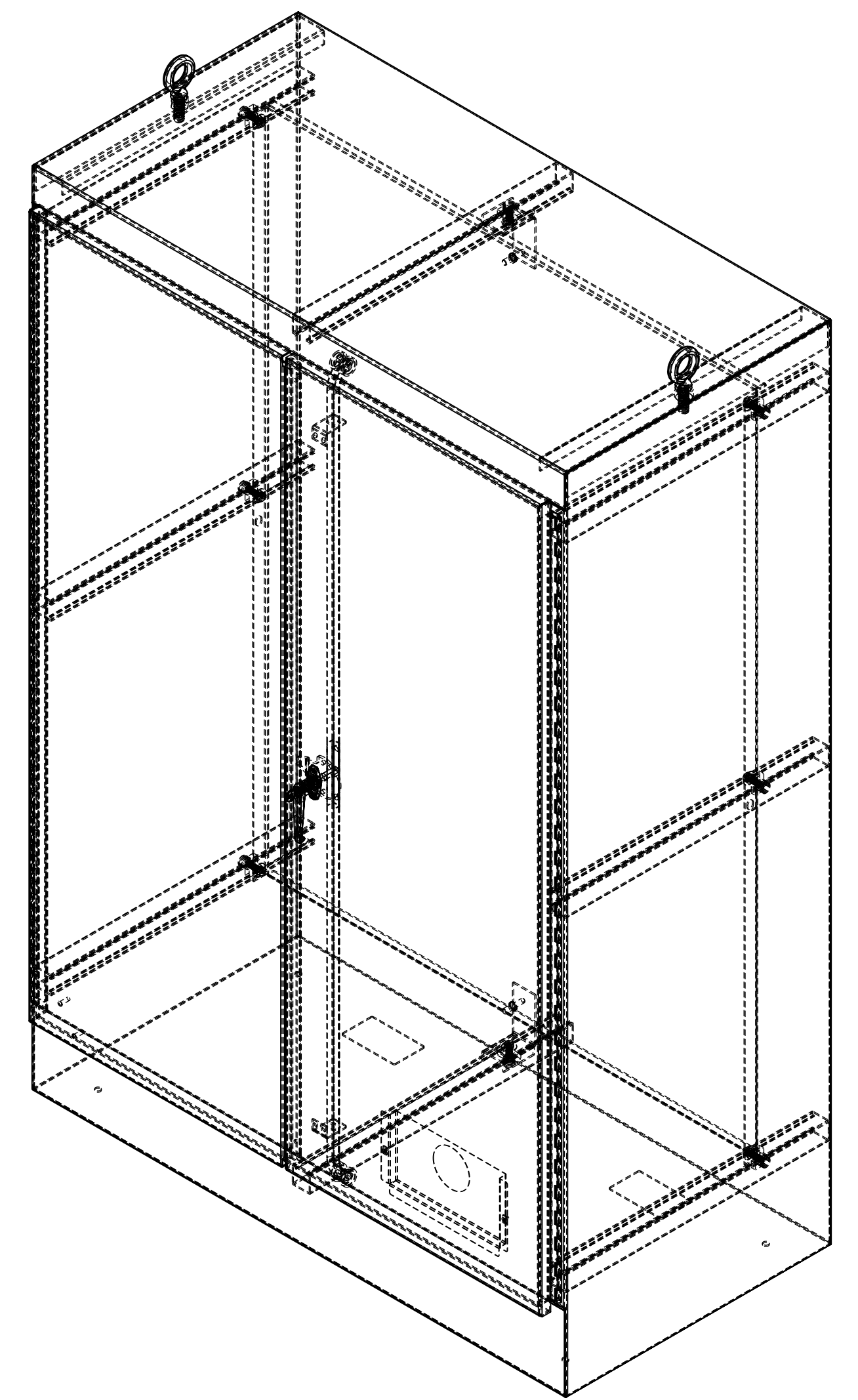
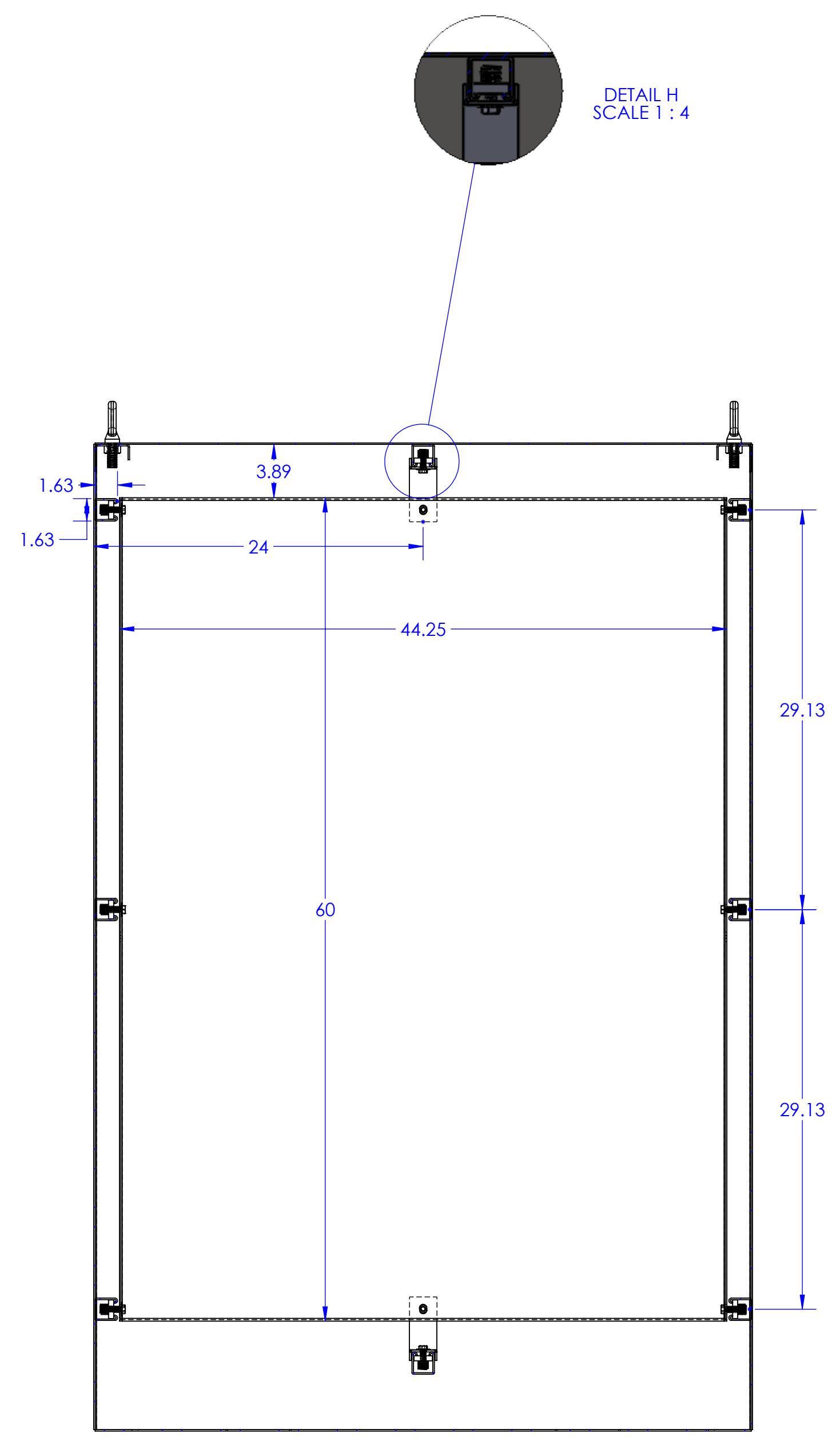
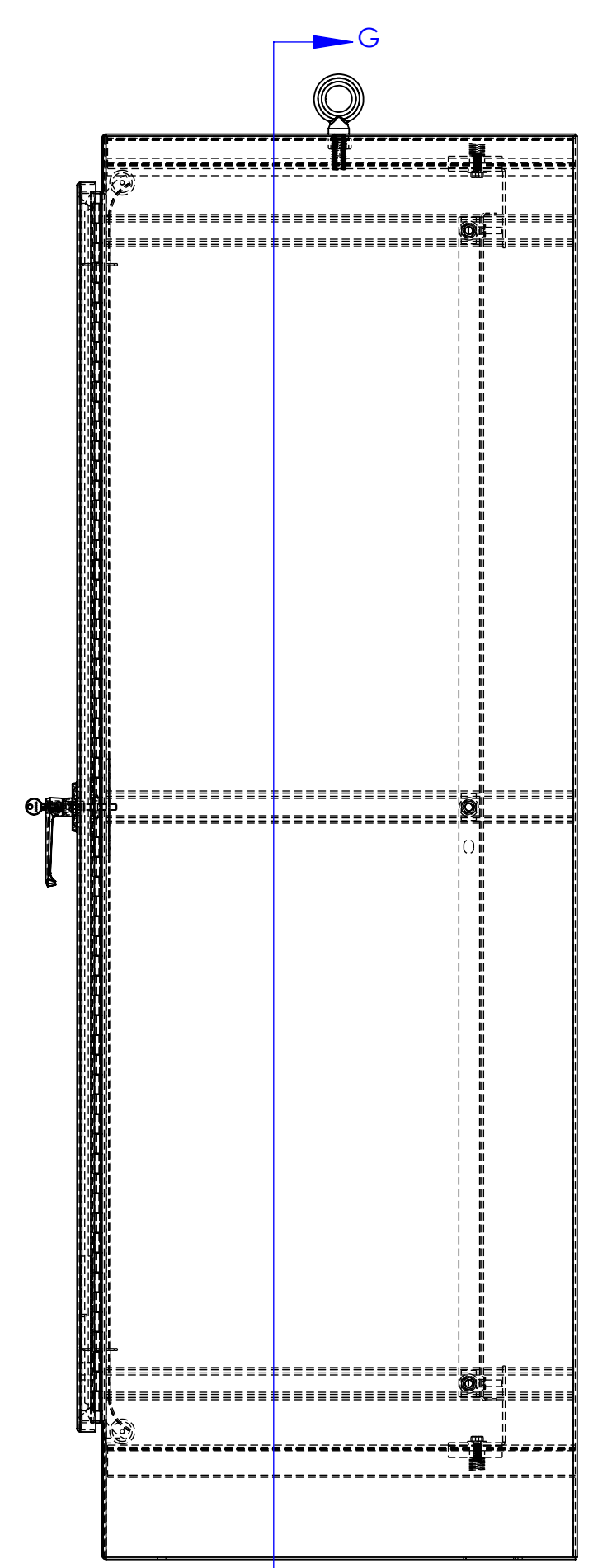
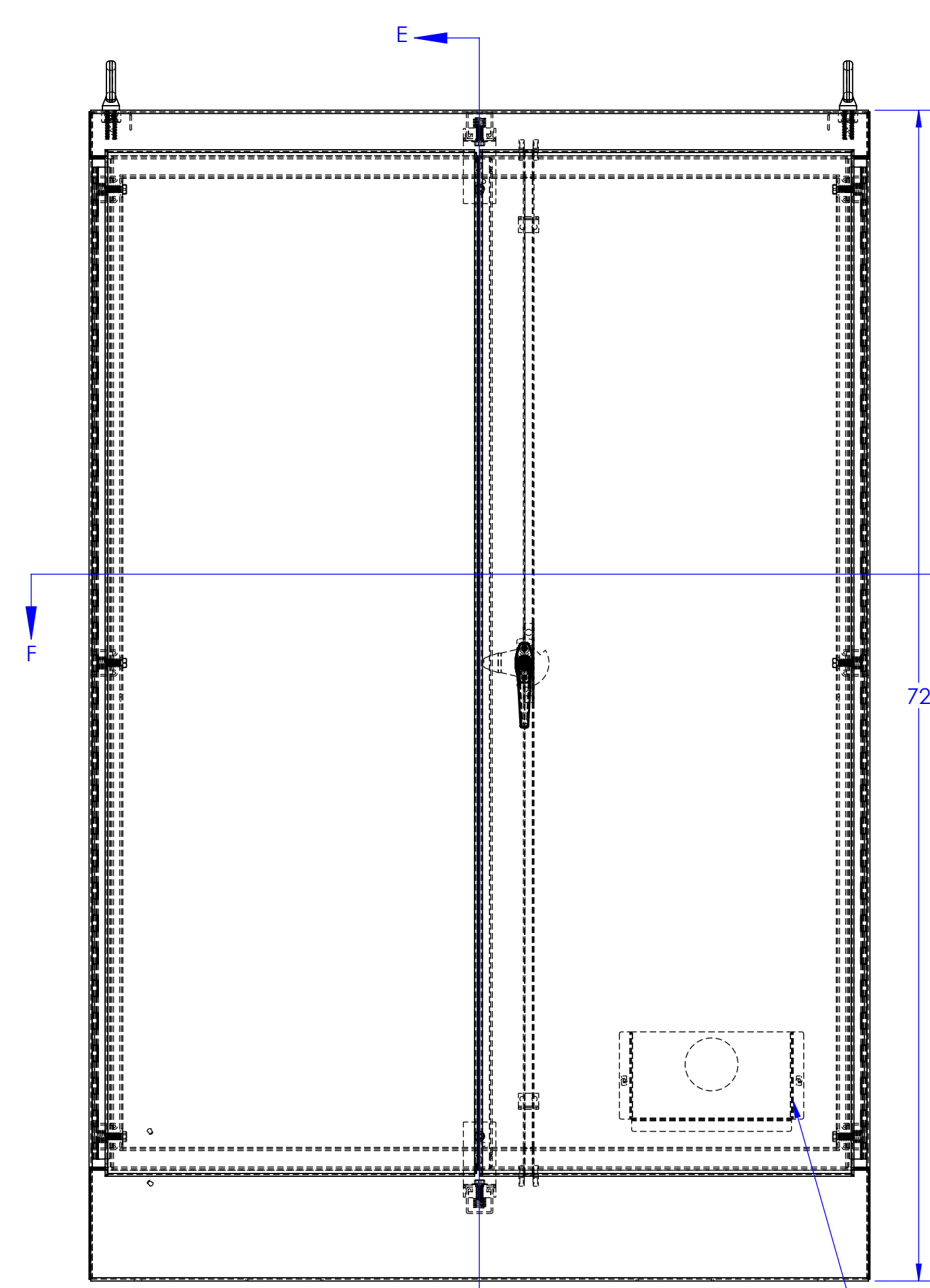
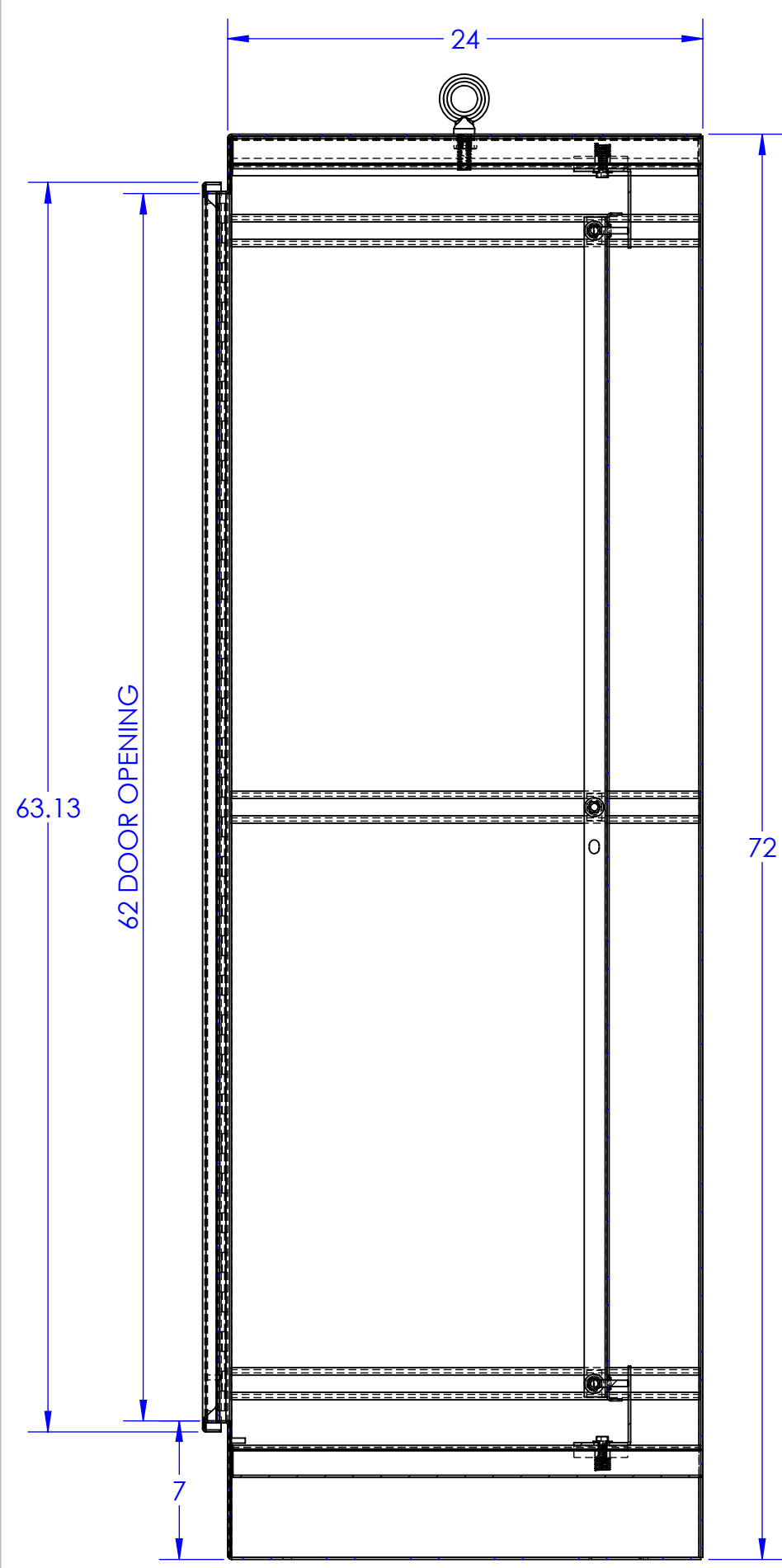
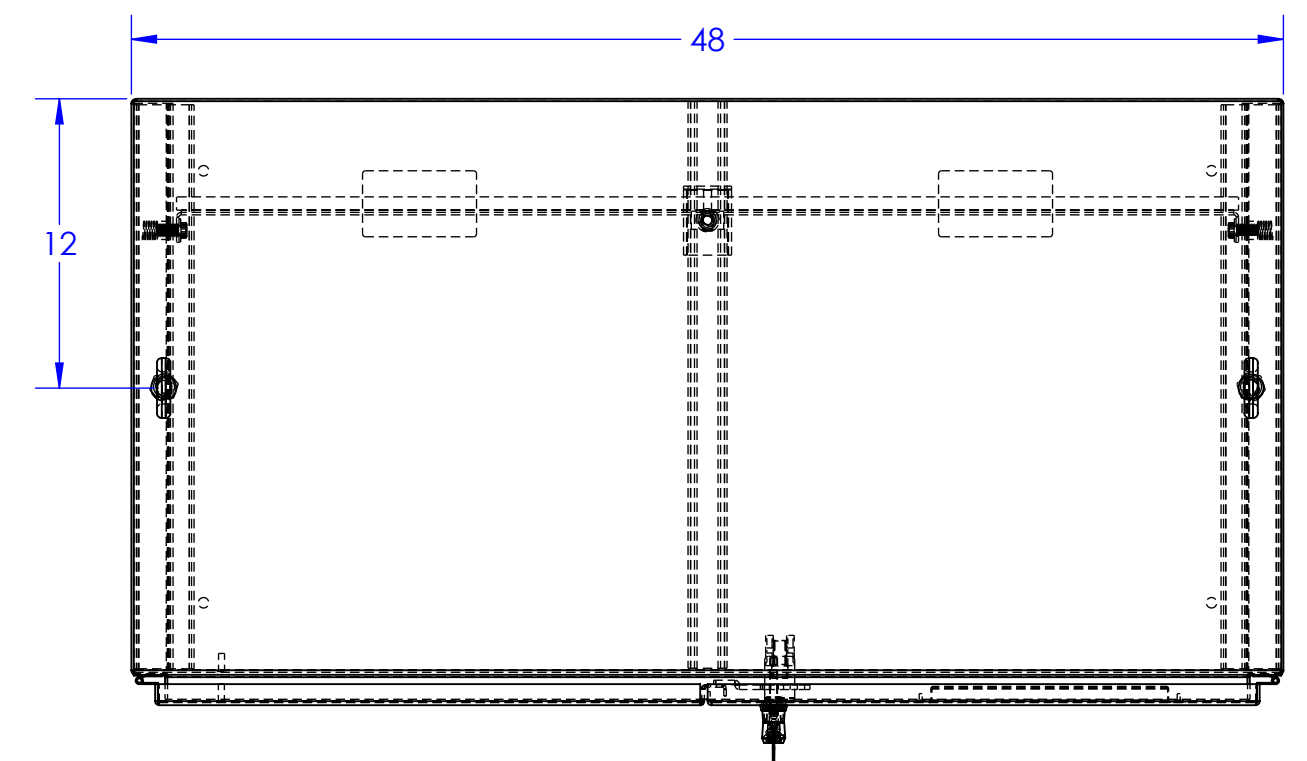


REVISIONS			
REV.	DESCRIPTION	DATE	APPROVED



SECTION E-E

SECTION G-G

SECTION F-F

PROPRIETARY AND CONFIDENTIAL
 THE INFORMATION CONTAINED IN THIS DRAWING IS THE SOLE PROPERTY OF RALSTON METAL PRODUCTS. ANY REPRODUCTION OR TRANSMISSION OF THIS INFORMATION WITHOUT THE WRITTEN PERMISSION OF RALSTON METAL PRODUCTS IS PROHIBITED.

UNLESS OTHERWISE SPECIFIED
 DIMENSIONS ARE IN INCHES
 TOLERANCES:
 FINISHES:
 ANGLES:
 SURF. FINISH:
 THREADS:
 UNLESS OTHERWISE SPECIFIED

SEE BOM
 FRST:
 SEE BOM
 DO NOT SCALE DRAWING

NAME	DATE	15 WESTON ROAD GUELPH, ONTARIO N1L 1E2
DRAWN BY: CHANIE DESAI	2019-09-15	PHONE: 519-836-0888 TOLL FREE: 1-800-365-7611 FAX: 519-836-0891
ISSUED BY:	2020-03-30	
JOB ORDER NO.:		

Ralston
Metal Products Limited

CUSTOMER: _____

CUSTOMER DRAWING NO: _____

DRAWING NUMBER: _____

REV. _____

D N12-FS-DD-724824

PART NO. N12-FS-DD-724824

SCALE: 1:8 WEIGHT: 496.712 SHEET 1 OF 1