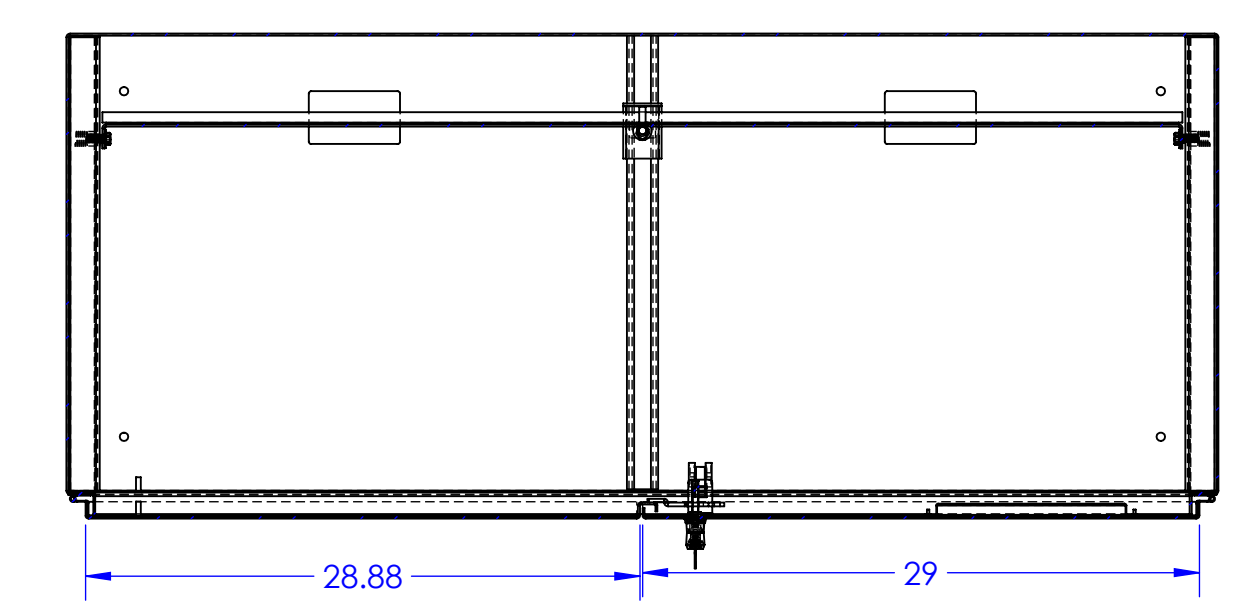
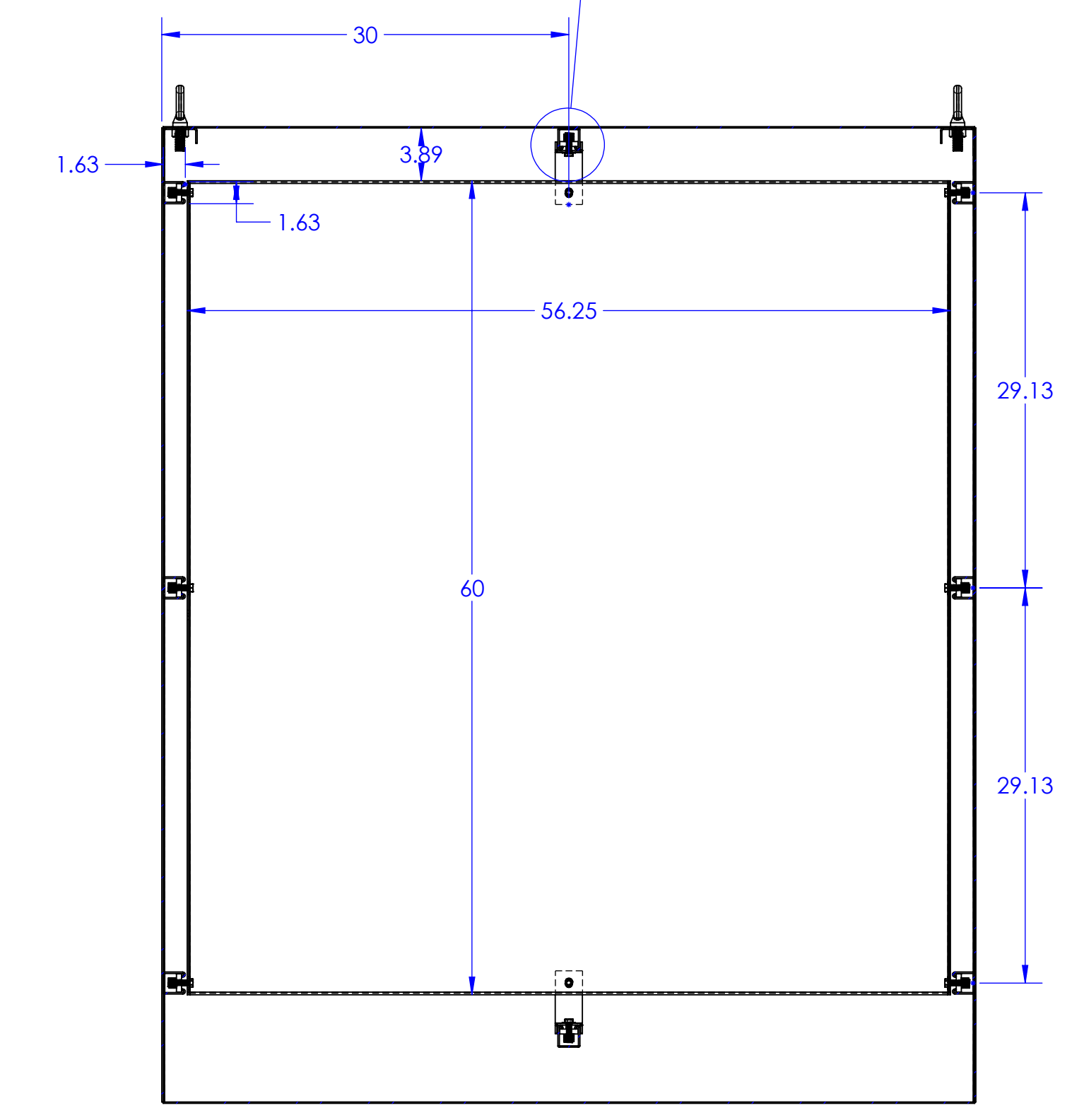
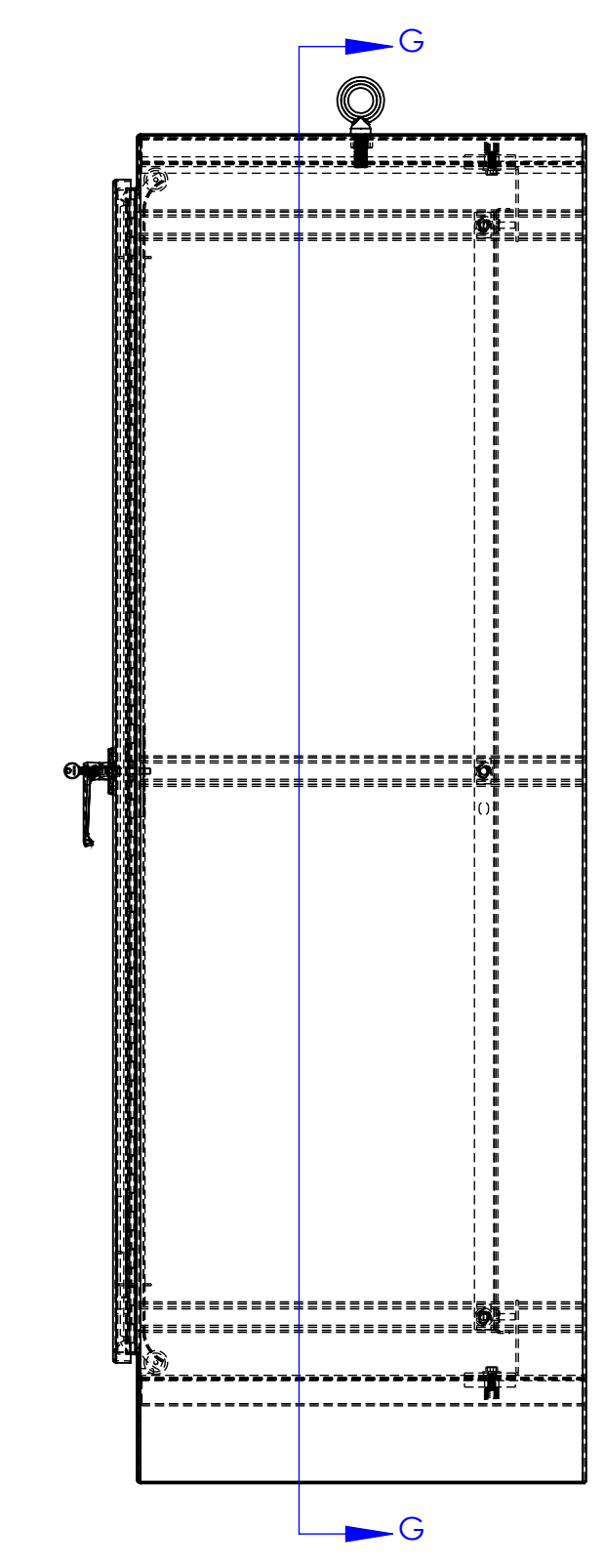
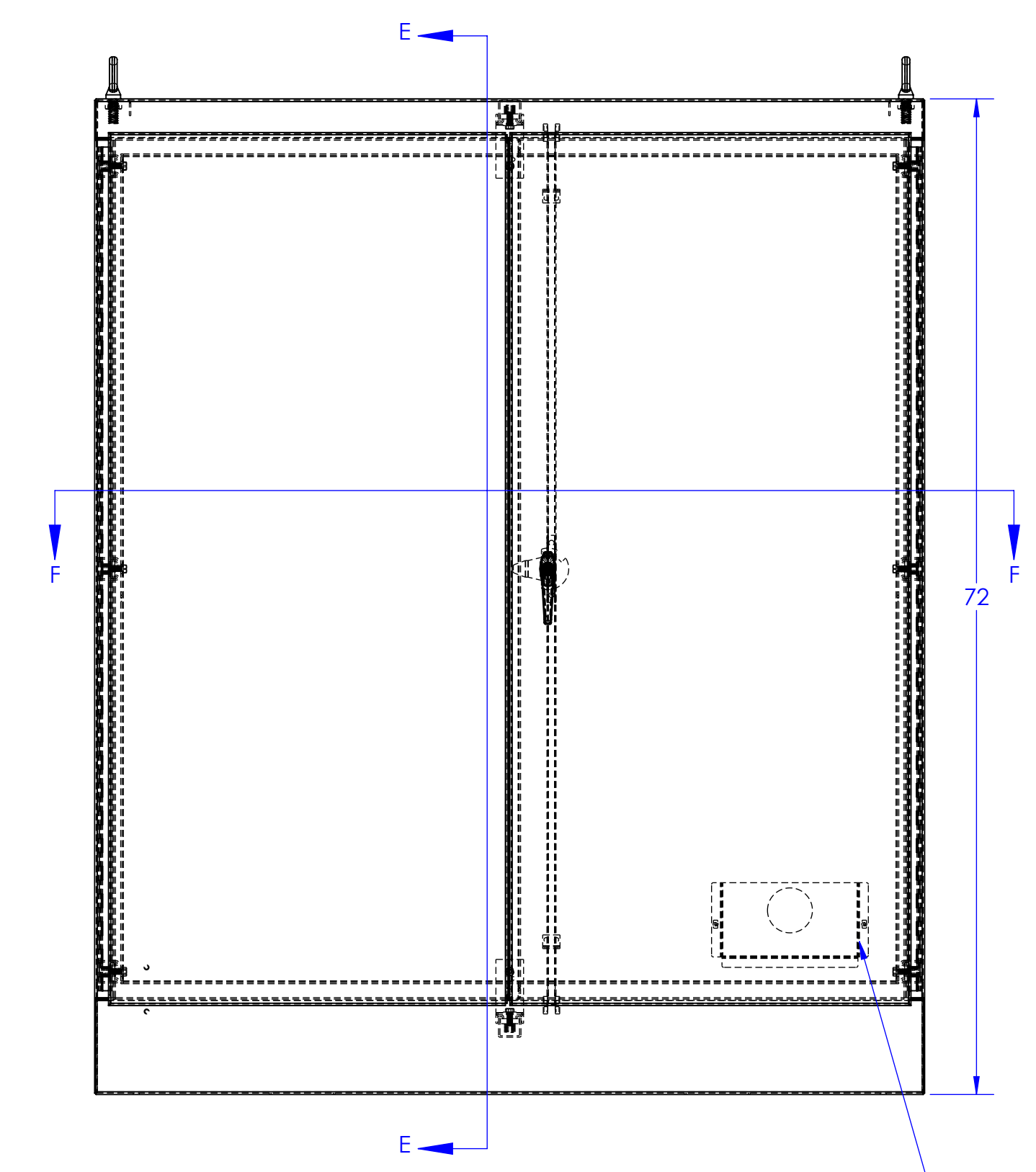
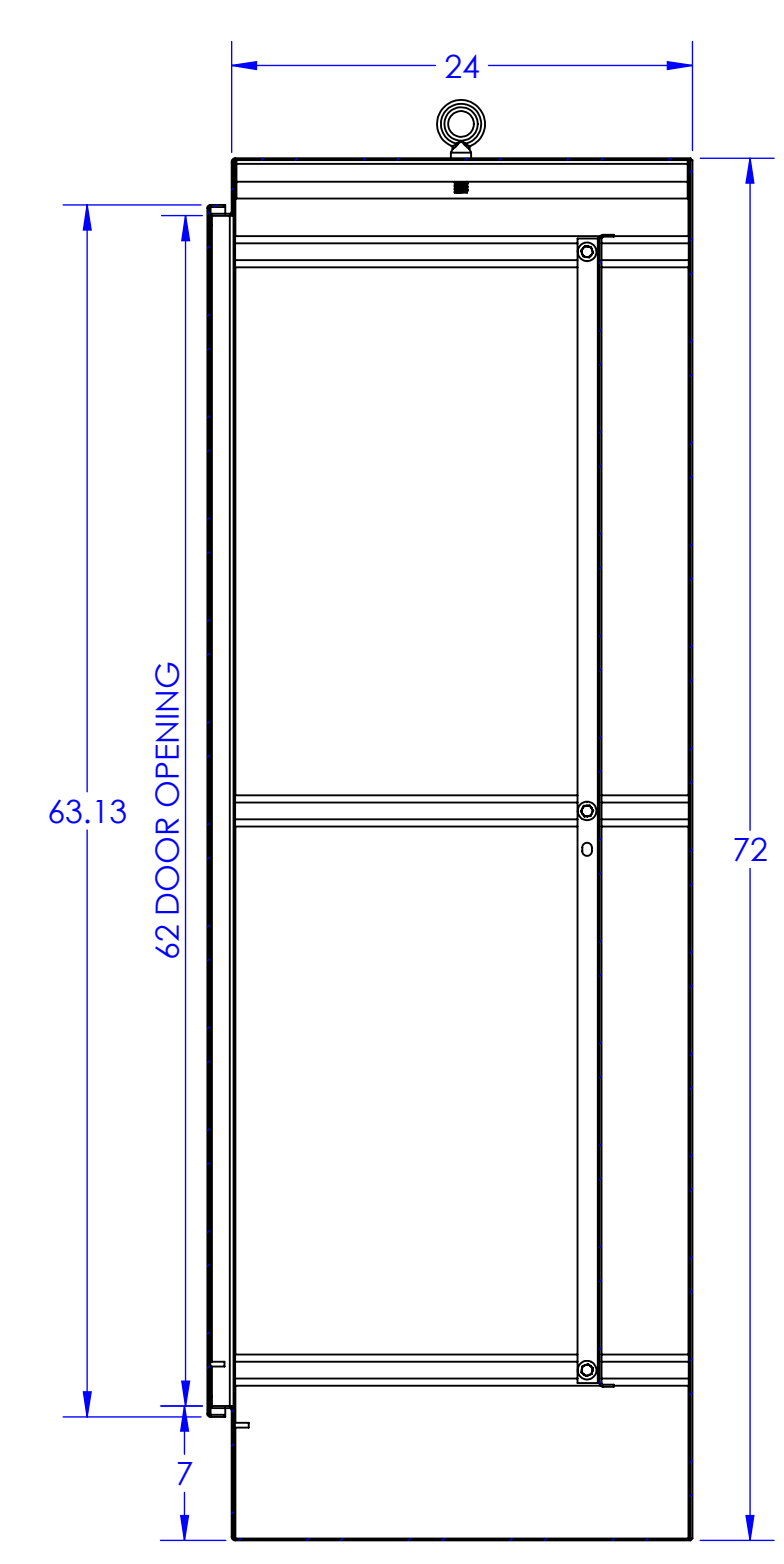
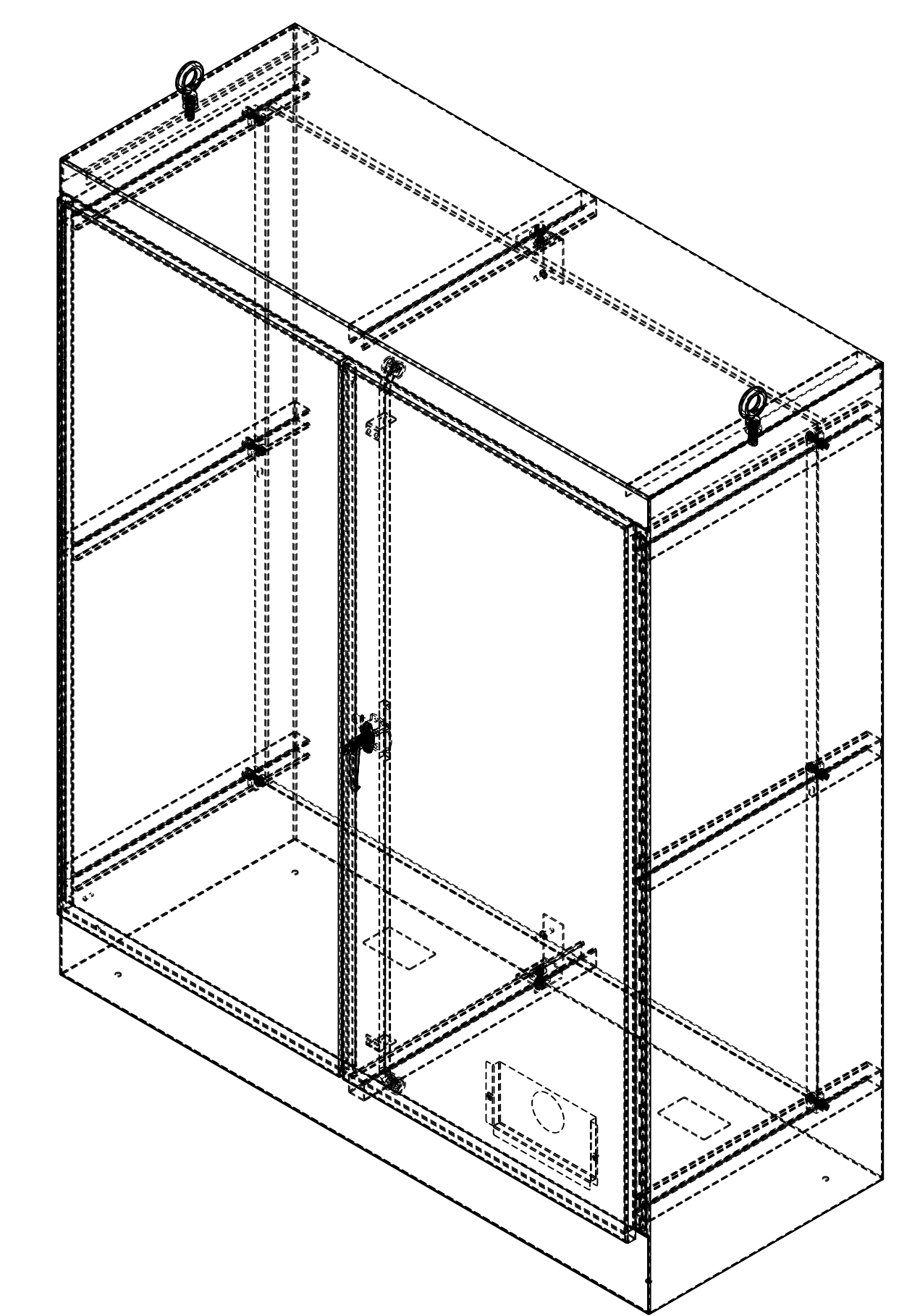
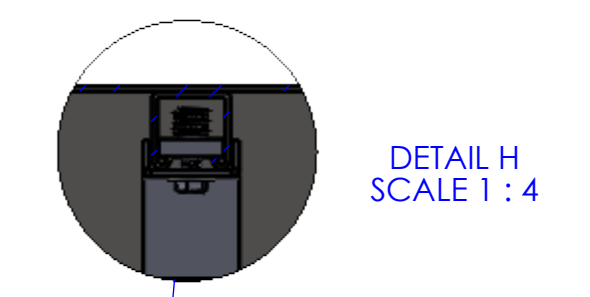
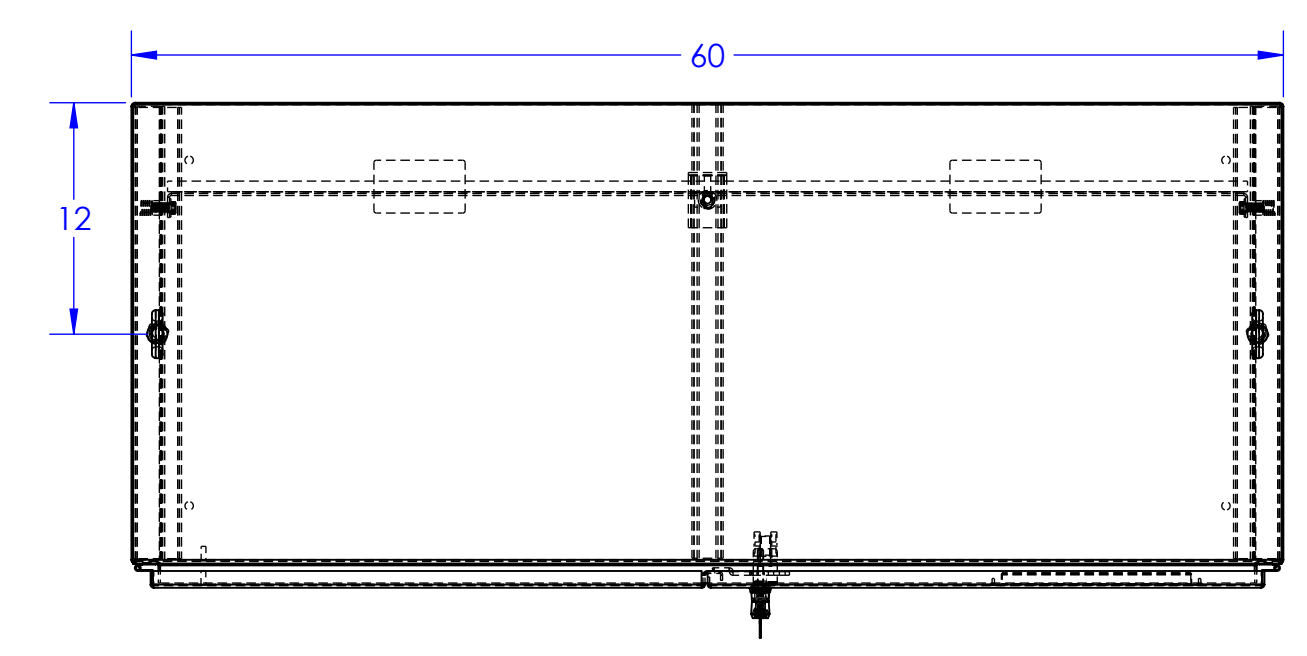


REVISIONS			
REV.	DESCRIPTION	DATE	APPROVED



SECTION E-E

SECTION G-G

SECTION F-F

PROPRIETARY AND CONFIDENTIAL
 THE INFORMATION CONTAINED IN THIS DRAWING IS THE SOLE PROPERTY OF RALSTON METAL PRODUCTS. ANY REPRODUCTION OR TRANSMISSION OF THIS INFORMATION WITHOUT THE WRITTEN PERMISSION OF RALSTON METAL PRODUCTS IS PROHIBITED.

UNLESS OTHERWISE SPECIFIED
 DIMENSIONS ARE IN INCHES
 TOLERANCES:
 FINISHES:
 FINISH: POLISH
 ANGLE: AS SHOWN
 RND: 1/32"
 CHAMFER: 45°
 TWO PLACE DECIMAL
 UNLESS OTHERWISE SPECIFIED
 SURFACE FINISH: POLISH

SEE BOM
 FRST:
 SEE BOM
 DO NOT SCALE DRAWING

NAME	DATE
2019-03-13	

Ralston
 Metal Products Limited

CUSTOMER DRAWING NO:
 SHOP DRAWING NUMBER:
 SHEET: PART NAME: **D N12-FS-DD-726024**
 PART NO. N12-FS-DD-726024
 SCALE: 1:10 WEIGHT: 587.930 SHEET 1 OF 1