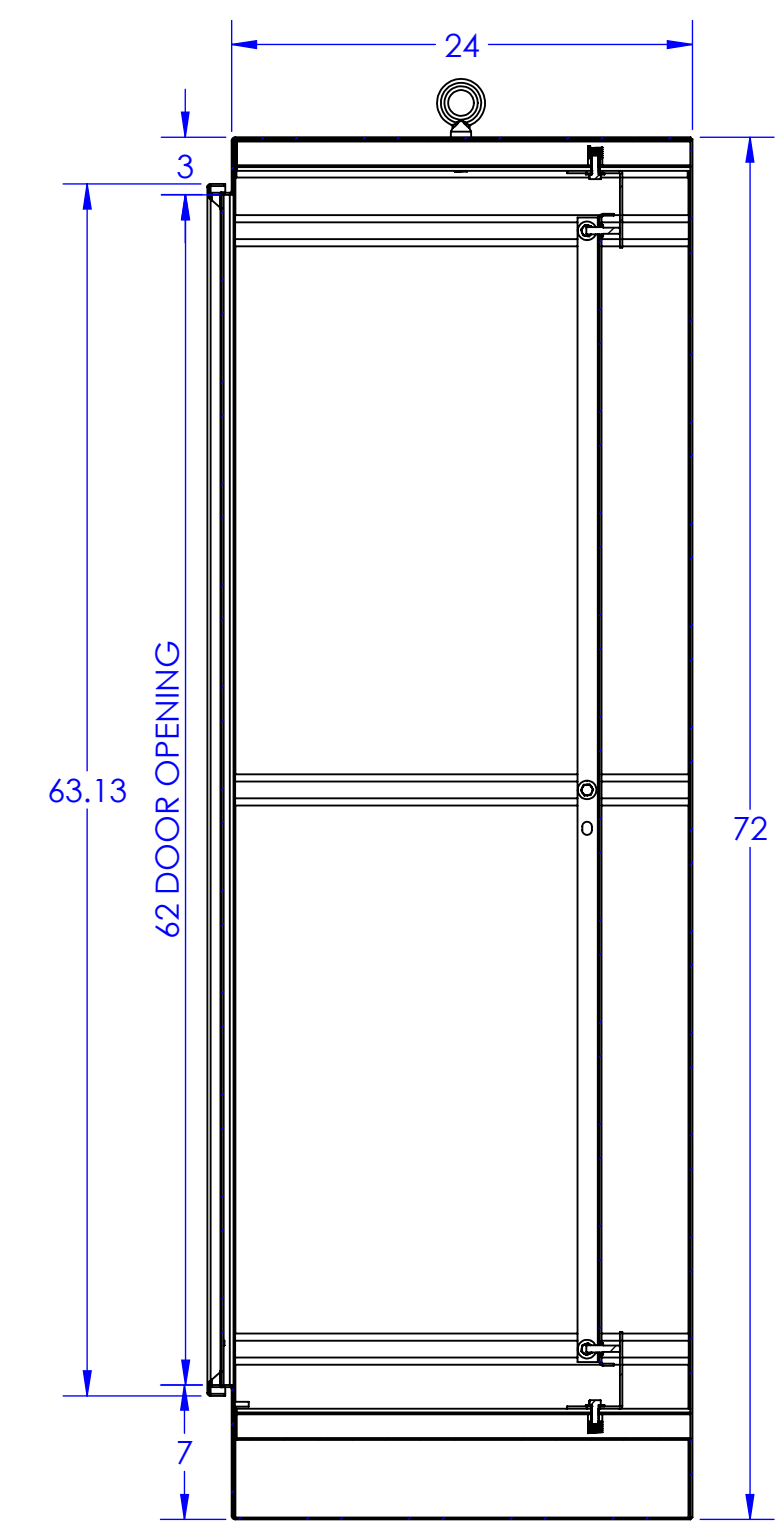
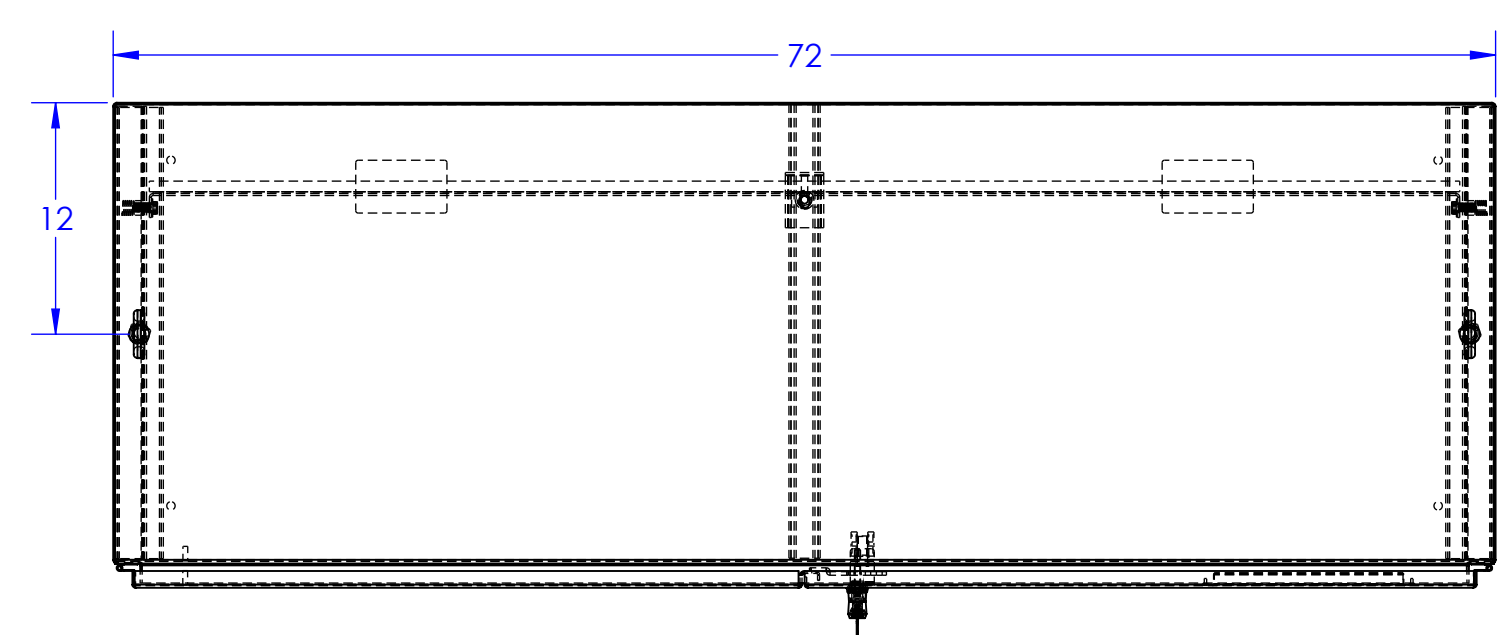
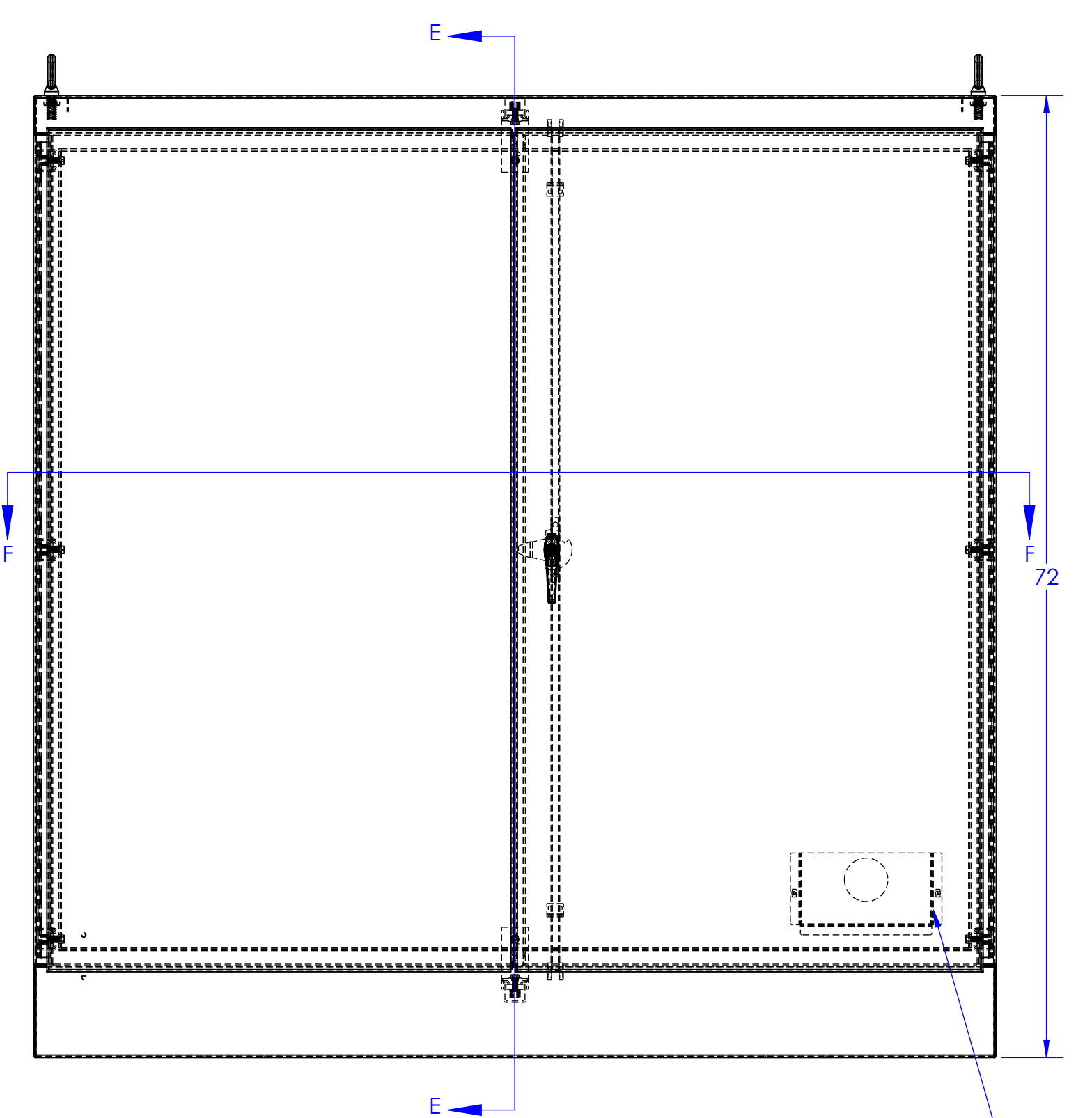


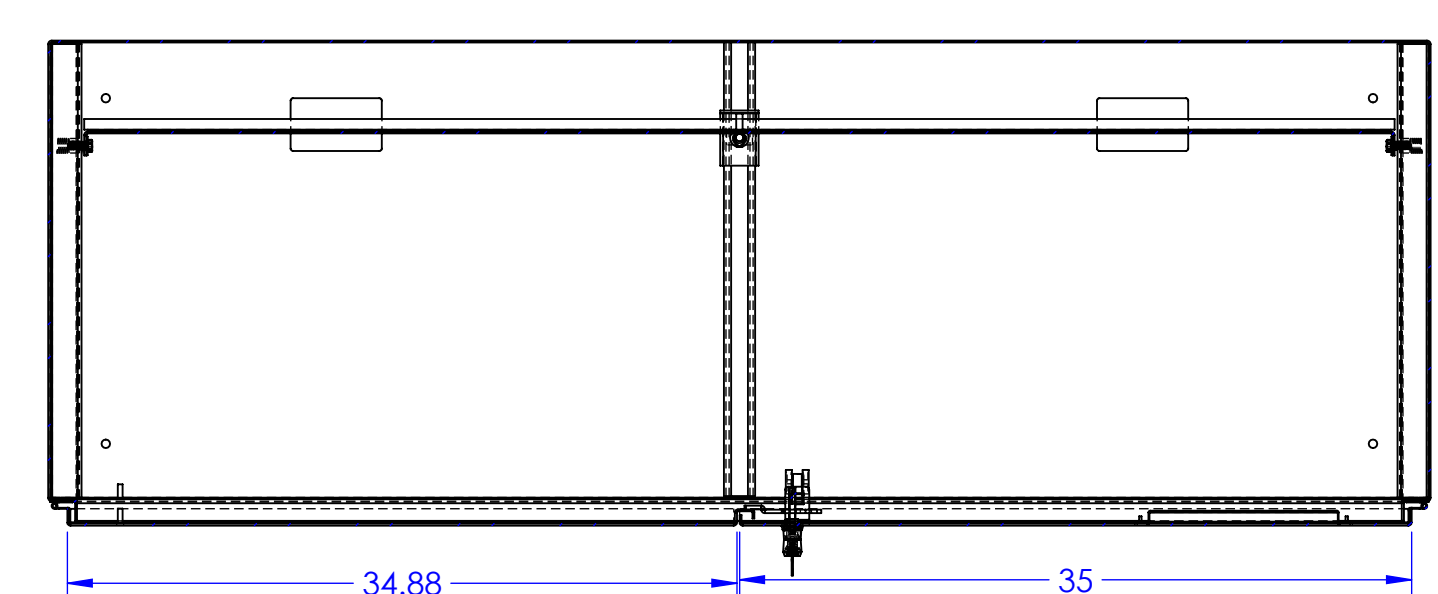
REVISIONS			
REV.	DESCRIPTION	DATE	APPROVED



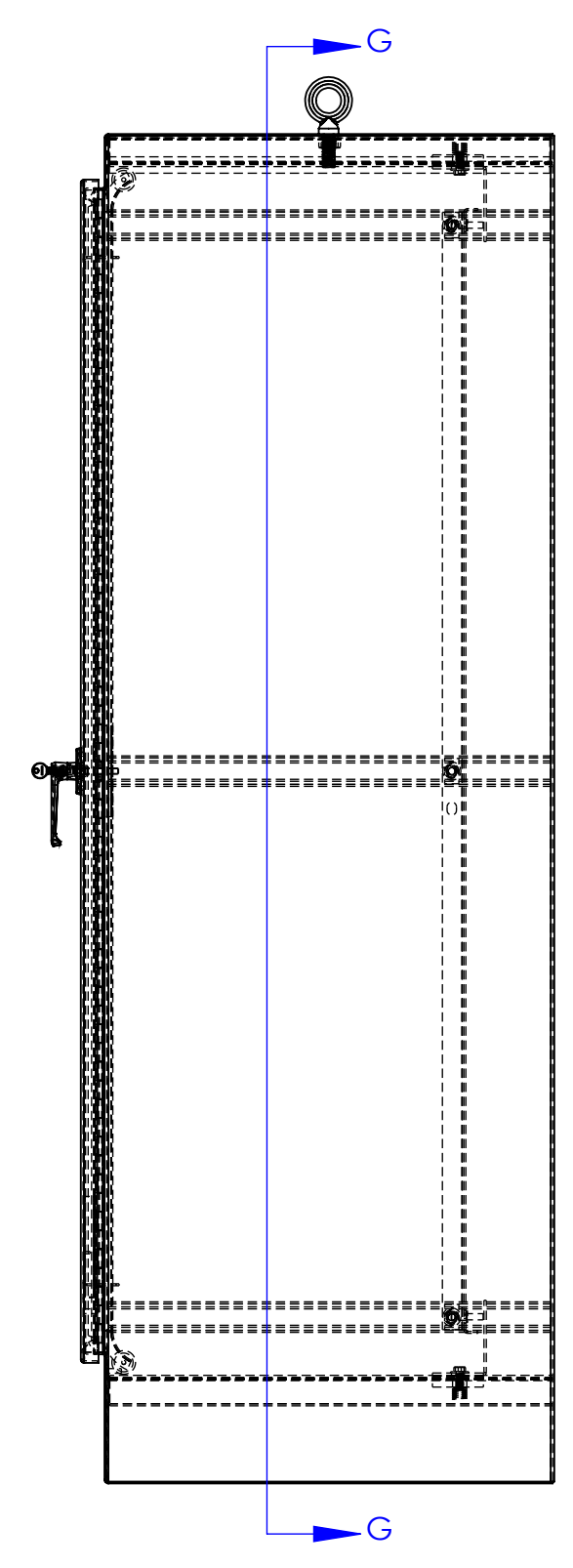
SECTION E-E



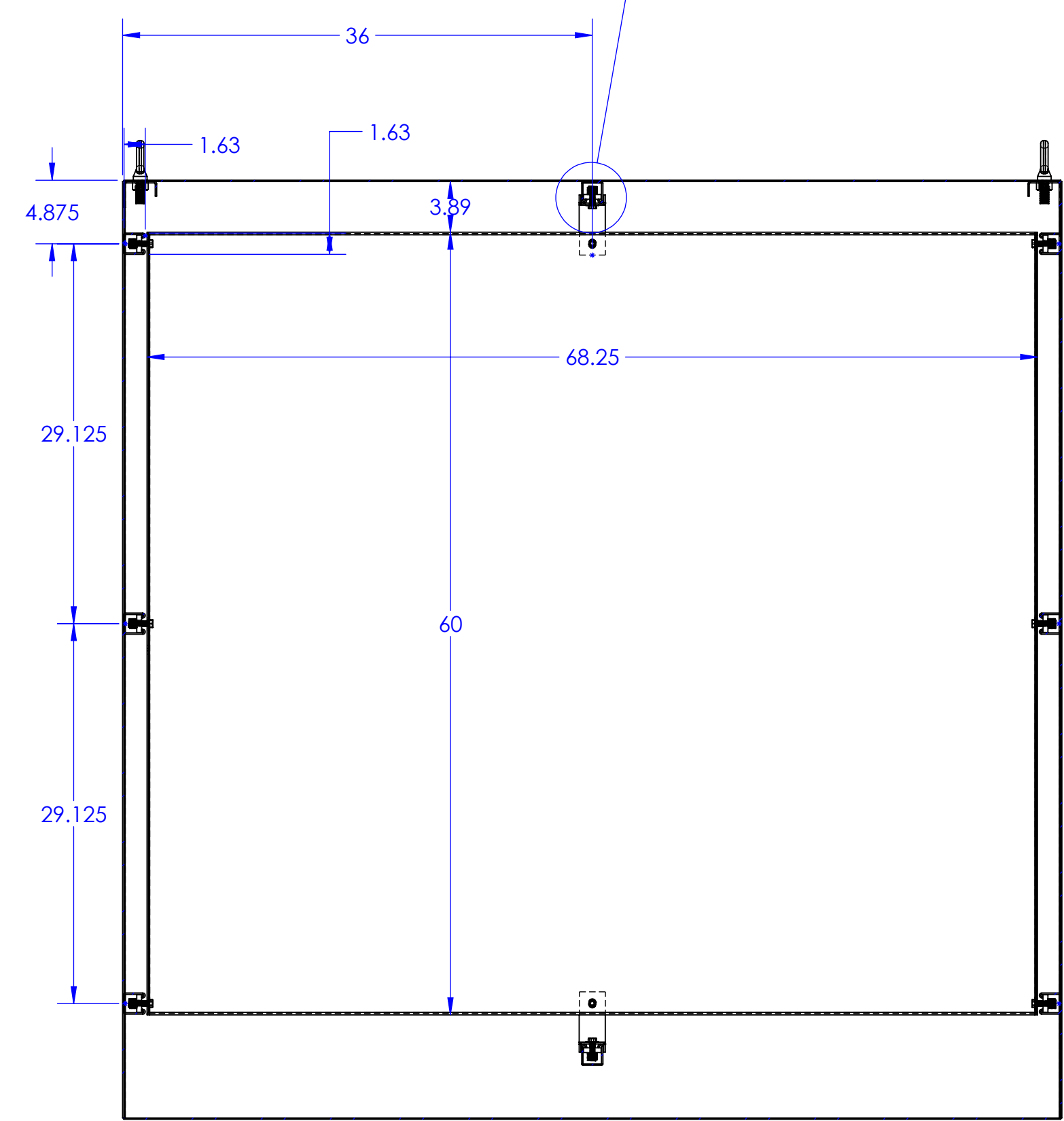
PRINT POCKET



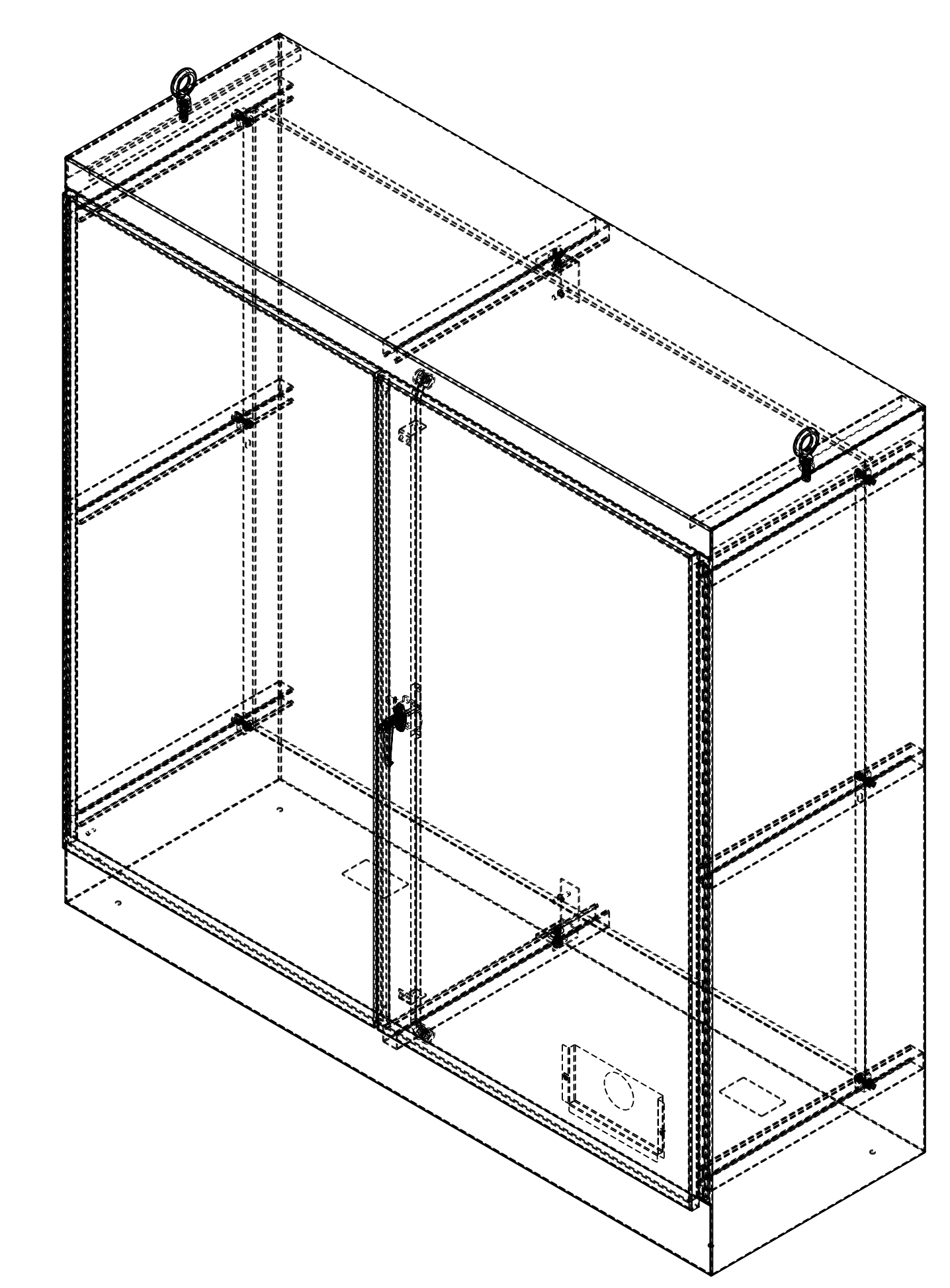
SECTION F-F



SECTION G-G



DETAIL H
SCALE 1:4



PROPRIETARY AND CONFIDENTIAL
 THE INFORMATION CONTAINED IN THIS DRAWING IS THE SOLE PROPERTY OF RALSTON METAL PRODUCTS. ANY REPRODUCTION OR TRANSMISSION WITHOUT THE WRITTEN PERMISSION OF RALSTON METAL PRODUCTS IS PROHIBITED.

UNLESS OTHERWISE SPECIFIED
 DIMENSIONS ARE IN INCHES
 TOLERANCES:
 FINISHES:
 ANGLE AS SHOWN
 ONE FACE EQUAL
 TWO FACES EQUAL
 SURFACE FINISH: PER
 SURFACE FINISH: PER

SEE BOM
 SEE BOM
 DO NOT SCALE DRAWING

NAME	DATE	2019-03-13
DRAWN BY	ISSUED BY	JOB ORDER NO.
CUSTOMER DRAWING NO.	SHOP DRAWING NUMBER	
PART NAME		
D N12-FS-DD-727224		
PART NO.	N12-FS-DD-727224	WEIGHT: 479.148
SCALE: 1:10	THIRD ANGLE PROJECTION	SHEET 1 OF 1

Ralston
 Metal Products Limited

10 WESTON ROAD
 GUILDFORD, ONTARIO N6L 1E2
 PHONE: 519-848-0888
 TOLL FREE: 1-800-365-9111
 FAX: 519-848-0891
 WWW.RALSTONMETAL.COM