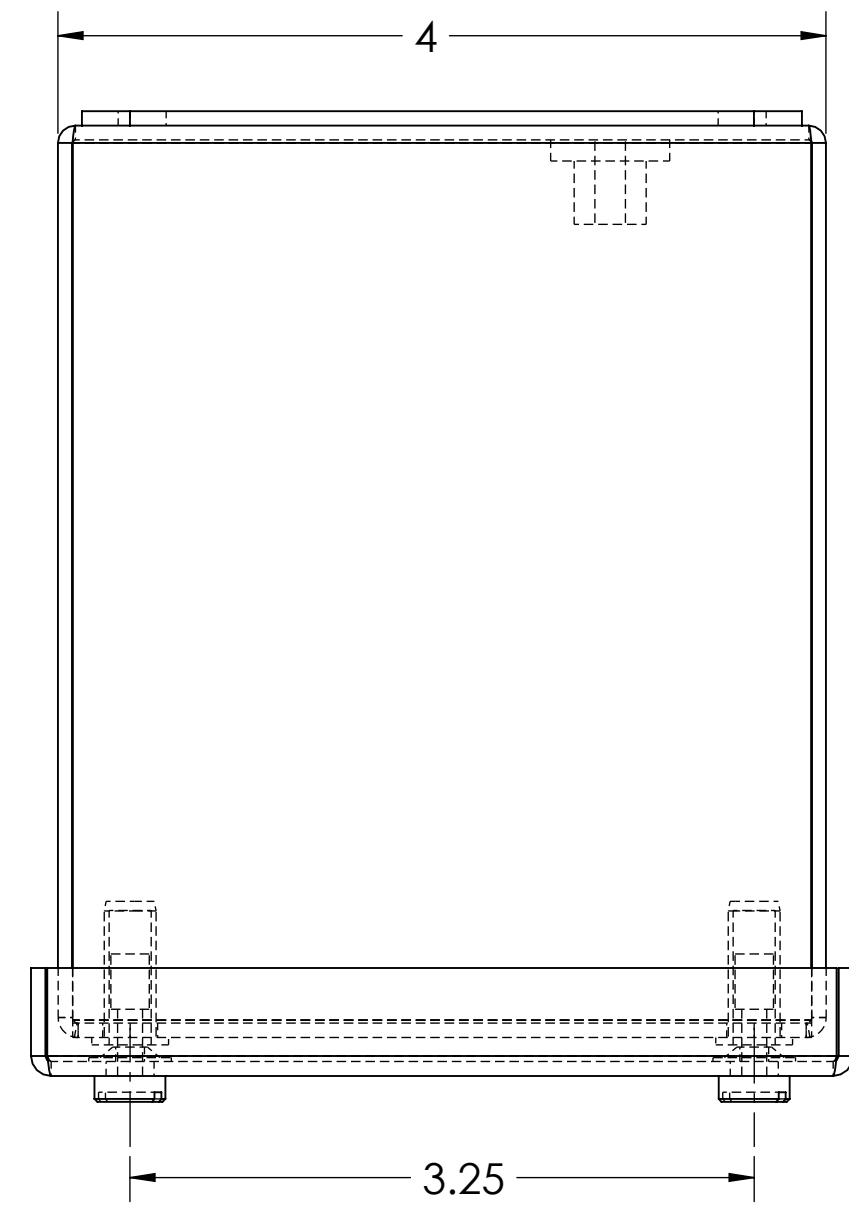


8 7 6 5 4 3 2 1

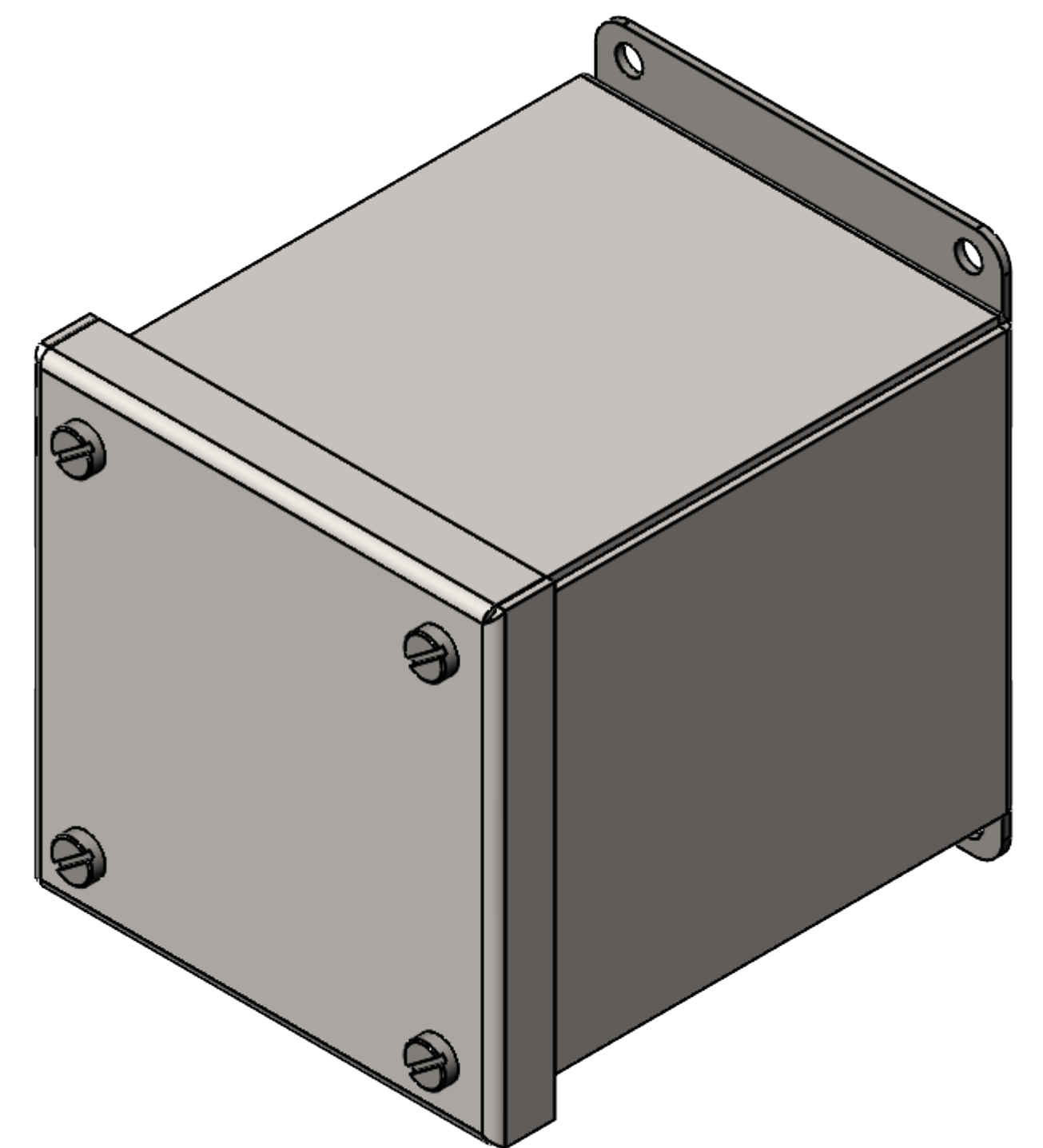
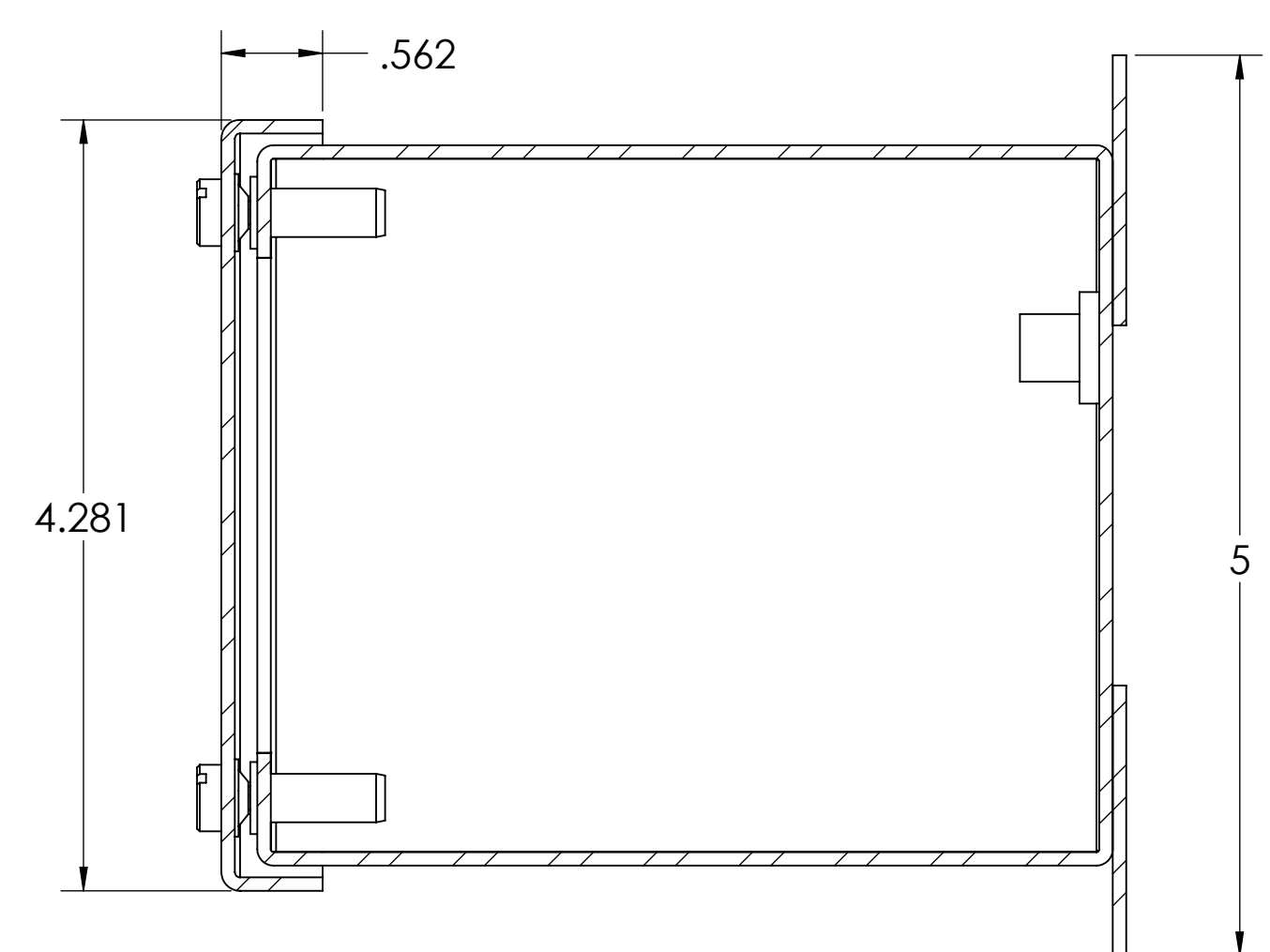
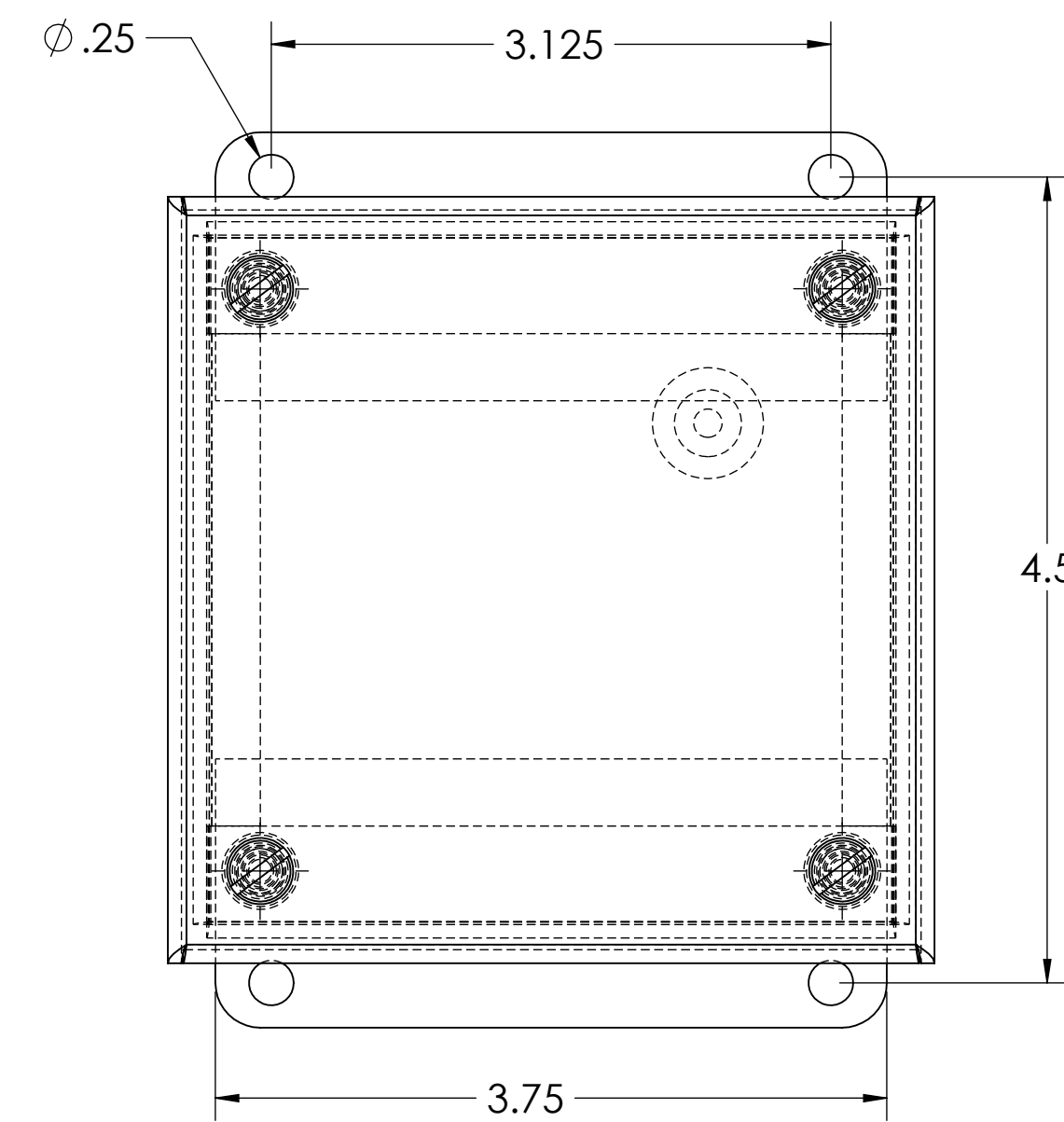
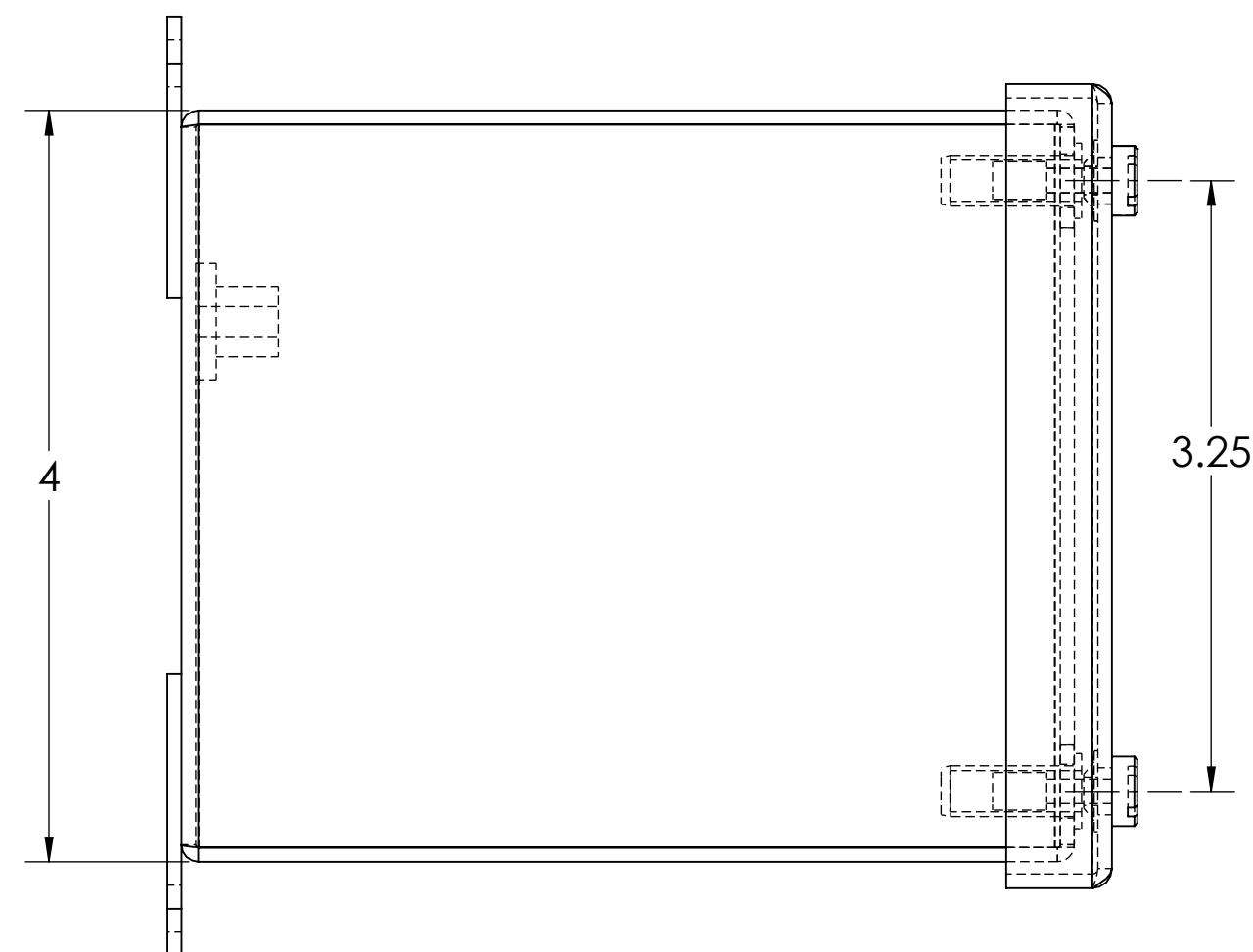
D

D



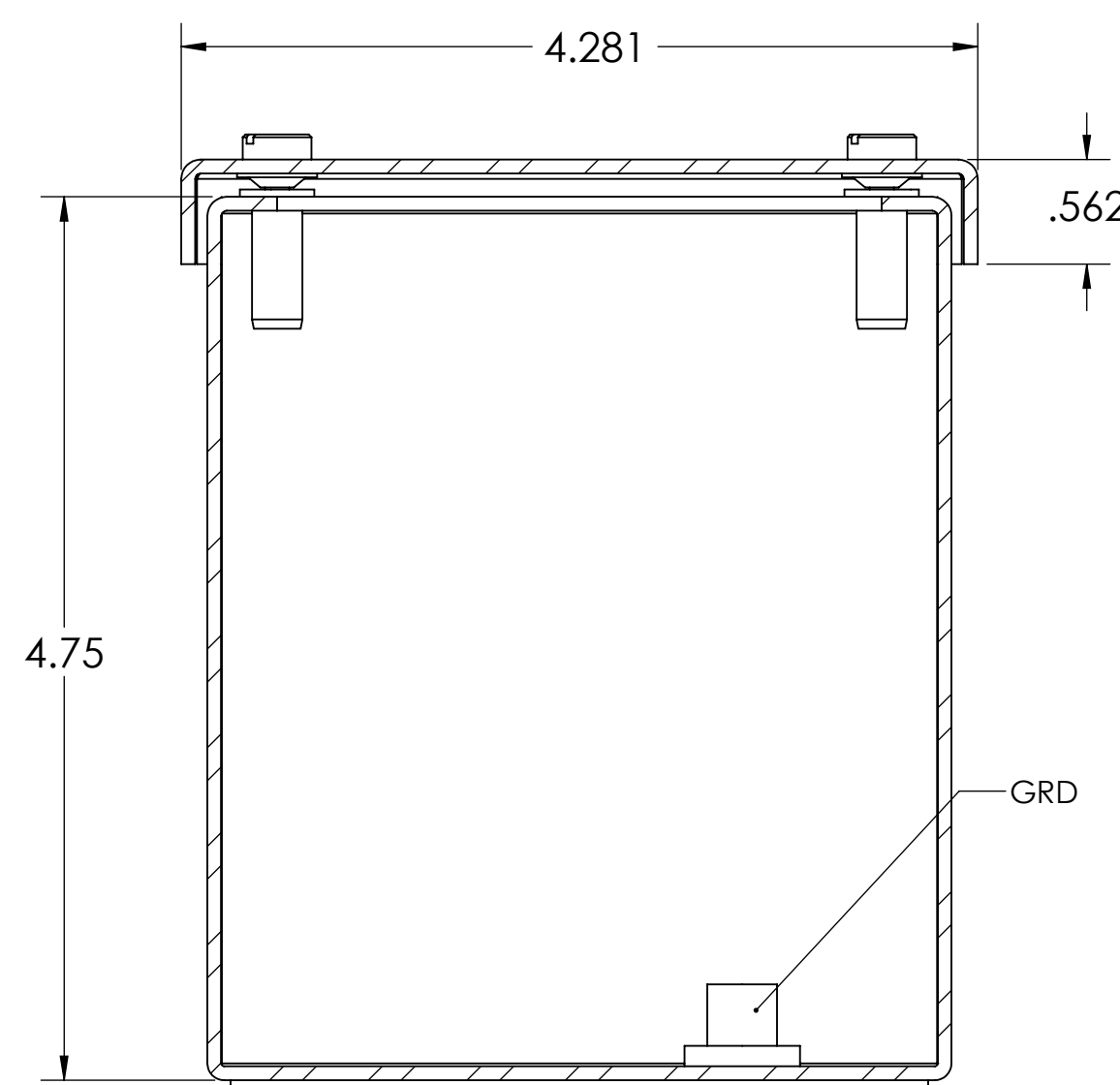
C

C



B

B



SECTION E-E

A

A

PROPRIETARY AND CONFIDENTIAL
 THE INFORMATION CONTAINED IN THIS DRAWING IS THE SOLE PROPERTY OF RALSTON METAL PRODUCTS. ANY REPRODUCTION IN PART OR AS A WHOLE WITHOUT THE WRITTEN PERMISSION OF RALSTON METAL PRODUCTS IS PROHIBITED.

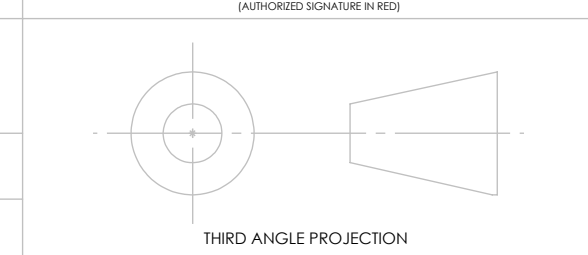
UNLESS OTHERWISE SPECIFIED:
 DIMENSIONS ARE IN INCHES
 TOLERANCES:
 FRACTIONAL ±
 ANGULAR: MACH ± BEND ±
 TWO PLACE DECIMAL ±
 THREE PLACE DECIMAL ±

DRAWN BY	NAME	DATE
ISSUED BY		

50 Watson Road, Guelph, Ontario N1L 1E2
 Phone: (519) 836-2968 Toll Free: 1-800-265-7611
 Fax: (519) 836-9763 www.ralstonmetal.com

JOB ORDER NO:	
CUSTOMER DRAWING NO:	

CUSTOMER:	
DWG. NO.	



SIZE	TITLE:	REV
D	PB37-1-BC	
SCALE: 1:1	WEIGHT: 2.81	SHEET 1 OF 1

8 7 6 5 4 3 2 1