

8

7

6

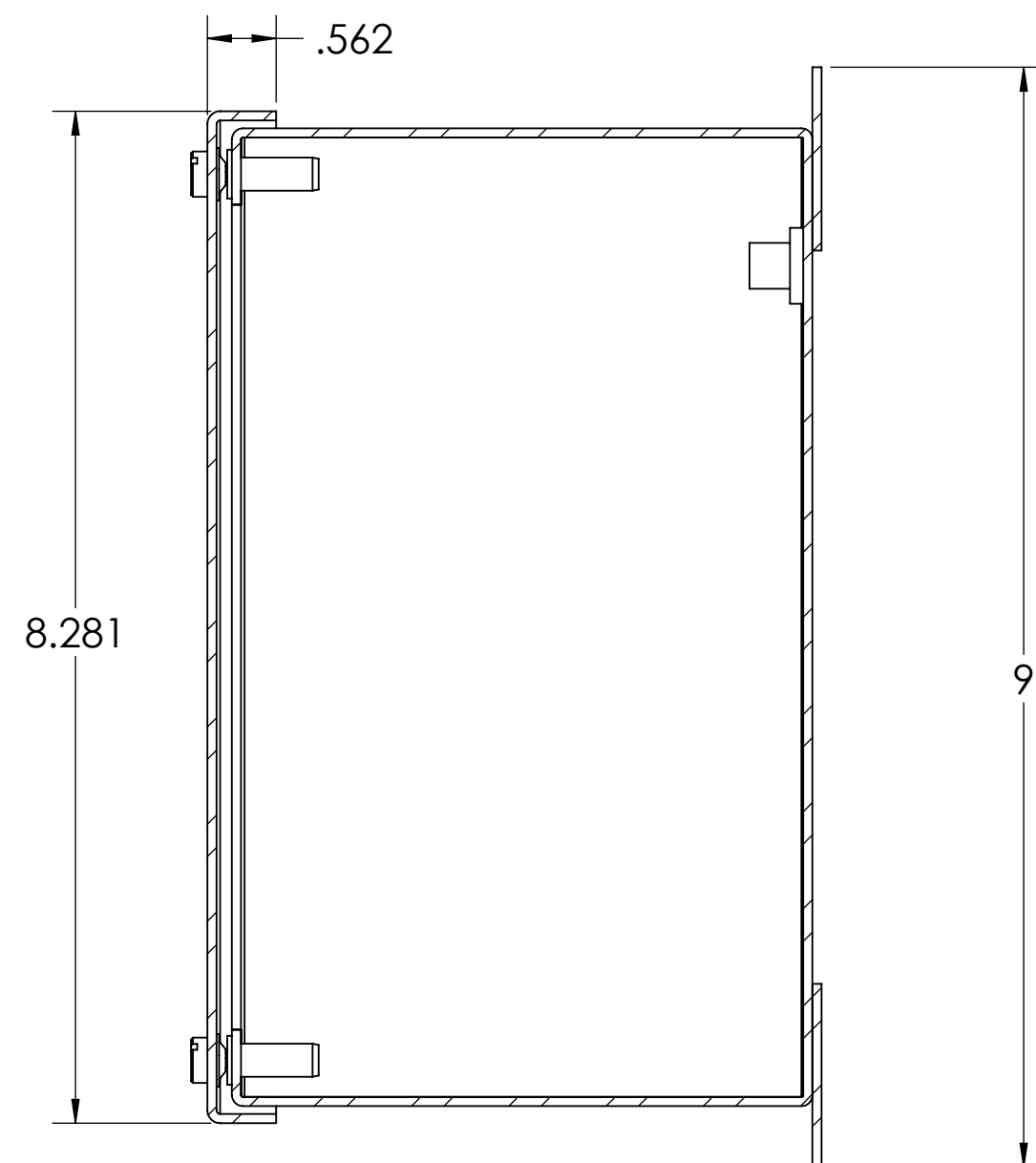
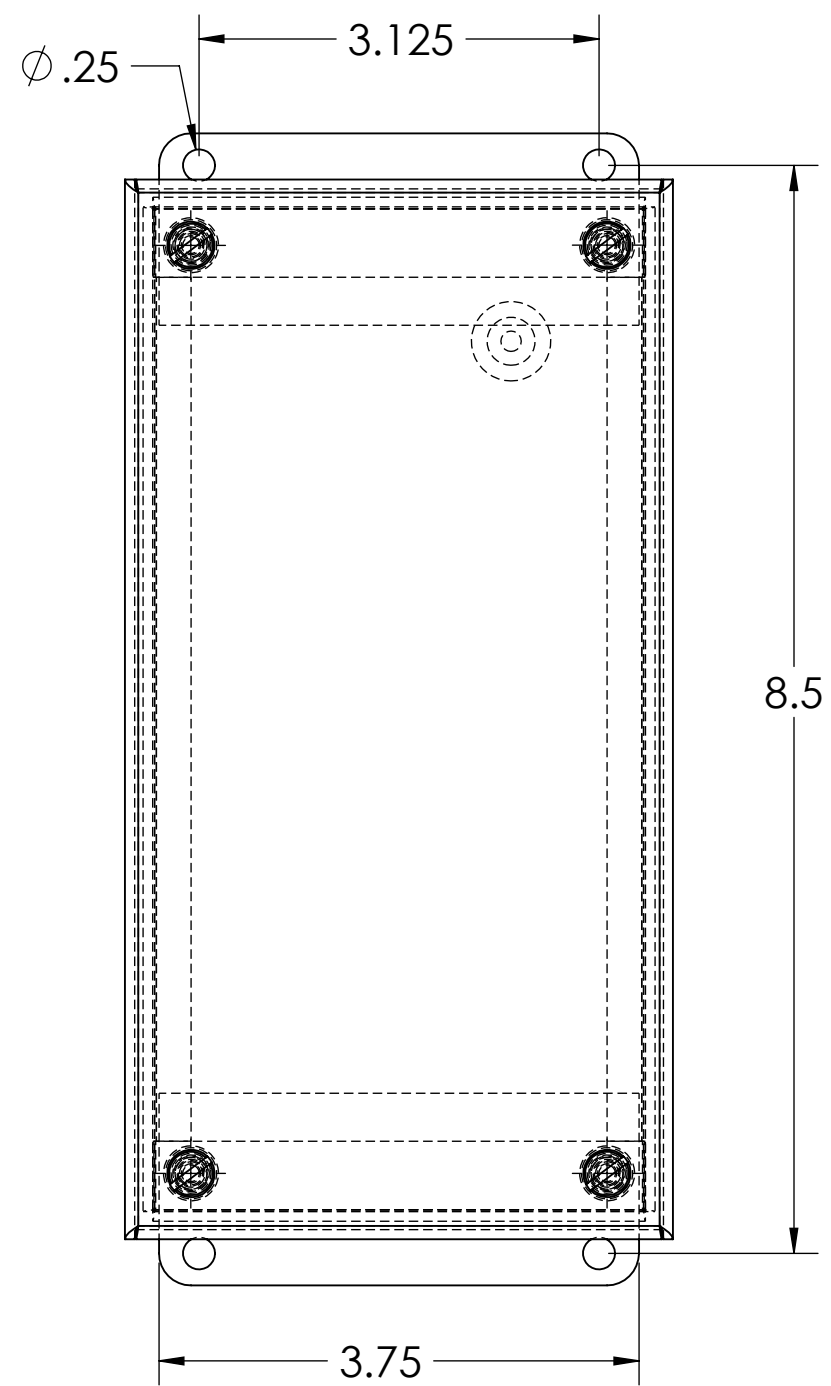
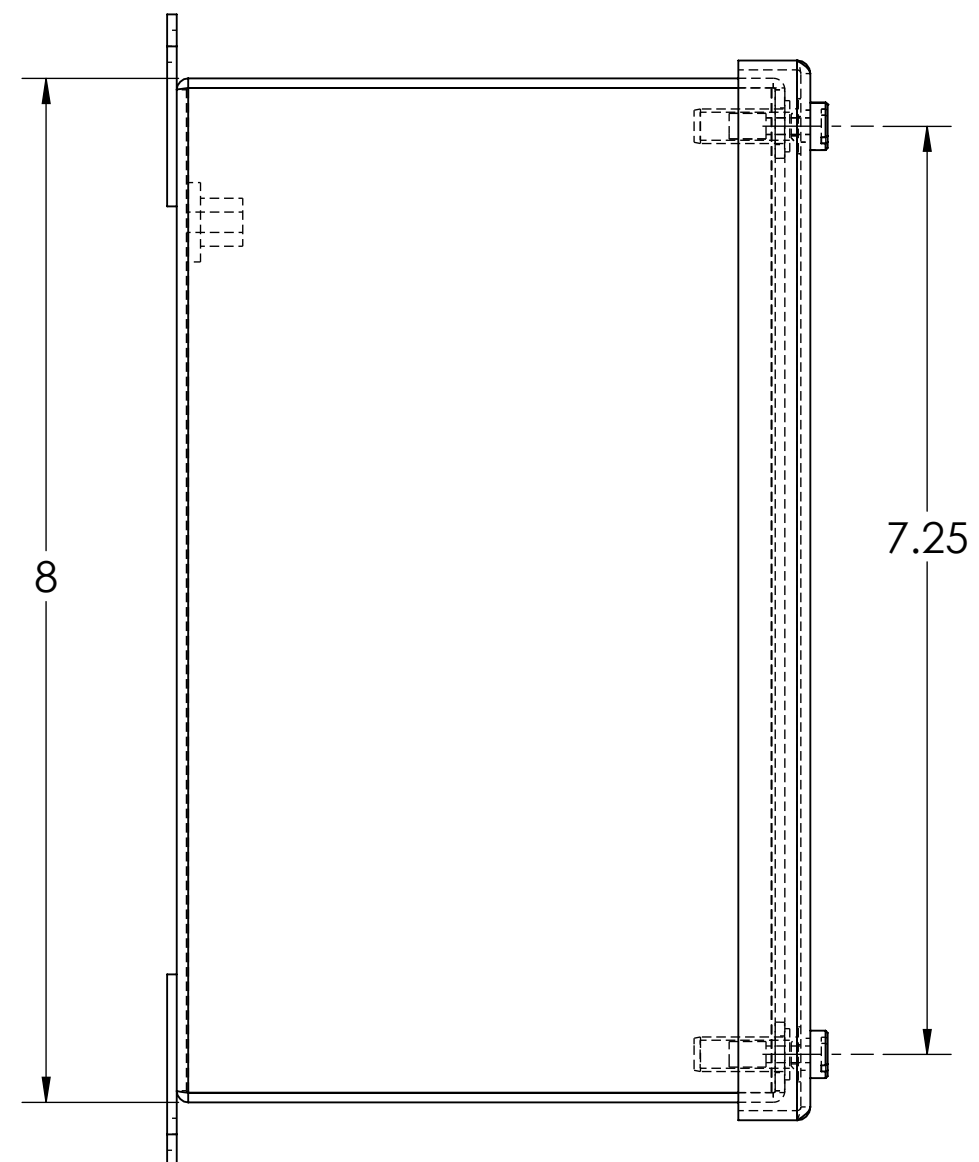
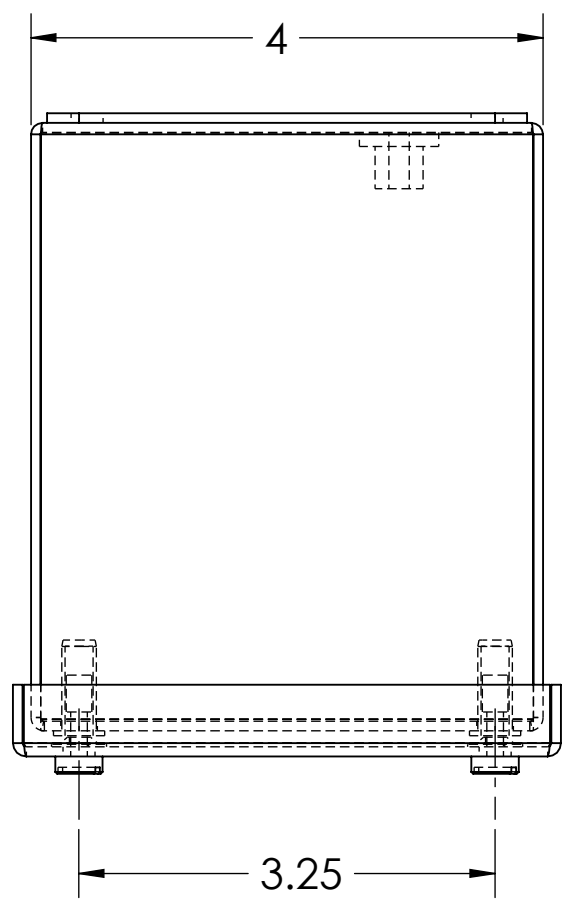
5

4

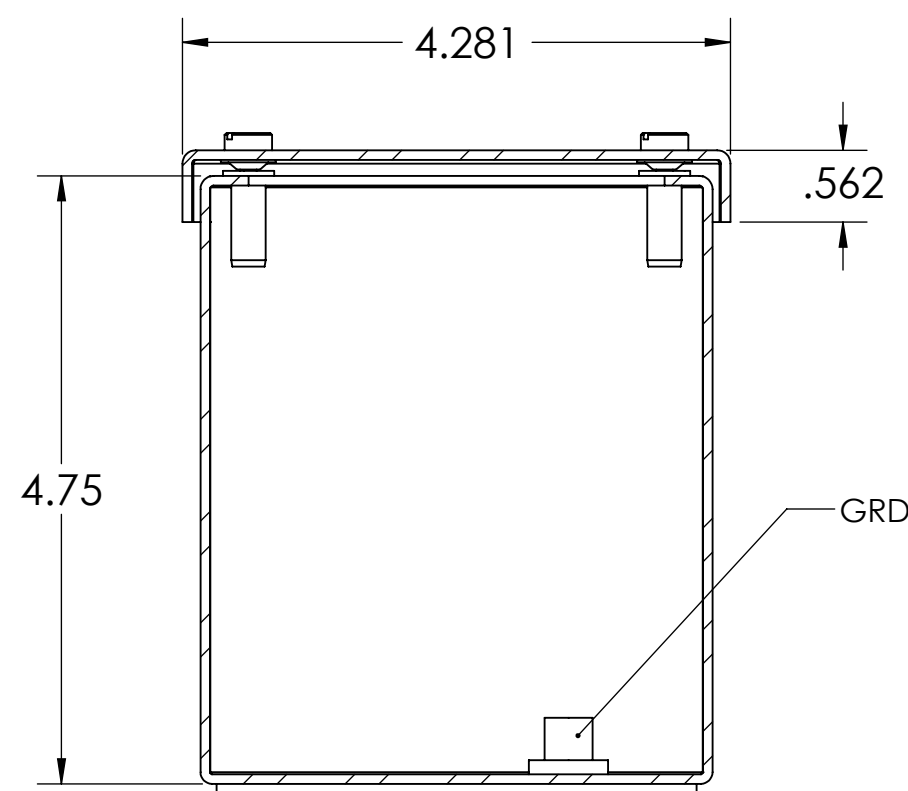
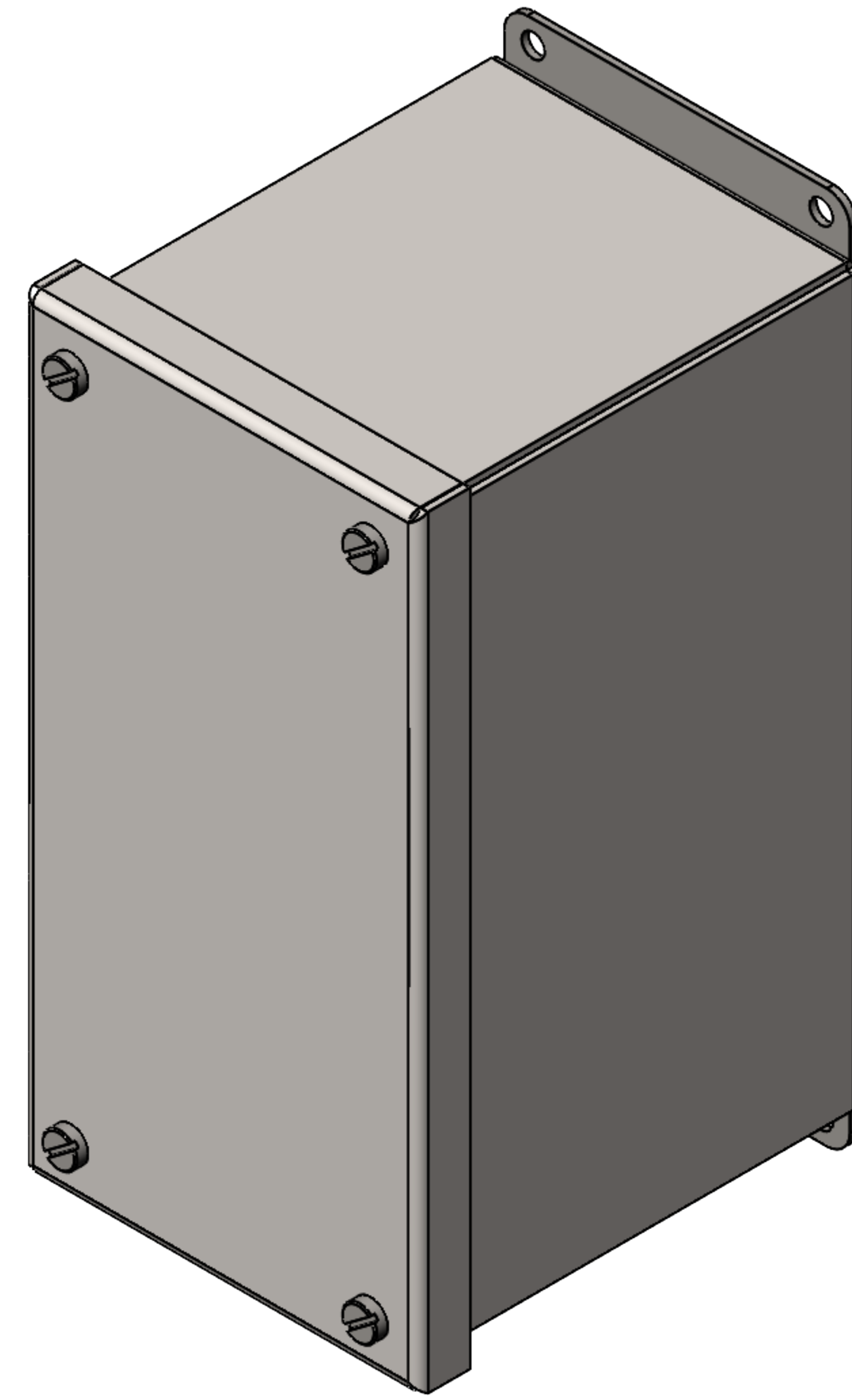
3

2

1



SECTION E-E  
SCALE 1 : 1.5



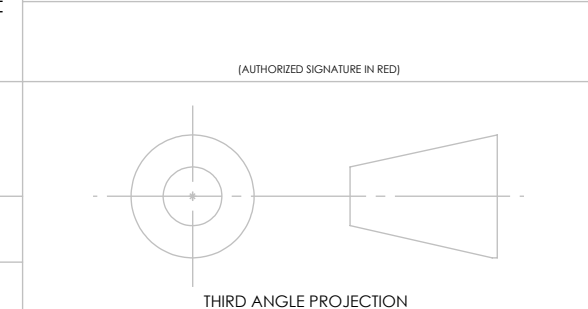
SECTION F-F  
SCALE 1 : 1.5

**PROPRIETARY AND CONFIDENTIAL**  
THE INFORMATION CONTAINED IN THIS DRAWING IS THE SOLE PROPERTY OF RALSTON METAL PRODUCTS. ANY REPRODUCTION IN PART OR AS A WHOLE WITHOUT THE WRITTEN PERMISSION OF RALSTON METAL PRODUCTS IS PROHIBITED.

UNLESS OTHERWISE SPECIFIED:  
DIMENSIONS ARE IN INCHES  
TOLERANCES:  
FRACTIONAL ±  
ANGULAR: MACH ± BEND ±  
TWO PLACE DECIMAL ±  
THREE PLACE DECIMAL ±

DRAWN BY	NAME	DATE
ISSUED BY		

JOB ORDER NO:  
CUSTOMER DRAWING NO:



**Ralston**  
Metal Products Limited

50 Watson Road, Guelph, Ontario N1L 1E2  
Phone: (519) 836-2968 Toll Free: 1-800-265-7611  
Fax: (519) 836-9763 www.ralstonmetal.com

CUSTOMER:		
DWG. NO.		
SIZE	TITLE	REV
<b>D</b>	<b>PB37-3-BC</b>	
SCALE: 1:1	WEIGHT: 4.42	SHEET 1 OF 1

8

7

6

5

4

3

2

1