

2

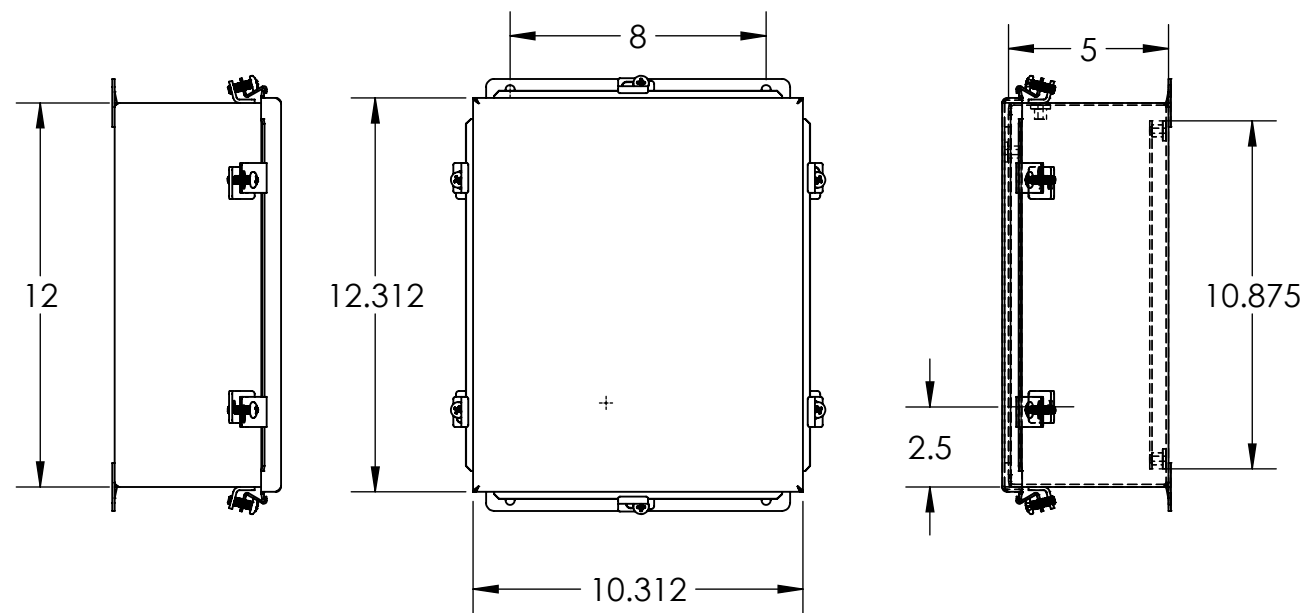
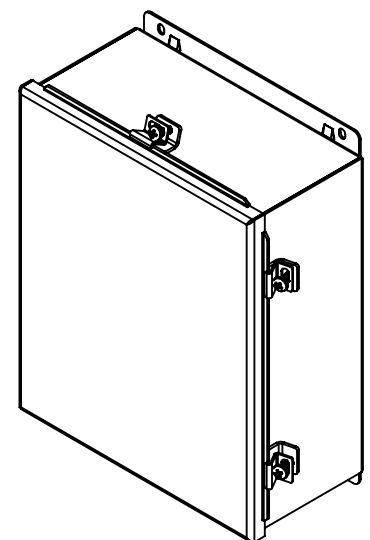
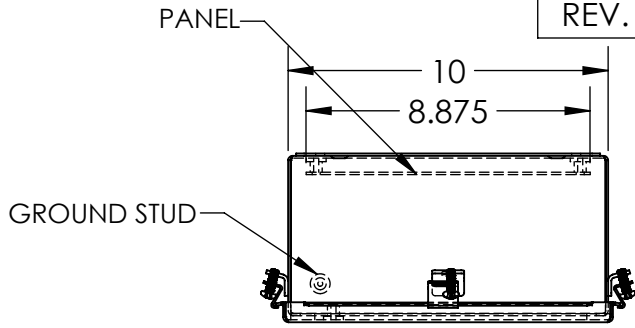
1

REVISIONS

REV.	DESCRIPTION	DATE	APPROVED
------	-------------	------	----------

B

B



A

A

<p>PROPRIETARY AND CONFIDENTIAL</p> <p>THE INFORMATION CONTAINED IN THIS DRAWING IS THE SOLE PROPERTY OF RALSTON METAL PRODUCTS. ANY REPRODUCTION IN PART OR AS A WHOLE WITHOUT THE WRITTEN PERMISSION OF RALSTON METAL PRODUCTS IS PROHIBITED.</p>	NAME	DATE	<p>50 Watson Road Guelph, Ontario N1L 1E2 Phone: (519) 836-2968 Toll Free: 1-800-265-7611 Fax: (519) 836-9763 www.ralstonmetal.com</p>						
	DRAWN BY	DAVE BURNS		1/31/2019					
<p>UNLESS OTHERWISE SPECIFIED</p> <p>DIMENSIONS ARE IN INCHES</p> <p>TOLERANCES:</p> <p>FRACTIONAL $\pm 1/32"$</p> <p>ANGULAR: MACH $\pm 1^\circ$ BEND $\pm 1/32"$</p> <p>ONE PLACE DECIMAL $\pm 0.1"$</p> <p>TWO PLACE DECIMAL $\pm 0.01"$</p> <p>THREE PLACE DECIMAL $\pm 0.005"$</p> <p>MATERIAL:</p> <p>SEE BOM</p> <p>FINISH:</p> <p>SEE BOM</p> <p>DO NOT SCALE DRAWING</p>	ISSUED BY		<p>CUSTOMER:</p> <p>SHOP DRAWING NUMBER:</p>						
	JOB ORDER NO:								
	CUSTOMER DRAWING NO:								
	(AUTHORIZED SIGNATURE IN RED)								
	<p>THIRD ANGLE PROJECTION</p>		<table border="1"> <tr> <td>SIZE</td> <td>PART NAME:</td> <td>REV.</td> </tr> <tr> <td>A</td> <td>IBWR-121005</td> <td>-</td> </tr> </table>	SIZE	PART NAME:	REV.	A	IBWR-121005	-
SIZE	PART NAME:	REV.							
A	IBWR-121005	-							
	PART NO.	IBWR 121005-DRAWING							
	SCALE: 1:6	WEIGHT: 13.896	SHEET 1 OF 1						

2

1