

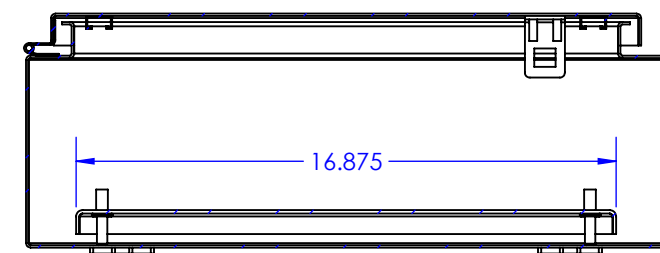
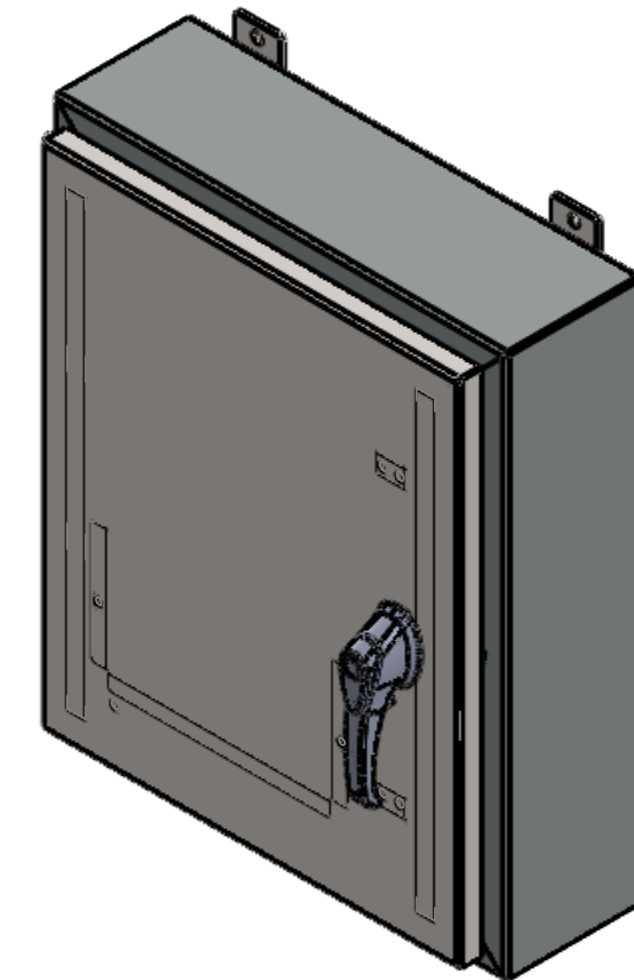
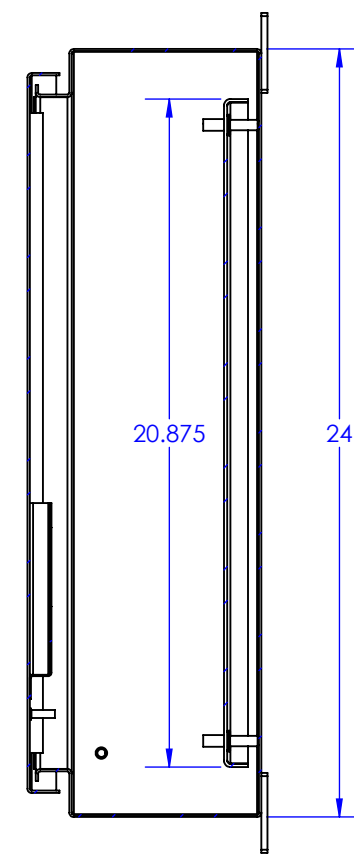
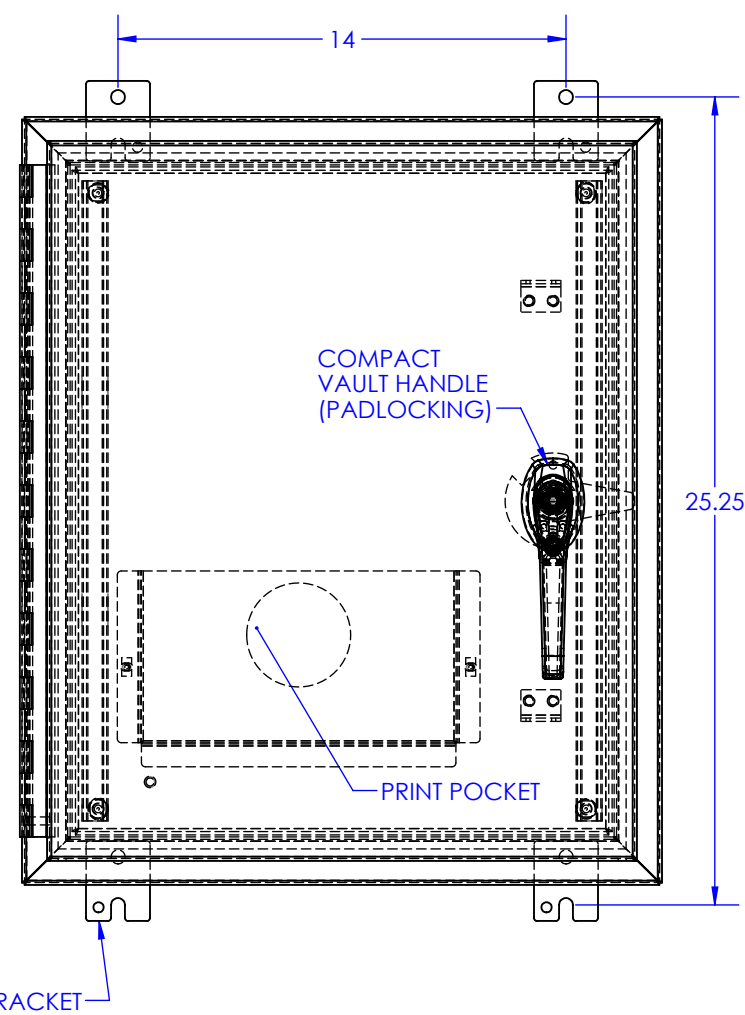
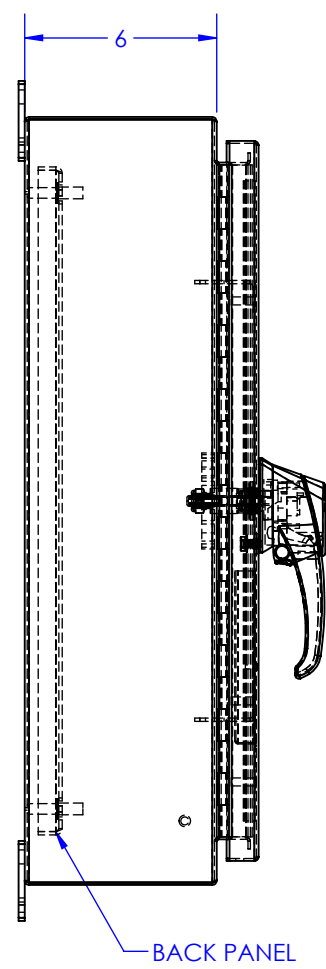
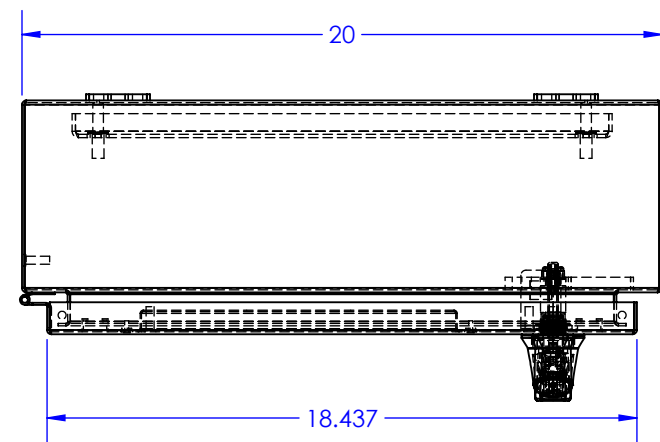
4

3

2

1

REVISIONS			
REV.	DESCRIPTION	DATE	APPROVED



SECTION D-D

SECTION C-C

<b>PROPRIETARY AND CONFIDENTIAL</b> THE INFORMATION CONTAINED IN THIS DRAWING IS THE SOLE PROPERTY OF RALSTON METAL PRODUCTS. ANY REPRODUCTION IN PART OR AS A WHOLE WITHOUT THE WRITTEN PERMISSION OF RALSTON METAL PRODUCTS IS PROHIBITED.		NAME DAVE BURNS	DATE 2022-03-07	<p>50 WATSON ROAD QUELUP, ONTARIO N7L 1E2 PHONE: (519) 836-2969 TOLL FREE: 1-800-265-7611 FAX: (519) 836-9793</p>
UNLESS OTHERWISE SPECIFIED DIMENSIONS ARE IN INCHES TOLERANCES: FRACTIONAL ± 1/32" ANGULAR MATCH 1" ONE PLACE DECIMAL ± 0.1" TWO PLACE DECIMAL ± 0.01" THREE PLACE DECIMAL ± 0.005" MATERIAL: SEE BOM		ISSUED BY DAVE BURNS	DATE 2022-03-07	
FINISH: SEE BOM		JOB ORDER NO:		CUSTOMER: RALSTON STOCK
DO NOT SCALE DRAWING		THIRD ANGLE PROJECTION		SHOP DRAWING NUMBER: C N43P-242006
		SCALE: 1:6		WEIGHT: 51.514
		SHEET 1 OF 1		

4

3

2

1