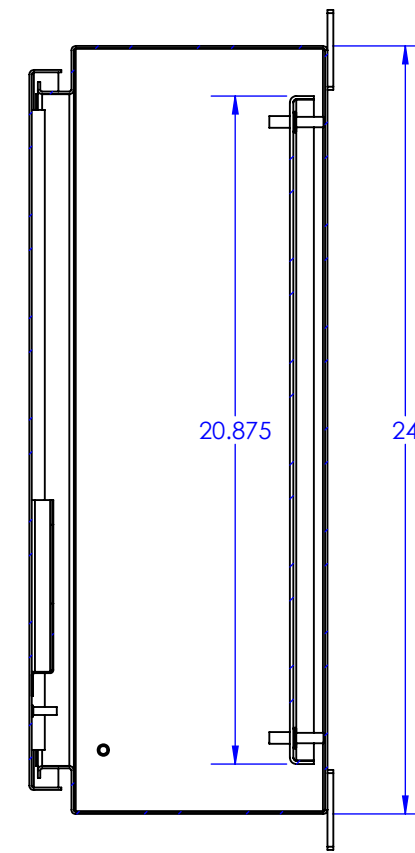
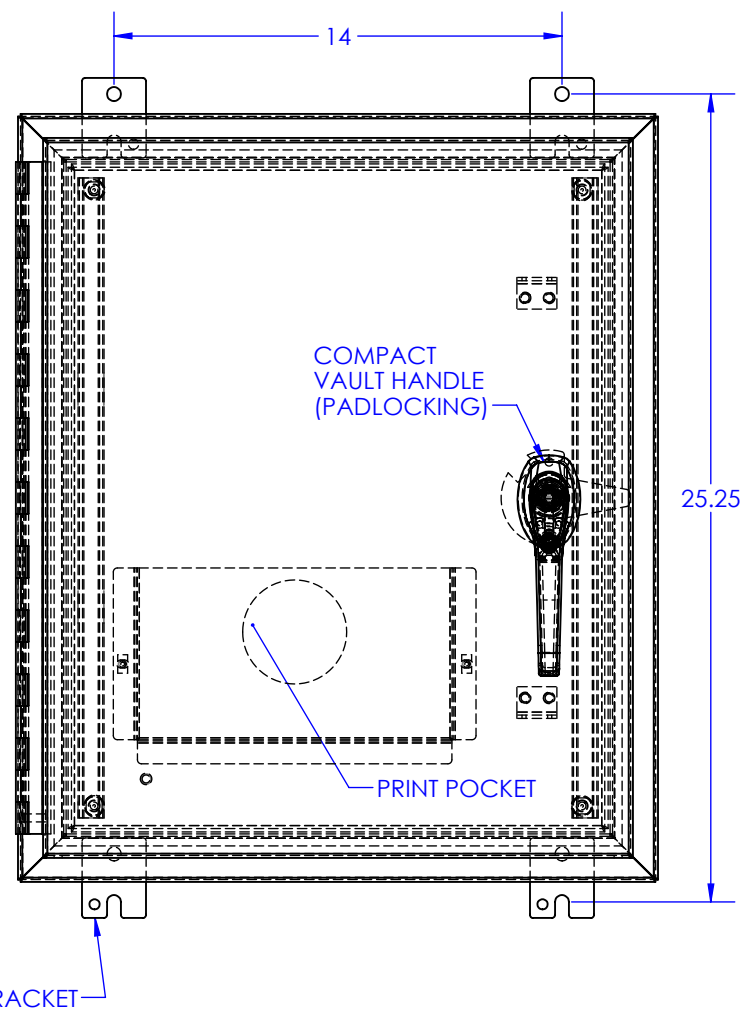
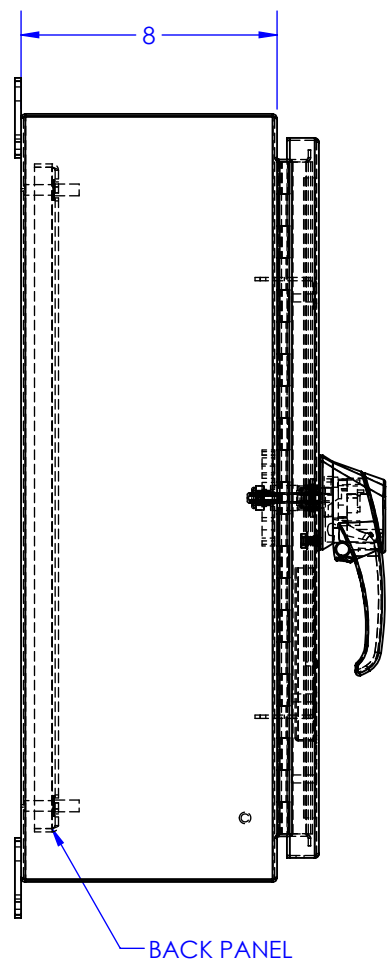
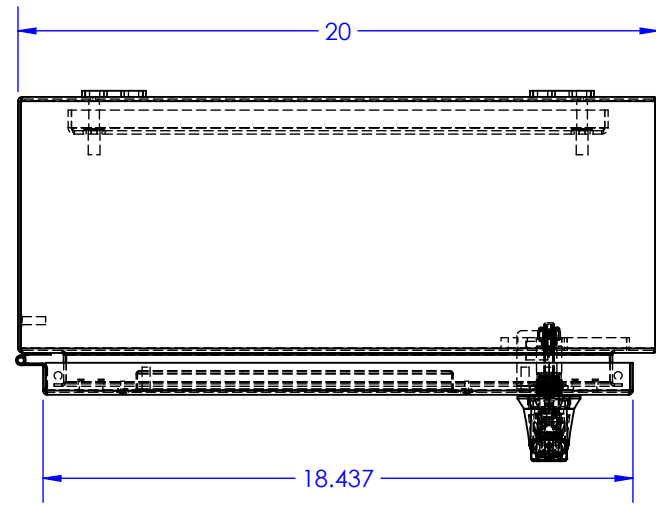
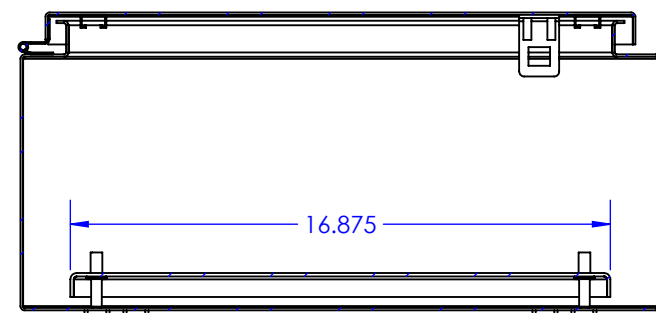


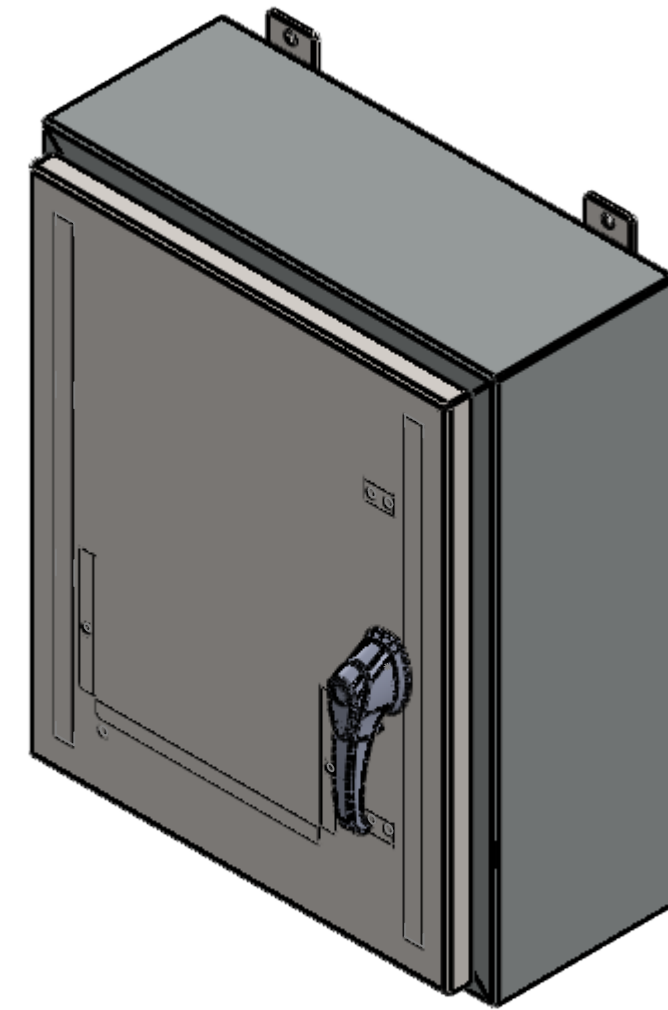
REVISIONS			
REV.	DESCRIPTION	DATE	APPROVED



SECTION C-C



SECTION D-D



PROPRIETARY AND CONFIDENTIAL THE INFORMATION CONTAINED IN THIS DRAWING IS THE SOLE PROPERTY OF RALSTON METAL PRODUCTS. ANY REPRODUCTION IN PART OR AS A WHOLE WITHOUT THE WRITTEN PERMISSION OF RALSTON METAL PRODUCTS IS PROHIBITED.		NAME: DAVE BURNS	DATE: 2022-03-07		50 WATSON ROAD QUELPS, ONTARIO N7L 1E2 PHONE: (519) 836-2969 TOLL FREE: 1-800-265-7611 FAX: (519) 836-9793
UNLESS OTHERWISE SPECIFIED DIMENSIONS ARE IN INCHES TOLERANCES: FRACTIONAL ±1/32" ANGULAR MATCH 1" ONE PLACE DECIMAL ±0.1" TWO PLACE DECIMAL ±0.01" THREE PLACE DECIMAL ±0.005" MATERIAL: SEE BOM		ISSUED BY: DAVE BURNS	DATE: 2022-03-07		CUSTOMER: RALSTON STOCK
FINISH: SEE BOM		CUSTOMER DRAWING NO:		SHOP DRAWING NUMBER:	REV.:
DO NOT SCALE DRAWING		THIRD ANGLE PROJECTION		SIZE: C	PART NAME: N43P-242008
				PART NO.: N43P-242008	WEIGHT: 55.206
				SHEET 1 OF 1	