

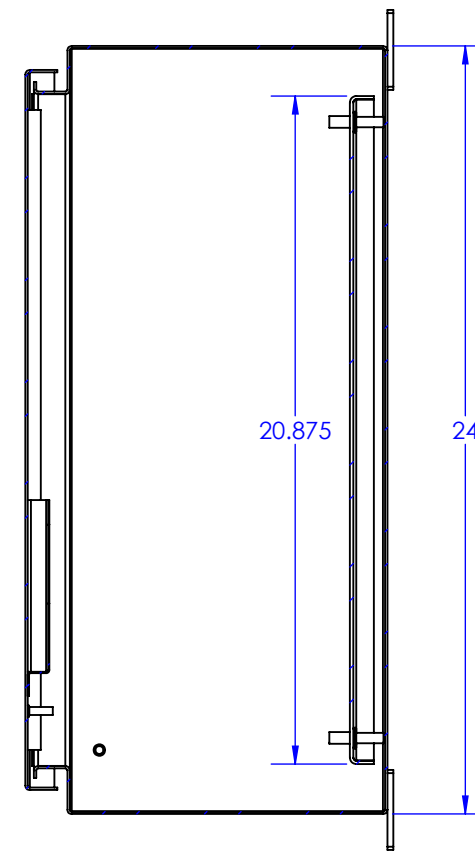
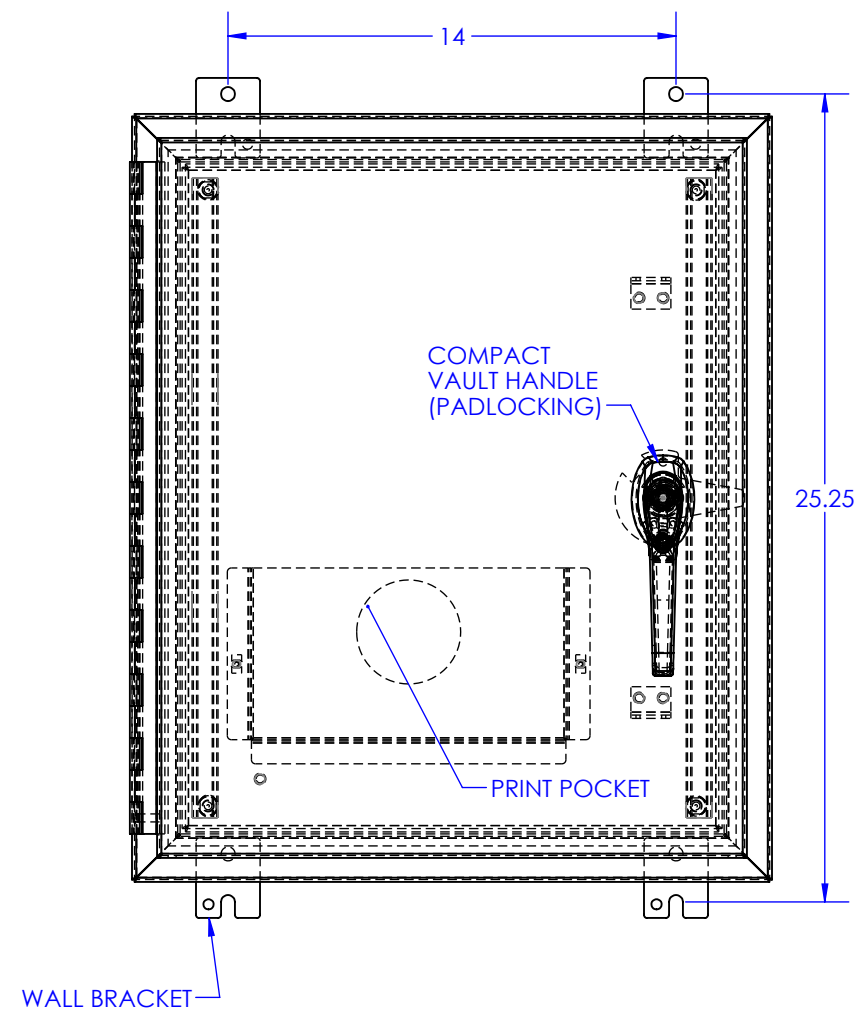
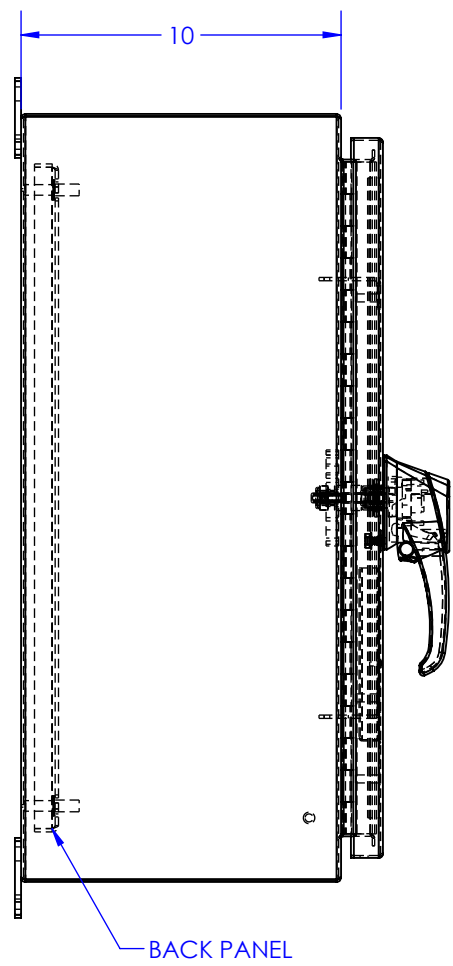
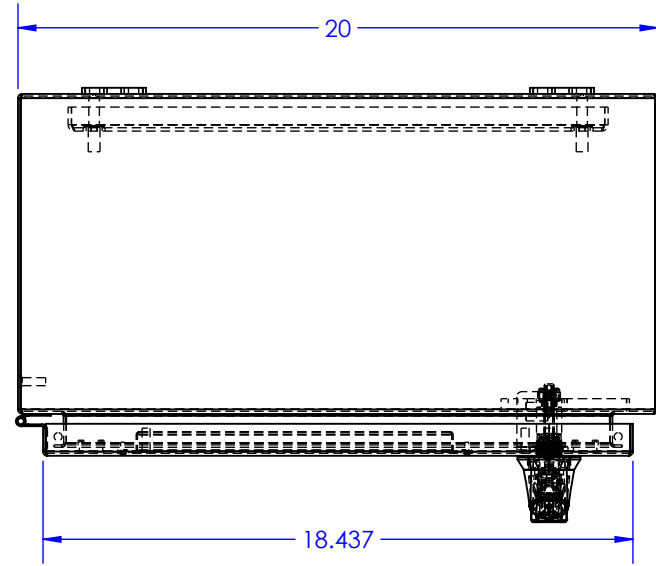
4

3

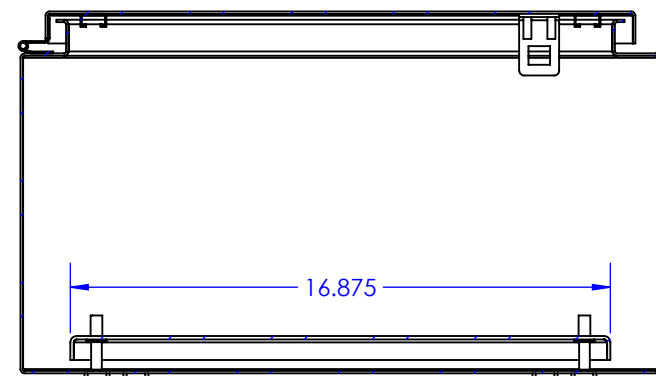
2

1

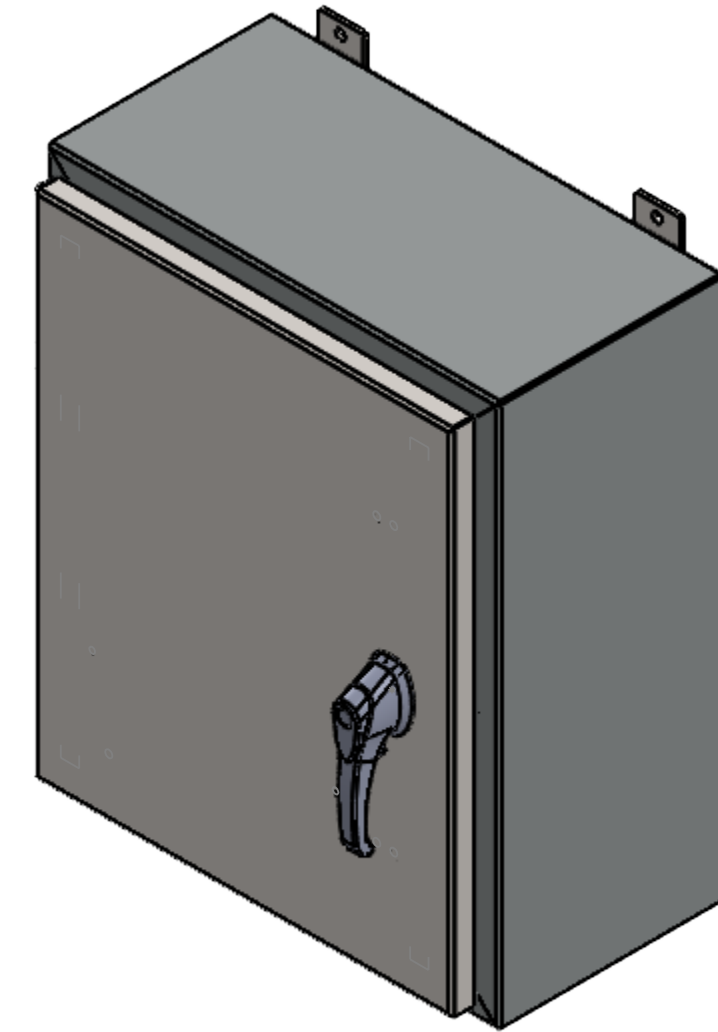
REVISIONS			
REV.	DESCRIPTION	DATE	APPROVED



SECTION C-C



SECTION D-D



D

C

B

A

<b>PROPRIETARY AND CONFIDENTIAL</b> THE INFORMATION CONTAINED IN THIS DRAWING IS THE SOLE PROPERTY OF RALSTON METAL PRODUCTS. ANY REPRODUCTION IN PART OR AS A WHOLE WITHOUT THE WRITTEN PERMISSION OF RALSTON METAL PRODUCTS IS PROHIBITED.	NAME	DATE	 <b>Ralston</b> Metal Products Limited <small>50 WATSON ROAD, QUELPSH, ONTARIO, N1L 1E2          PHONE: (519) 836-2969          TOLL FREE: 1-800-265-7611          FAX: (519) 836-9793</small>
	DRAWN BY: DHANIK DESAI	2022-12-20	
ISSUED BY:	JOB ORDER NO:	CUSTOMER DRAWING NO:	CUSTOMER:
UNLESS OTHERWISE SPECIFIED	DIMENSIONS ARE IN INCHES		RALSTON STOCK
TOLERANCES:	FRACTIONAL ± 1/32"		SHOP DRAWING NUMBER:
ANGULAR: MACH 1:1	BEND ± 1/32"	ONE PLACE DECIMAL ± 0.1"	SIZE PART NAME: REV.
TWO PLACE DECIMAL ± 0.01"	THREE PLACE DECIMAL ± 0.005"	MATERIAL:	<b>C</b> N43P-242010 -
SEE BOM	FINISH:		PART NO. N43P-242010
SEE BOM	DO NOT SCALE DRAWING		SCALE: 1:6 WEIGHT: 58.897 SHEET 1 OF 1

4

3

2

1