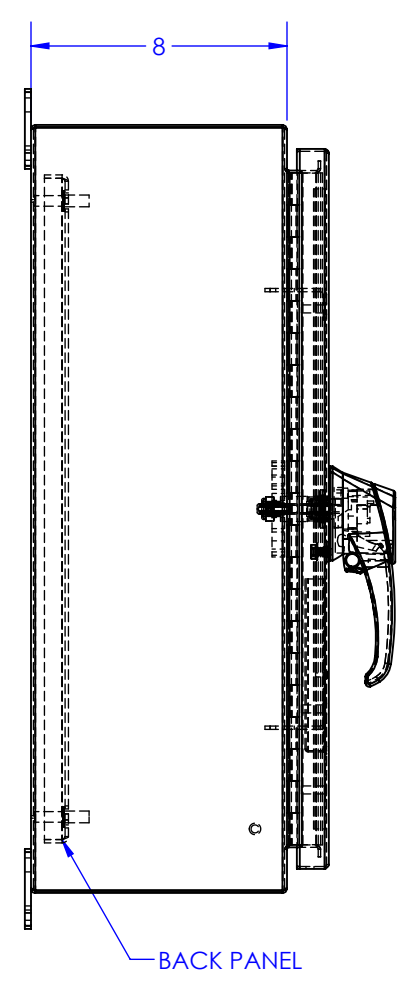
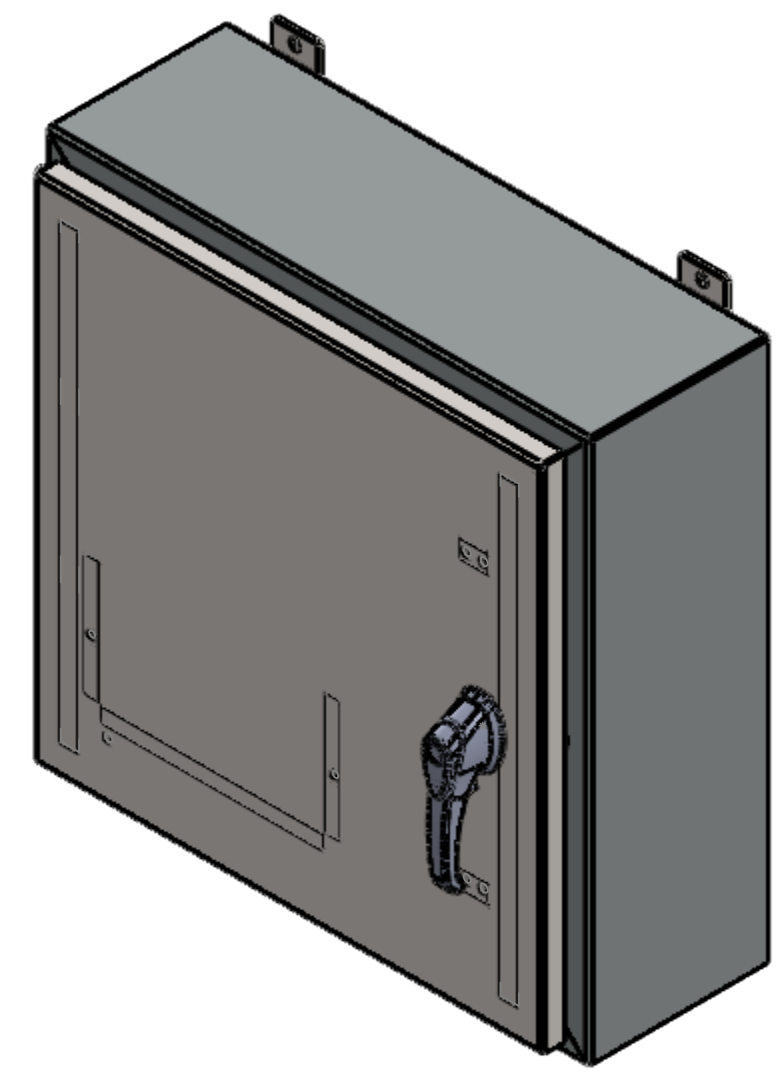
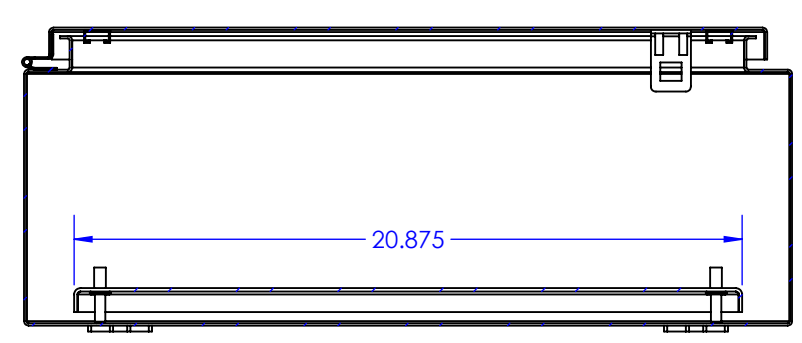
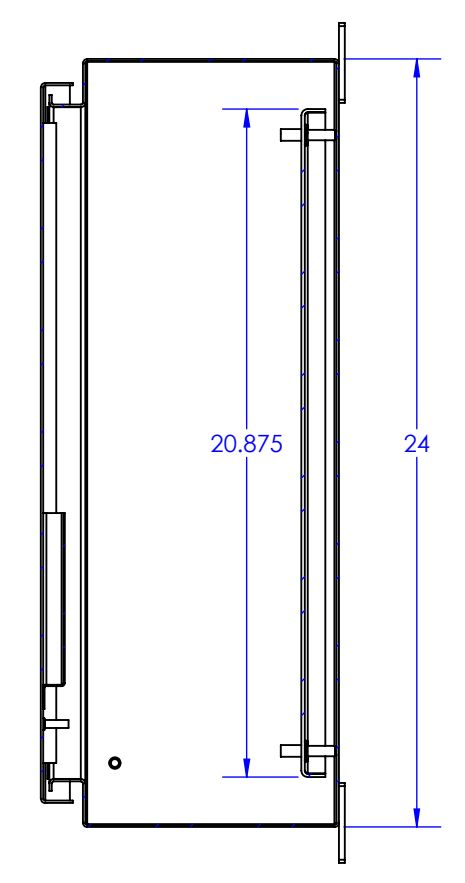
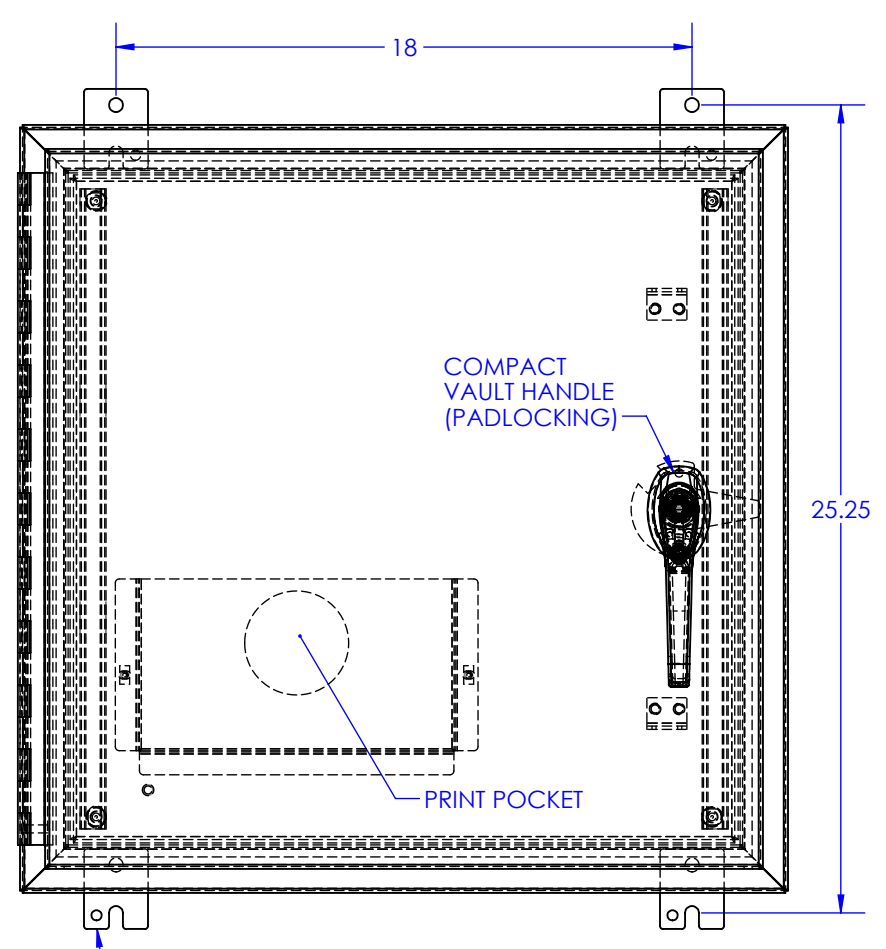
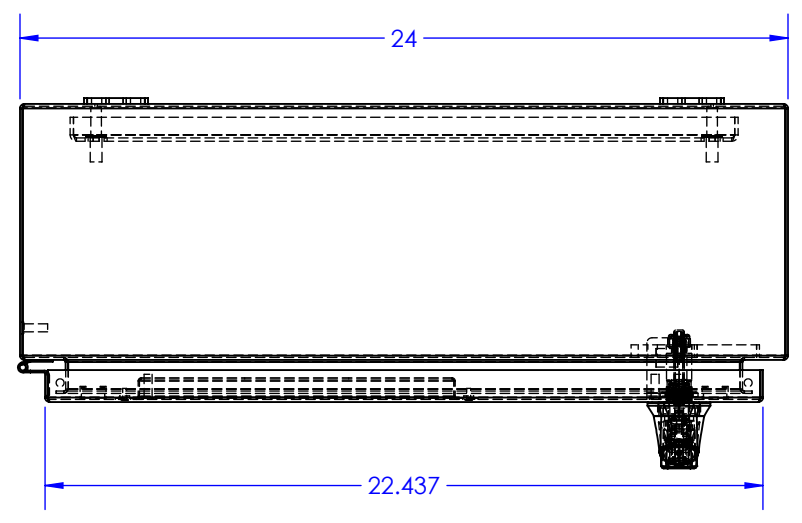


REVISIONS			
REV.	DESCRIPTION	DATE	APPROVED



WALL BRACKET

SECTION C-C

SECTION D-D

PROPRIETARY AND CONFIDENTIAL THE INFORMATION CONTAINED IN THIS DRAWING IS THE SOLE PROPERTY OF RALSTON METAL PRODUCTS. ANY REPRODUCTION IN PART OR AS A WHOLE WITHOUT THE WRITTEN PERMISSION OF RALSTON METAL PRODUCTS IS PROHIBITED.	NAME	DATE	 Ralston Metal Products Limited <small>50 WATSON ROAD, QUELUP, ONTARIO N1L 1E2 PHONE: (519) 836-2969 TOLL FREE: 1-800-265-7611 FAX: (519) 836-9793</small>
	DRAWN BY	DATE	
UNLESS OTHERWISE SPECIFIED DIMENSIONS ARE IN INCHES TOLERANCES: FRACTIONAL ± 1/32" ANGULAR MATCH 1" ONE PLACE DECIMAL ± 0.1" TWO PLACE DECIMAL ± 0.01" THREE PLACE DECIMAL ± 0.005" MATERIAL:	ISSUED BY	DATE	CUSTOMER:
	JOB ORDER NO:		RALSTON STOCK
SEE BOM	CUSTOMER DRAWING NO:		SHOP DRAWING NUMBER:
FINISH:	(AUTHORIZED SIGNATURE IN RED) 		SIZE
SEE BOM			PART NAME:
DO NOT SCALE DRAWING	THIRD ANGLE PROJECTION	SCALE: 1:6	WEIGHT: 63.665