

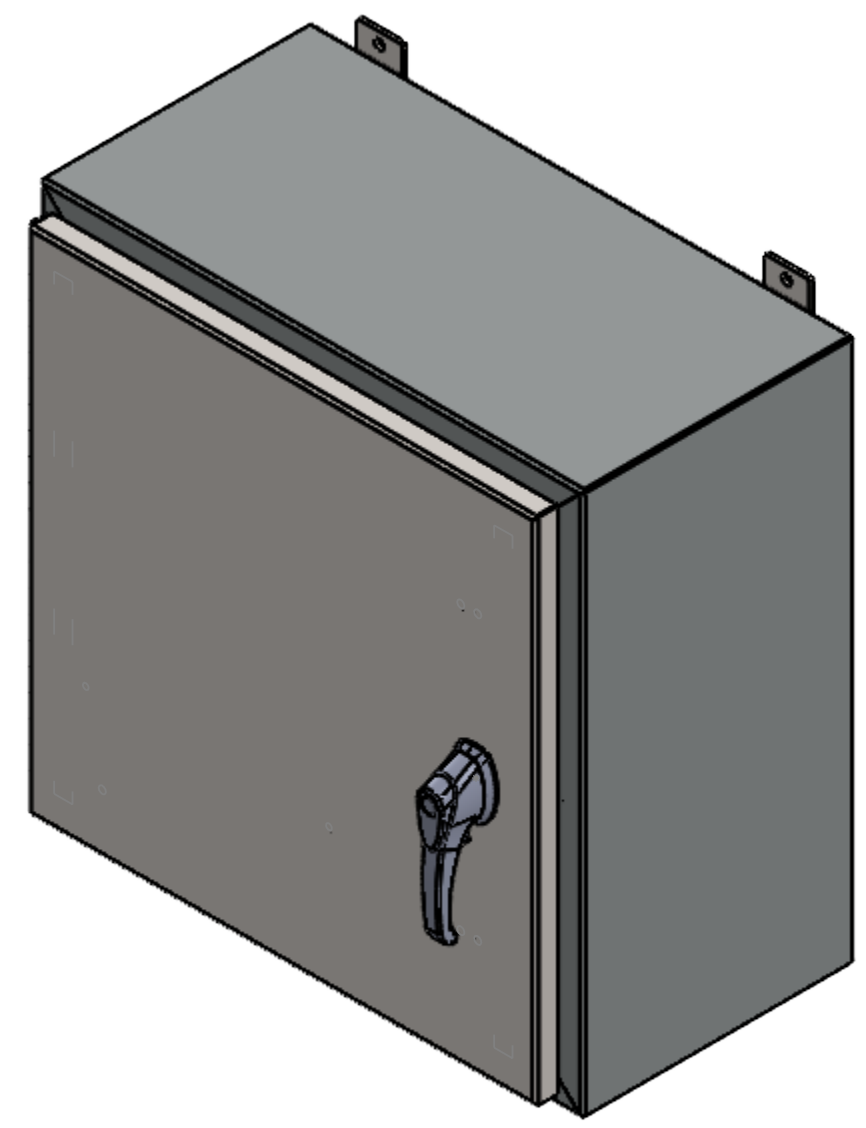
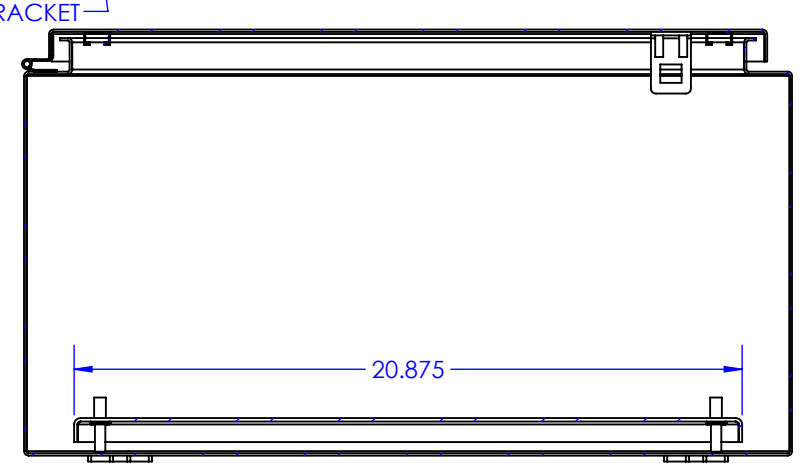
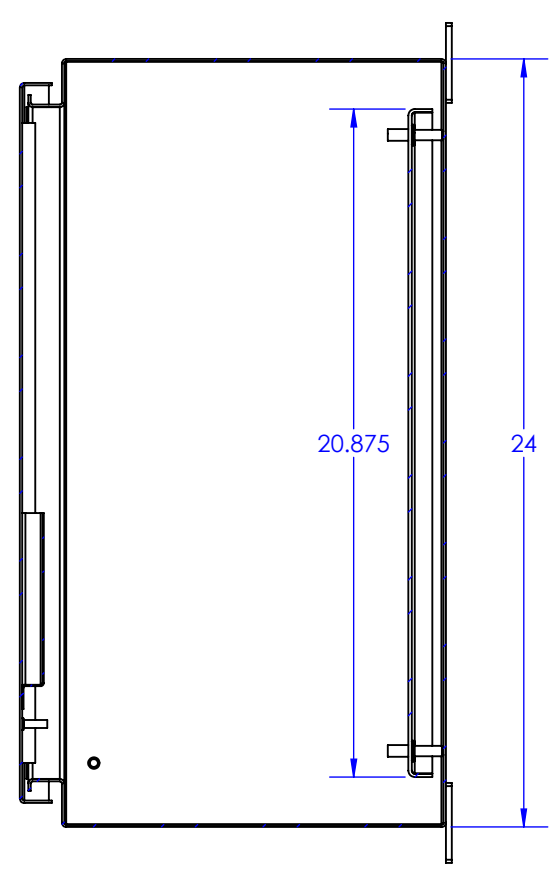
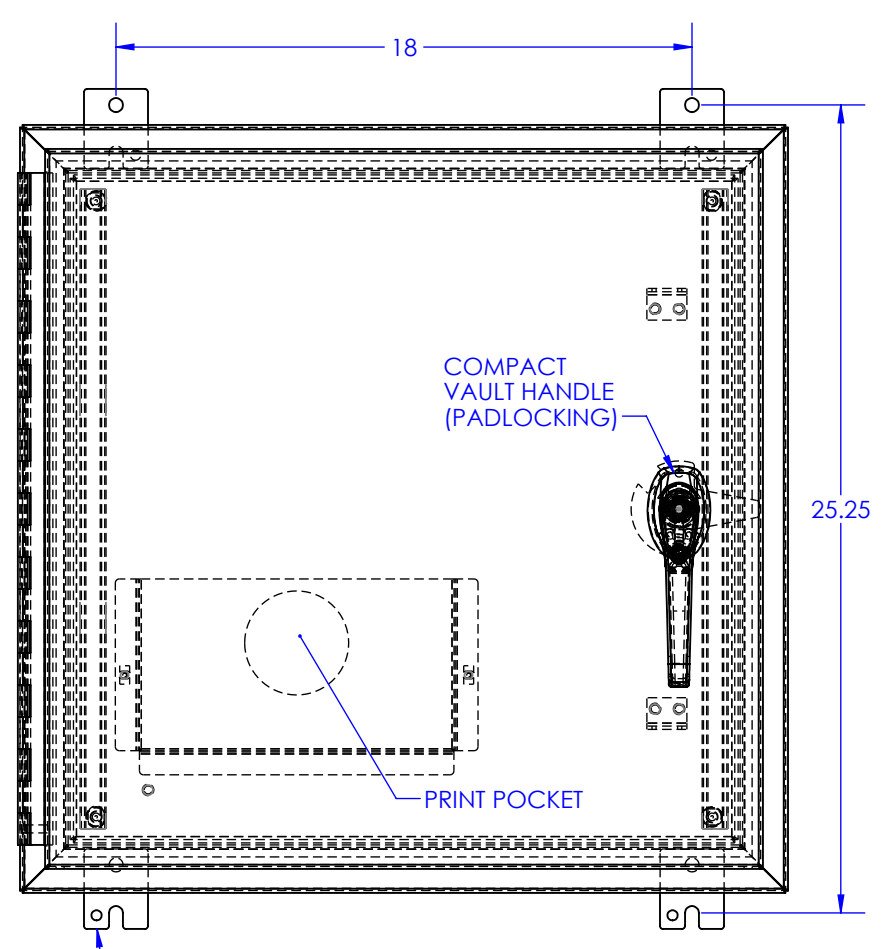
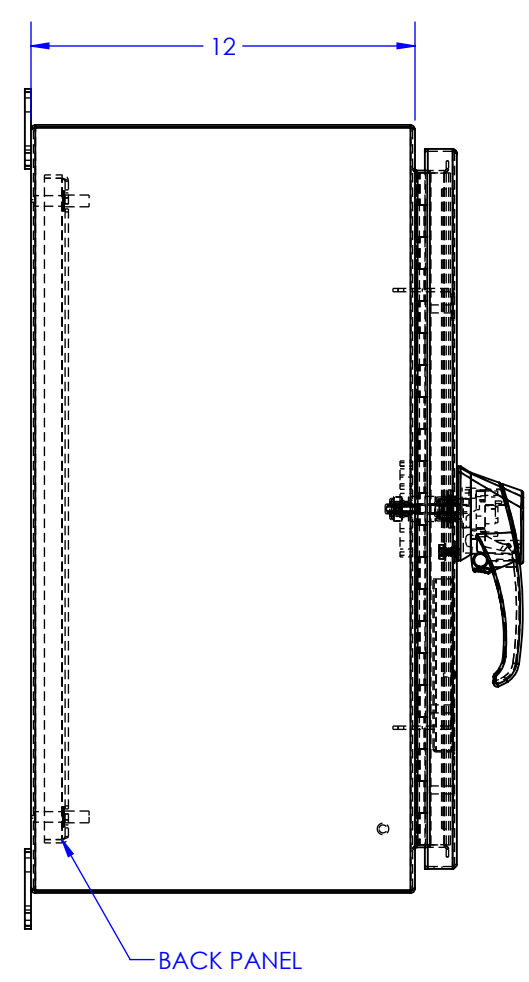
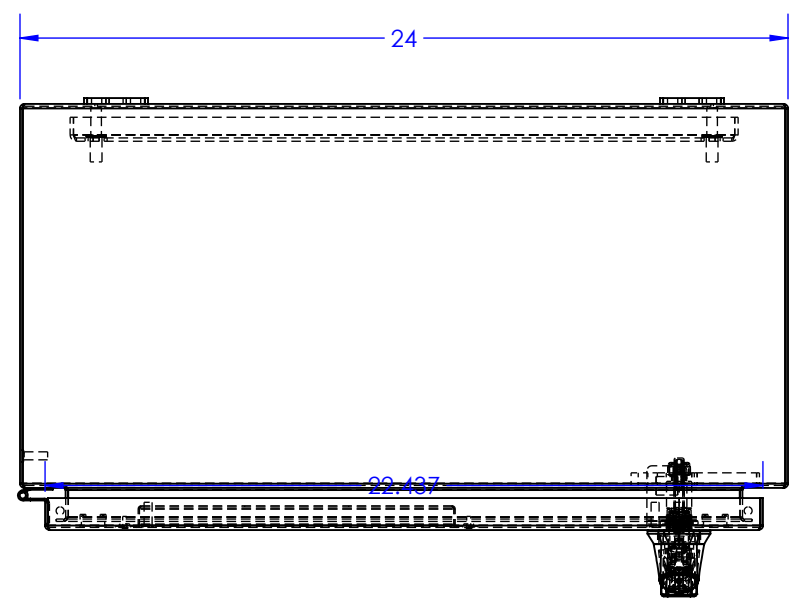
4

3

2

1

REVISIONS			
REV.	DESCRIPTION	DATE	APPROVED



SECTION C-C

SECTION D-D

D

D

C

C

B

B

A

A

<b>PROPRIETARY AND CONFIDENTIAL</b> THE INFORMATION CONTAINED IN THIS DRAWING IS THE SOLE PROPERTY OF RALSTON METAL PRODUCTS. ANY REPRODUCTION IN PART OR AS A WHOLE WITHOUT THE WRITTEN PERMISSION OF RALSTON METAL PRODUCTS IS PROHIBITED.	NAME	DATE		50 WATSON ROAD QUELPS, ONTARIO N7L 1E2 PHONE: (519) 836-2969 TOLL FREE: 1-800-265-7611 FAX: (519) 836-9793	
	DRAWN BY	DHANK DESAI			2022-03-07
<b>UNLESS OTHERWISE SPECIFIED</b> DIMENSIONS ARE IN INCHES TOLERANCES: FRACTIONAL ± 1/32" ANGULAR ± 0.001" ONE PLACE DECIMAL ± 0.1" TWO PLACE DECIMAL ± 0.01" THREE PLACE DECIMAL ± 0.002" MATERIAL:	JOB ORDER NO:		CUSTOMER:		
	CUSTOMER DRAWING NO:		RALSTON STOCK		
SEE BOM	(AUTHORIZED SIGNATURE IN RED) 		SIZE	PART NAME:	REV.
FINISH:			C	N43P-242412	-
SEE BOM	DO NOT SCALE DRAWING	THIRD ANGLE PROJECTION	PART NO.	N43P-242412	WEIGHT: 71.725
			SCALE: 1:6	SHEET 1 OF 1	

4

3

2

1