

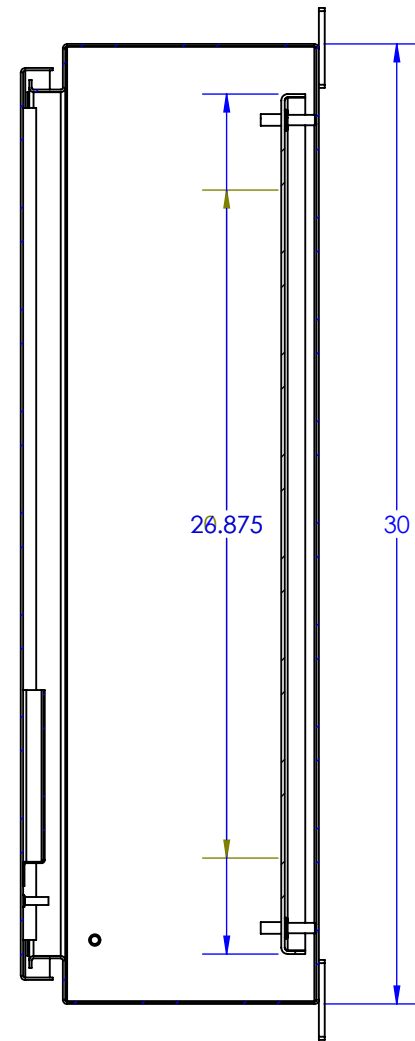
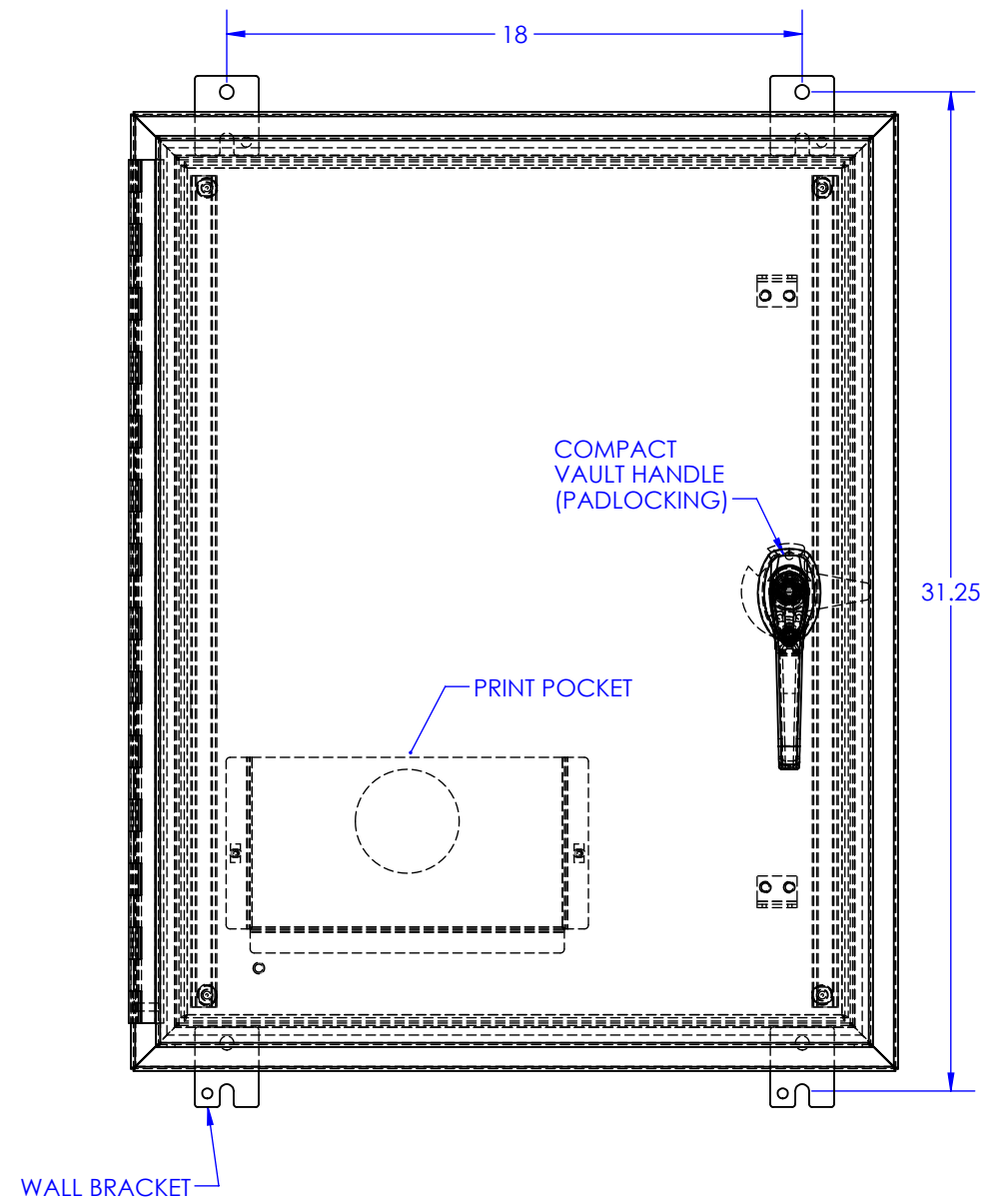
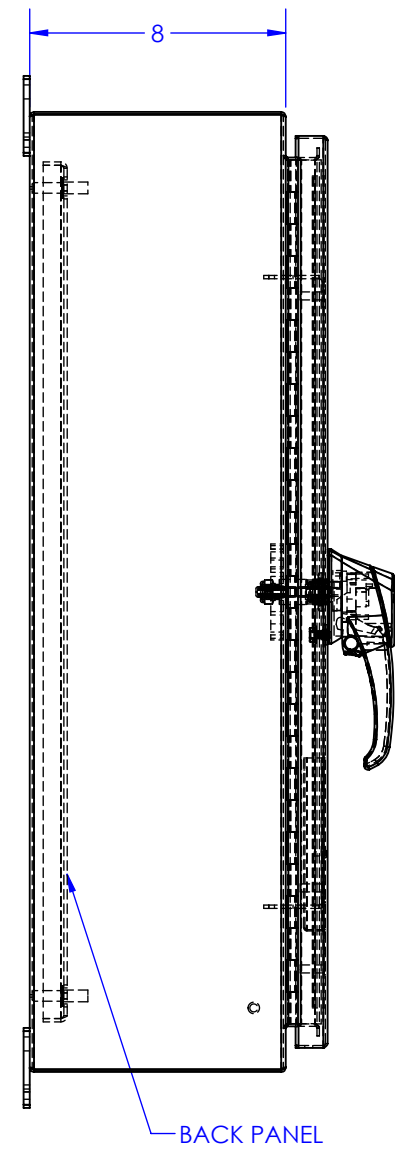
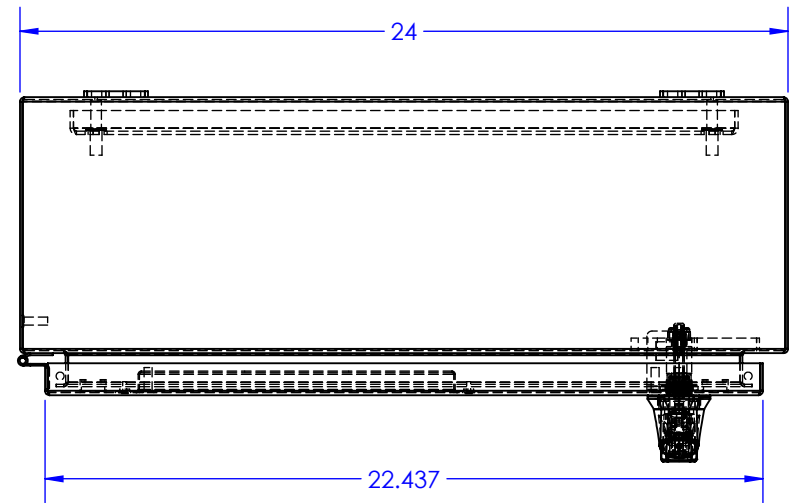
4

3

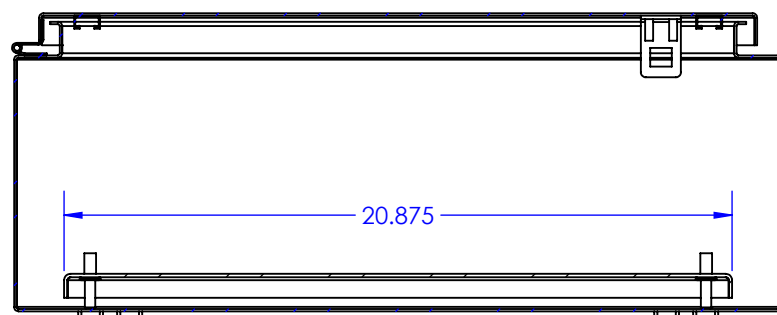
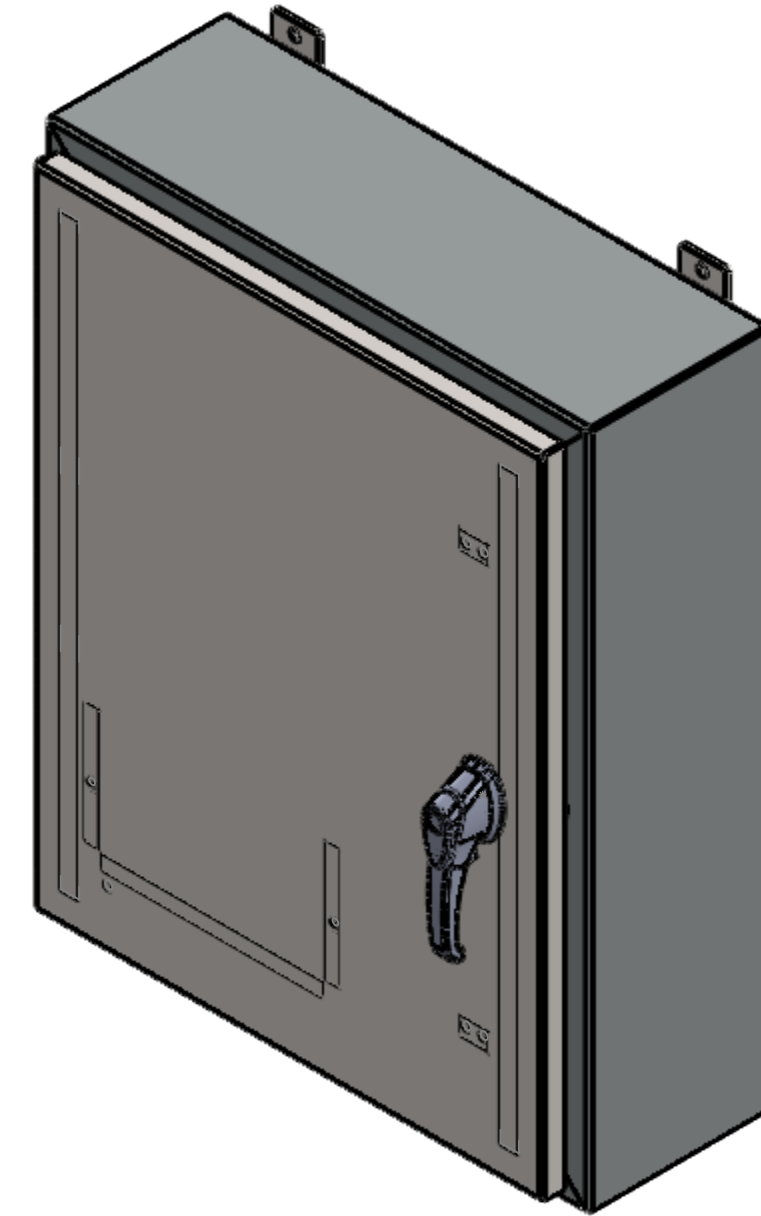
2

1

REVISIONS			
REV.	DESCRIPTION	DATE	APPROVED



SECTION C-C



SECTION D-D

PROPRIETARY AND CONFIDENTIAL THE INFORMATION CONTAINED IN THIS DRAWING IS THE SOLE PROPERTY OF RALSTON METAL PRODUCTS. ANY REPRODUCTION IN PART OR AS A WHOLE WITHOUT THE WRITTEN PERMISSION OF RALSTON METAL PRODUCTS IS PROHIBITED.	NAME	DATE	 55 WATSON ROAD QUELPS, ONTARIO N1L 1E2 PHONE: (519) 836-2969 TOLL FREE: 1-800-265-7611 FAX: (519) 836-9793
	DRAWN BY	DAVE BURNS	
UNLESS OTHERWISE SPECIFIED DIMENSIONS ARE IN INCHES TOLERANCES: FRACTIONAL ± 1/32" ANGULAR MATCH ± 1" ONE PLACE DECIMAL ± 0.1" TWO PLACE DECIMAL ± 0.01" THREE PLACE DECIMAL ± 0.005" MATERIAL:	ISSUED BY	DAVE BURNS	2022-03-07
	JOB ORDER NO:		CUSTOMER DRAWING NO:
SEE BOM	(AUTHORIZED SIGNATURE IN RED) 		SIZE PART NAME: C N43P-302408 REV: -
FINISH: SEE BOM	DO NOT SCALE DRAWING	THIRD ANGLE PROJECTION	PART NO. N43P-302408 WEIGHT: 76.885 SCALE: 1:6 SHEET 1 OF 1

4

3

2

1