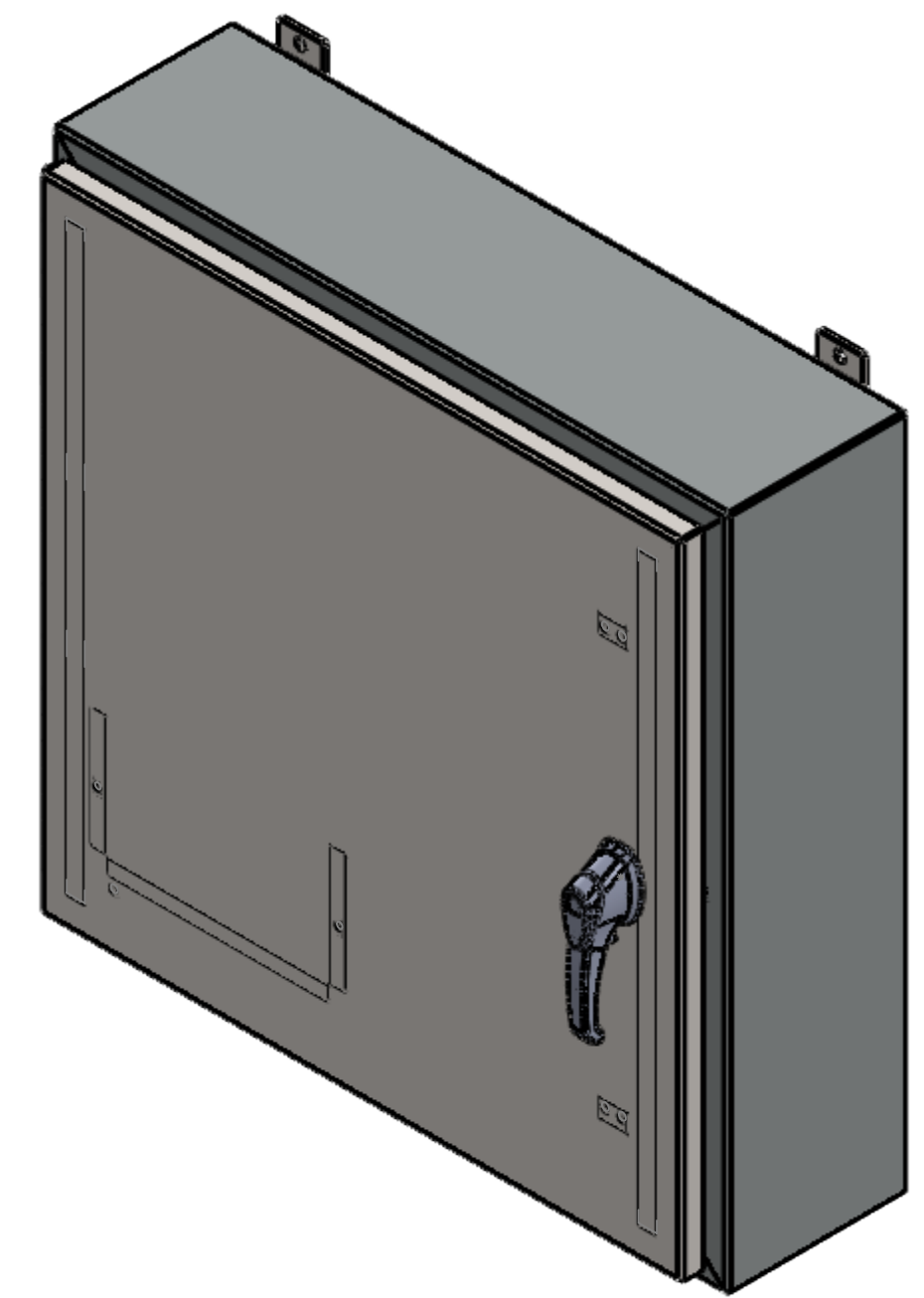
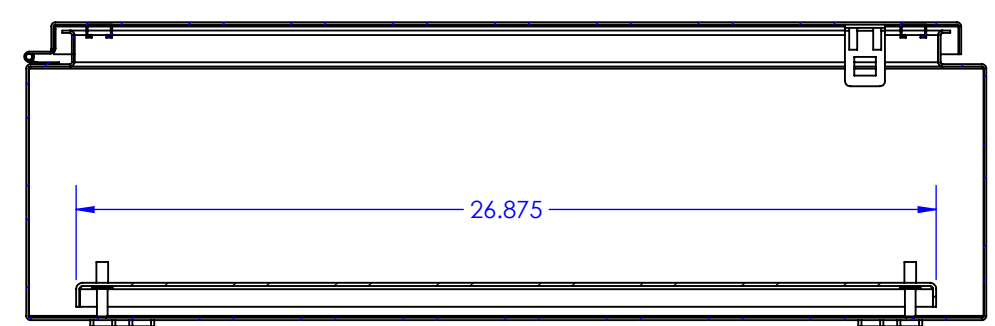
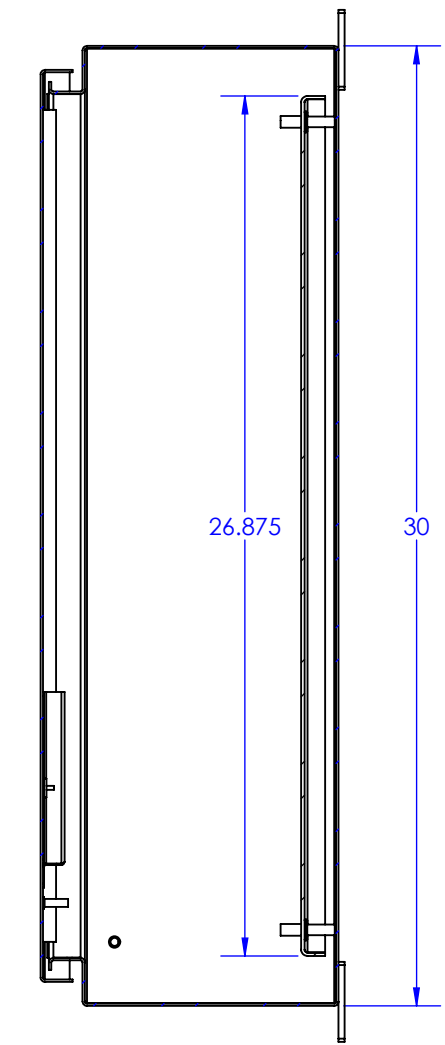
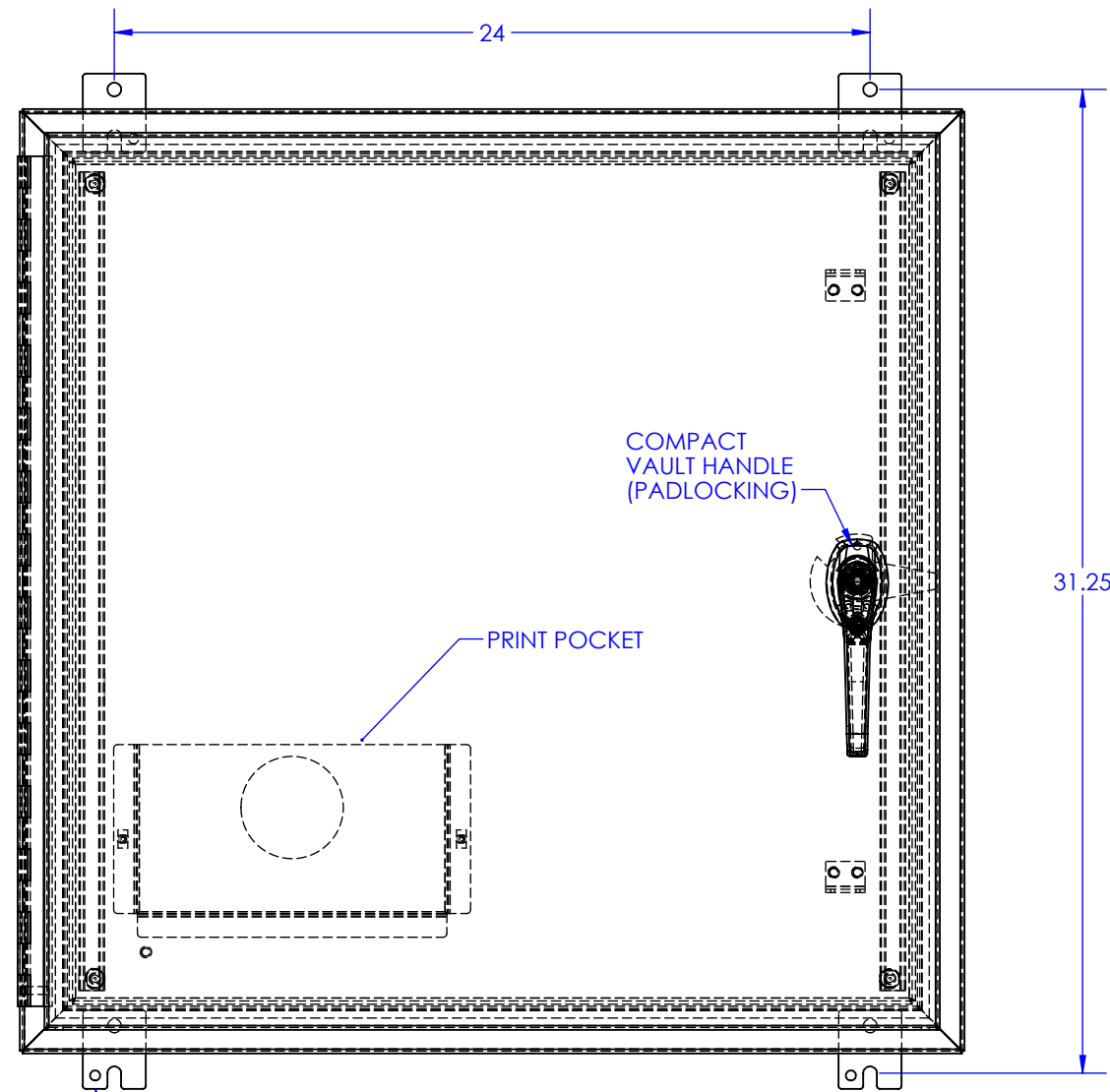
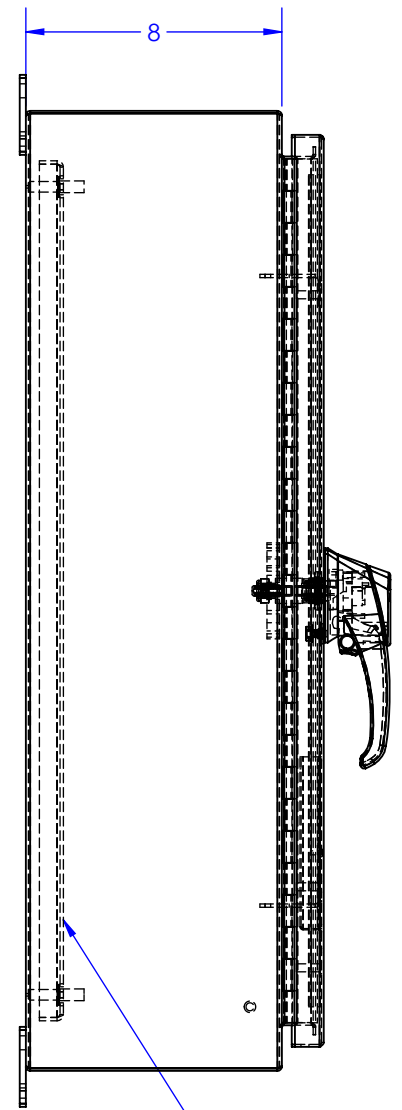
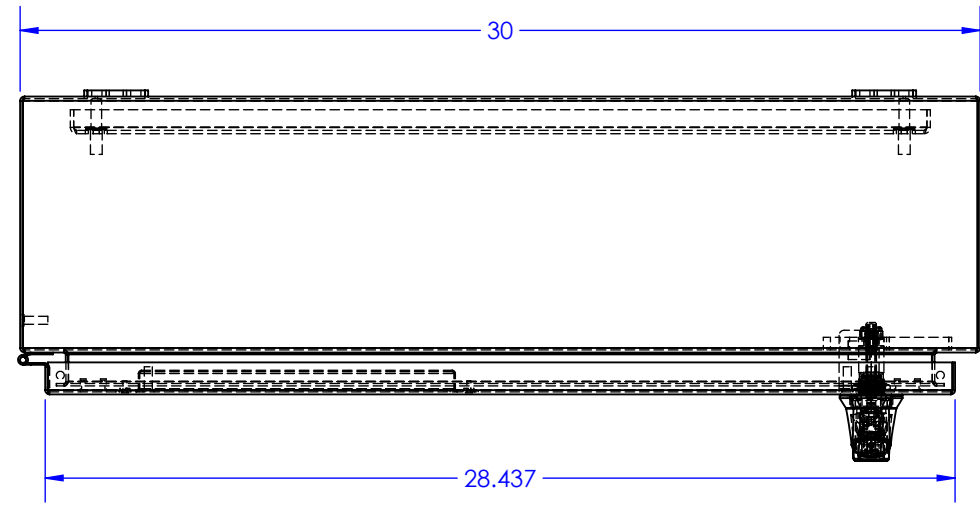


REVISIONS			
REV.	DESCRIPTION	DATE	APPROVED



SECTION C-C

SECTION D-D

PROPRIETARY AND CONFIDENTIAL THE INFORMATION CONTAINED IN THIS DRAWING IS THE SOLE PROPERTY OF RALSTON METAL PRODUCTS. ANY REPRODUCTION IN PART OR AS A WHOLE WITHOUT THE WRITTEN PERMISSION OF RALSTON METAL PRODUCTS IS PROHIBITED.		NAME: DAVE BURNS	DATE: 2022-03-07	<p>50 WATSON ROAD QUELPS, ONTARIO N7L 1E2 PHONE: (519) 836-2969 TOLL FREE: 1-800-265-7611 FAX: (519) 836-9793</p>
<small>TOLERANCES: DIMENSIONS ARE IN INCHES FRACTIONAL ±1/32" ANGULAR MATCH 1" ONE PLACE DECIMAL ±0.1" TWO PLACE DECIMAL ±0.01" THREE PLACE DECIMAL ±0.005"</small>		ISSUED BY: DAVE BURNS	DATE: 2022-03-07	
UNLESS OTHERWISE SPECIFIED		JOB ORDER NO:		CUSTOMER:
SEE BOM		CUSTOMER DRAWING NO:		RALSTON STOCK
FINISH: SEE BOM		THIRD ANGLE PROJECTION		SHOP DRAWING NUMBER:
DO NOT SCALE DRAWING		SCALE: 1:6		SIZE: C
		WEIGHT: 92.156		PART NAME: N43P-303008
		SHEET 1 OF 1		REV: -