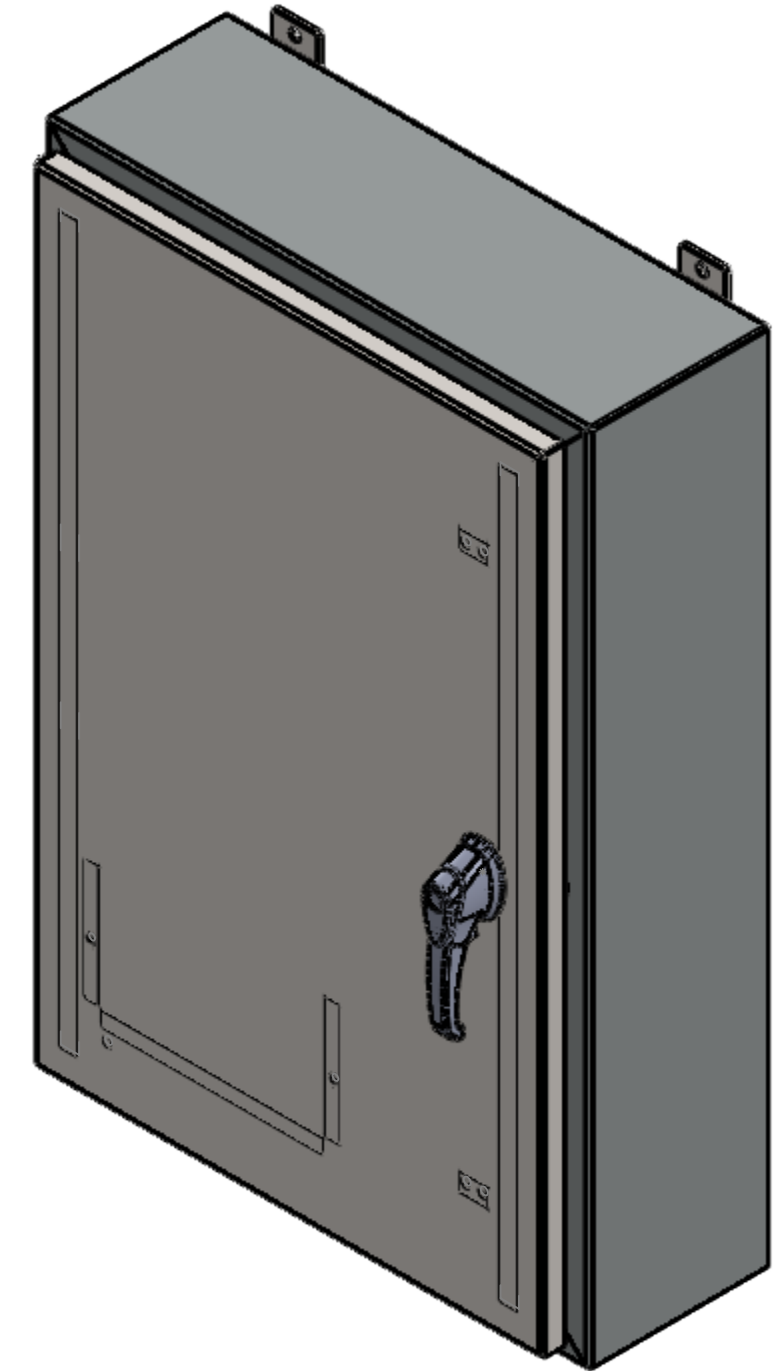
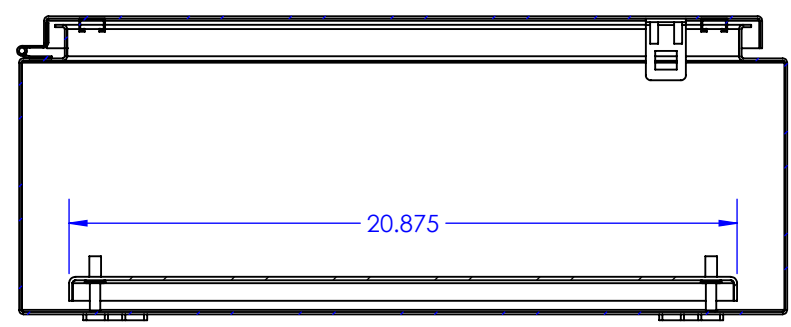
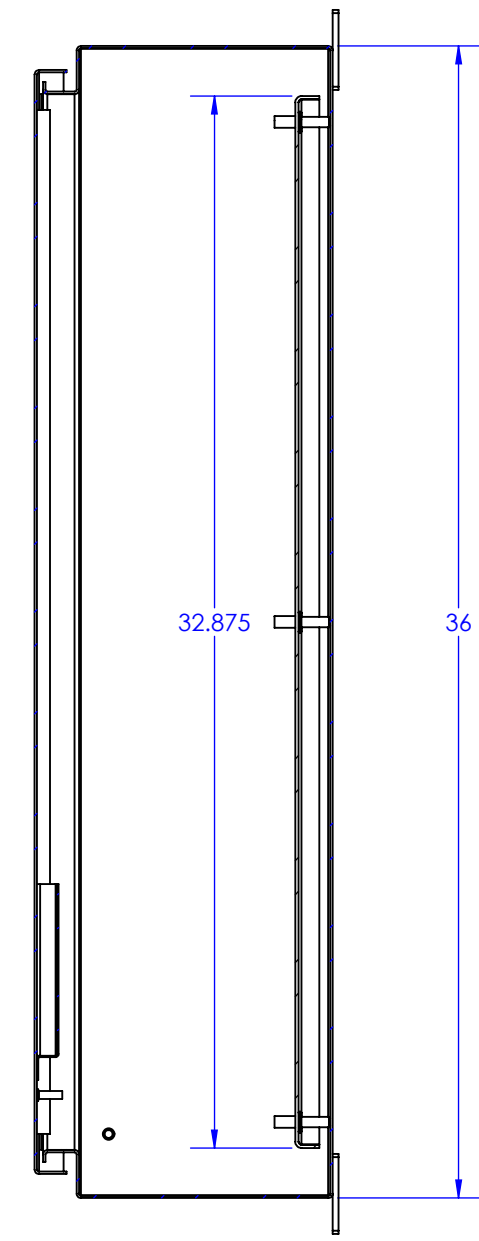
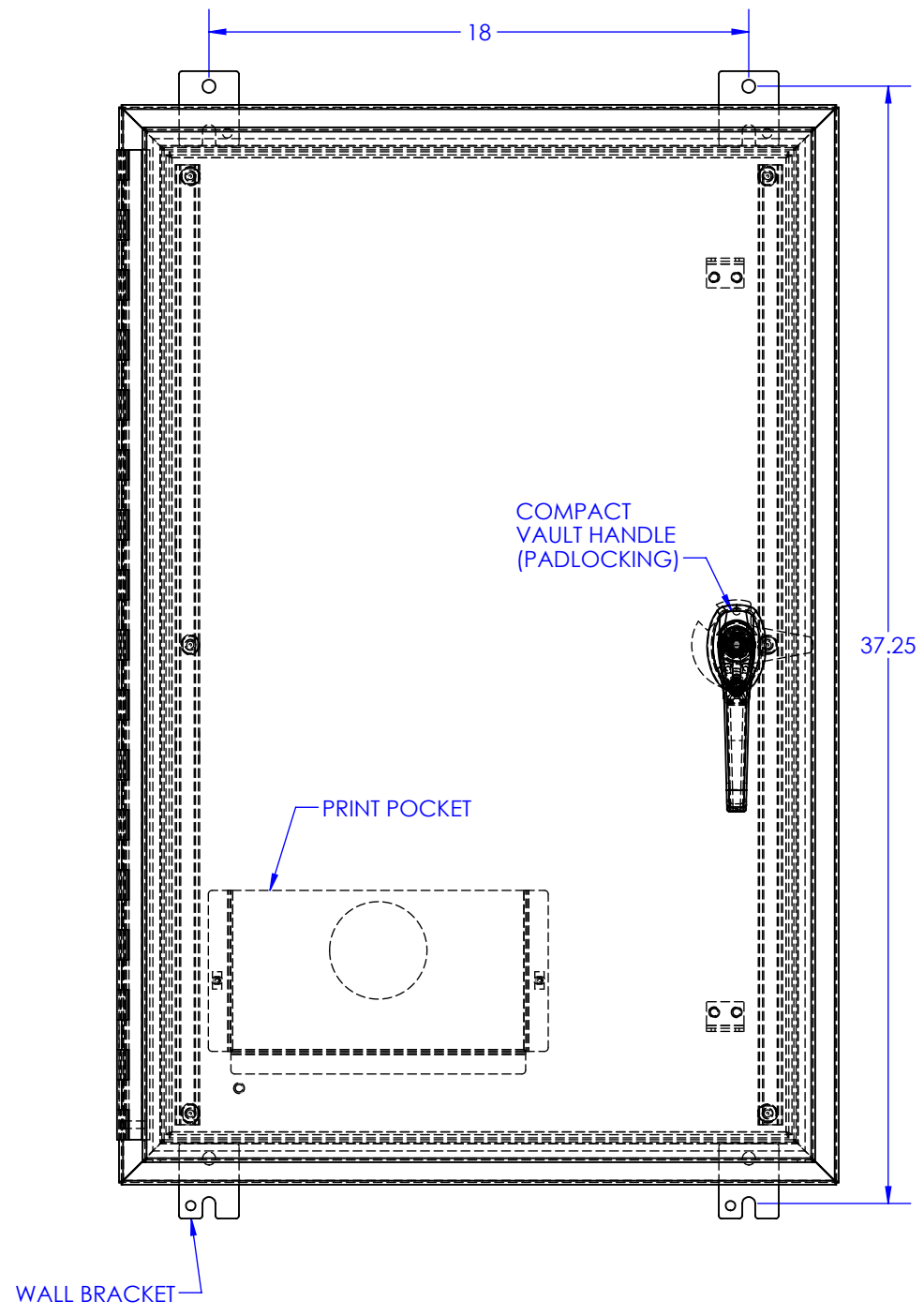
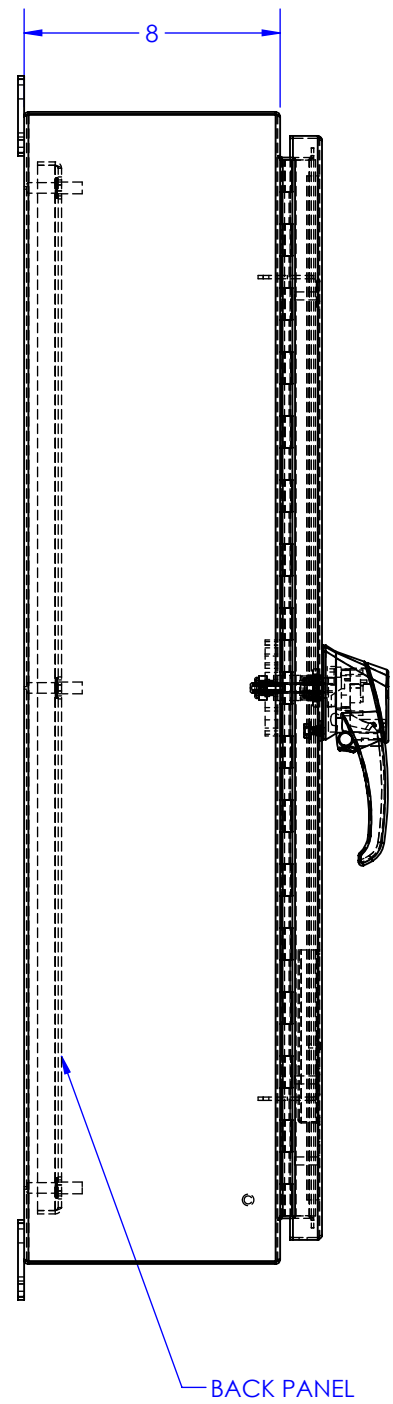
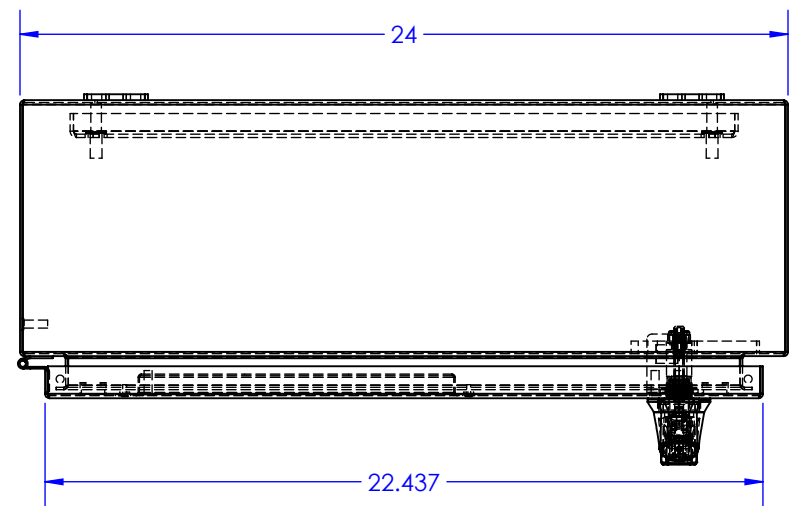


REVISIONS			
REV.	DESCRIPTION	DATE	APPROVED



<b>PROPRIETARY AND CONFIDENTIAL</b> THE INFORMATION CONTAINED IN THIS DRAWING IS THE SOLE PROPERTY OF RALSTON METAL PRODUCTS. ANY REPRODUCTION IN PART OR AS A WHOLE WITHOUT THE WRITTEN PERMISSION OF RALSTON METAL PRODUCTS IS PROHIBITED.		NAME: DAVE BURNS DATE: 2022-03-07	55 WATSON ROAD QUELUP, ONTARIO N7L 1E2 PHONE: (519) 836-2969 TOLL FREE: 1-800-265-7611 FAX: (519) 836-9793
DIMENSIONS ARE IN INCHES TOLERANCES: FRACTIONAL ± 1/32" ANGULAR MATCH 1" ONE PLACE DECIMAL ± 0.1" TWO PLACE DECIMAL ± 0.01" THREE PLACE DECIMAL ± 0.005" MATERIAL:		ISSUED BY: DAVE BURNS JOB ORDER NO:	<b>Ralston</b> Metal Products Limited
UNLESS OTHERWISE SPECIFIED		CUSTOMER DRAWING NO:	CUSTOMER: RALSTON STOCK
SEE BOM	FRISH:	(AUTHORIZED SIGNATURE IN RED)	SHOP DRAWING NUMBER:
SEE BOM	DO NOT SCALE DRAWING	THIRD ANGLE PROJECTION	SIZE: PART NAME: REV. <b>C</b> N43P-362408 -
			PART NO. N43P-362408 SCALE: 1:6 WEIGHT: 76.885 SHEET 1 OF 1