

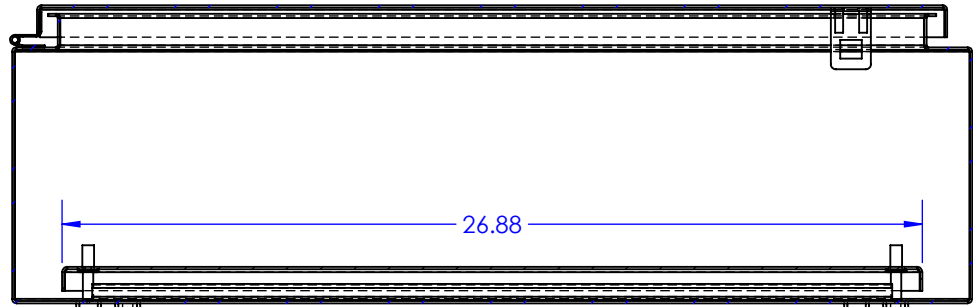
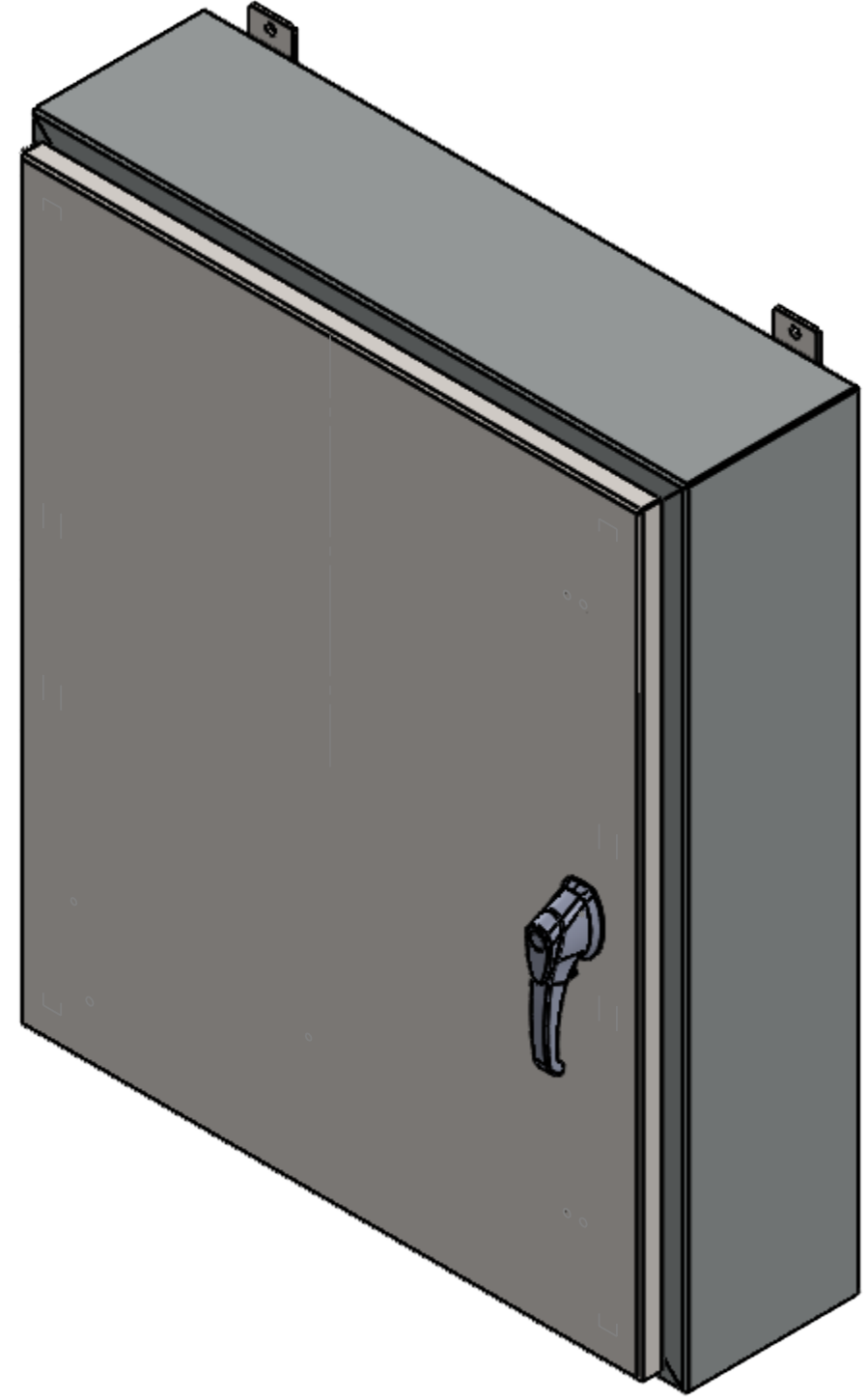
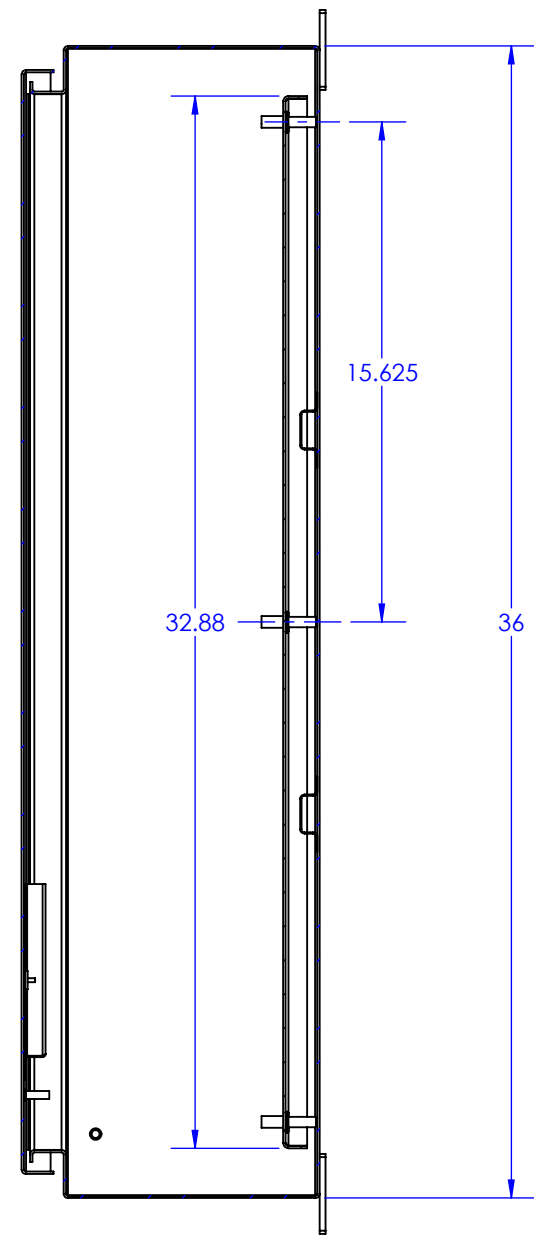
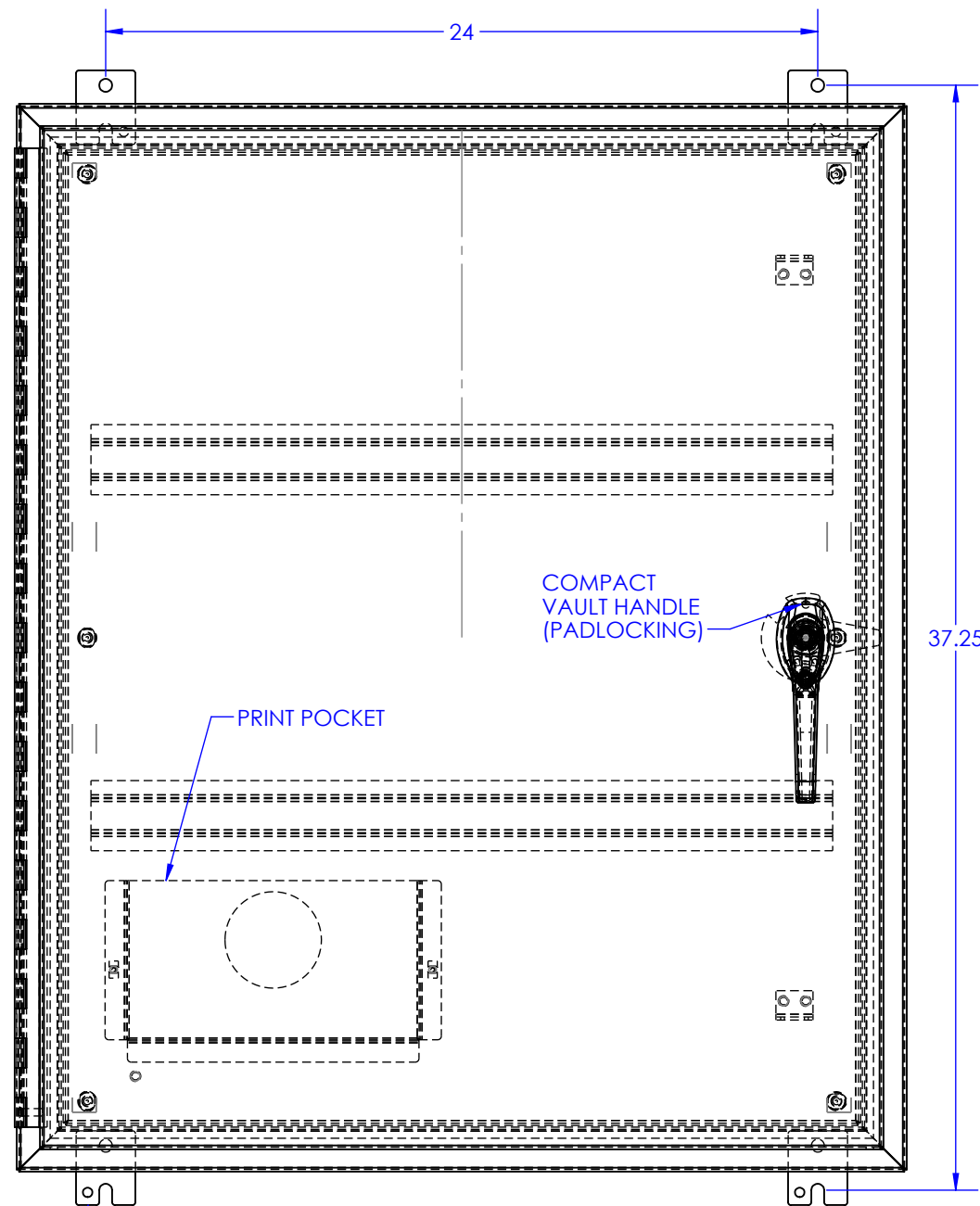
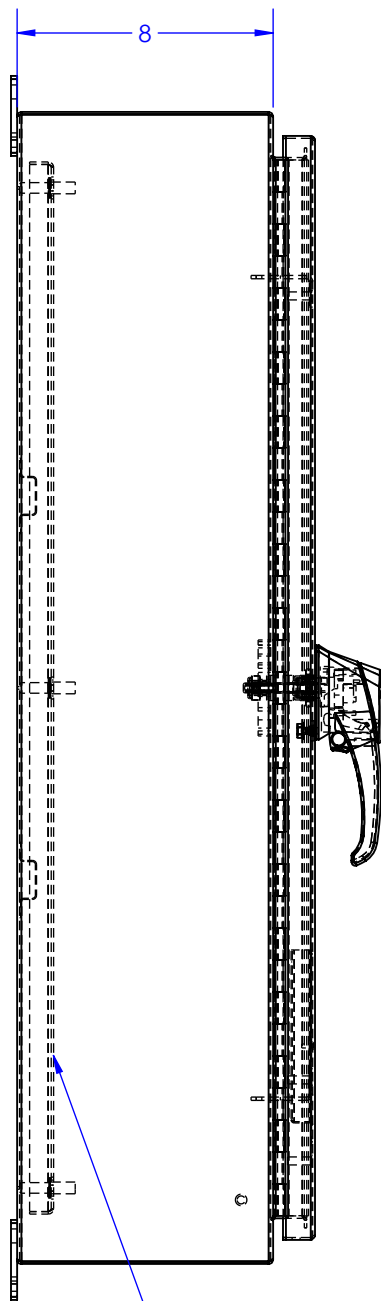
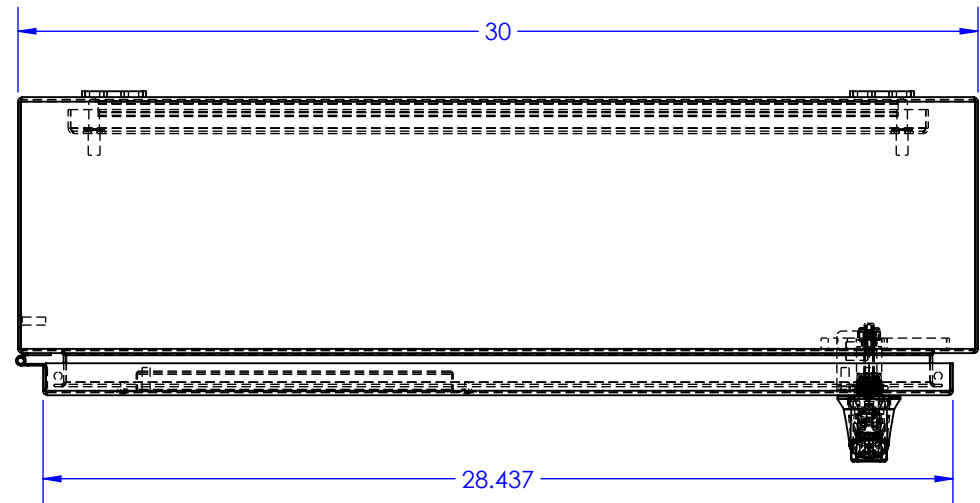
4

3

2

1

REVISIONS			
REV.	DESCRIPTION	DATE	APPROVED



SECTION D-D

SECTION C-C

BACK PANEL

WALL BRACKET

COMPACT VAULT HANDLE (PADLOCKING)

PRINT POCKET

<b>PROPRIETARY AND CONFIDENTIAL</b> THE INFORMATION CONTAINED IN THIS DRAWING IS THE SOLE PROPERTY OF RALSTON METAL PRODUCTS. ANY REPRODUCTION IN PART OR AS A WHOLE WITHOUT THE WRITTEN PERMISSION OF RALSTON METAL PRODUCTS IS PROHIBITED.	NAME	DATE	 <b>Ralston</b> Metal Products Limited <small>50 WATSON ROAD, QUELUP, ONTARIO, N1L 1E2          PHONE: (519) 836-2969          TOLL FREE: 1-800-265-7611          FAX: (519) 836-9793          WWW.RALSTONMETAL.COM</small>	
	DRAWN BY	DHANK DESAI		2022-12-20
	ISSUED BY	JOB ORDER NO:		
	CUSTOMER DRAWING NO:	RALSTON STOCK		
UNLESS OTHERWISE SPECIFIED DIMENSIONS ARE IN INCHES TOLERANCES: FRACTIONAL ± 1/32" ANGULAR MATCH 1" ONE PLACE DECIMAL ± 0.1" TWO PLACE DECIMAL ± 0.01" THREE PLACE DECIMAL ± 0.002" MATERIAL:	(AUTHORIZED SIGNATURE IN RED) 		SIZE PART NAME: REV. <b>C</b> N43P-363008 -	
SEE BOM	THIRD ANGLE PROJECTION		PART NO. N43P-363008 SCALE: 1:6 WEIGHT: 82.820 SHEET 1 OF 1	

4

3

2

1