

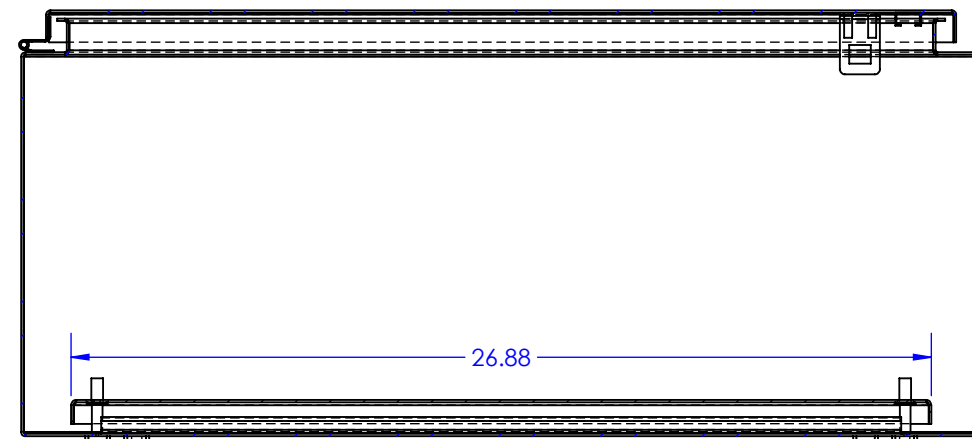
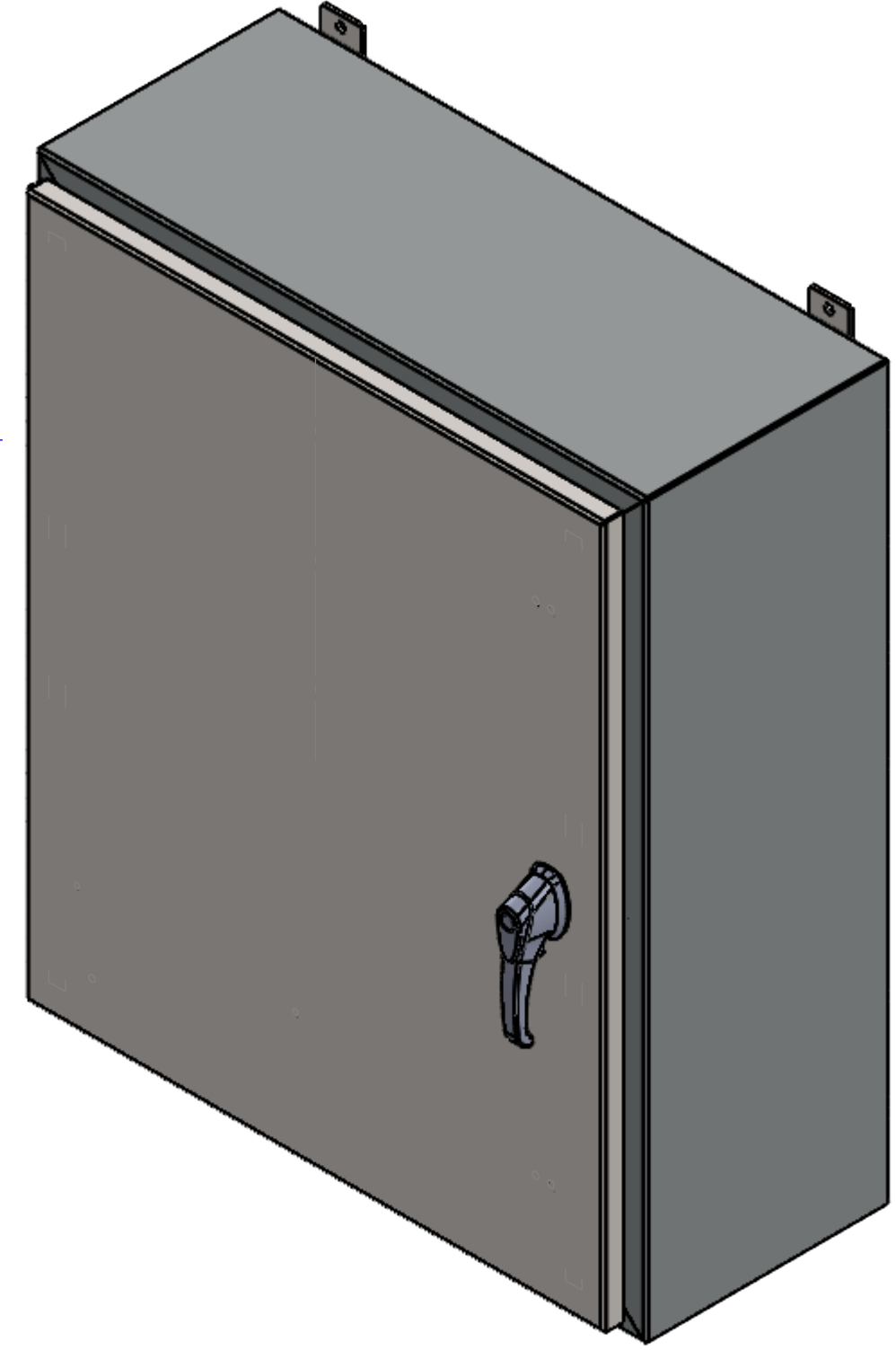
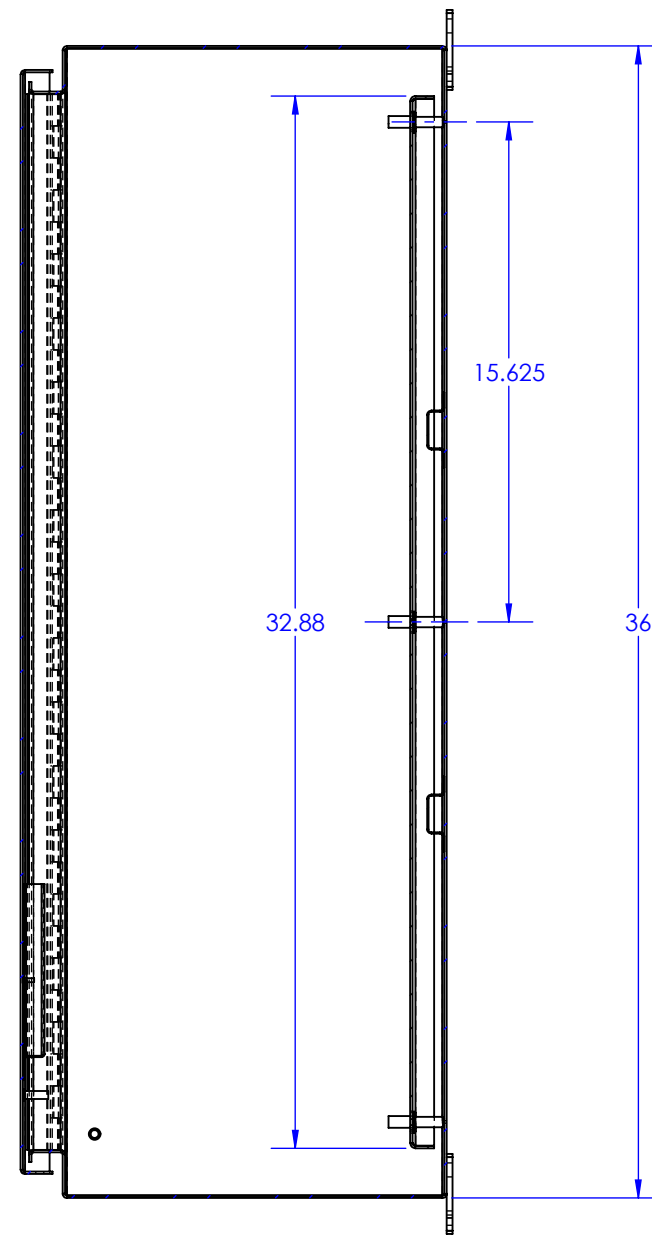
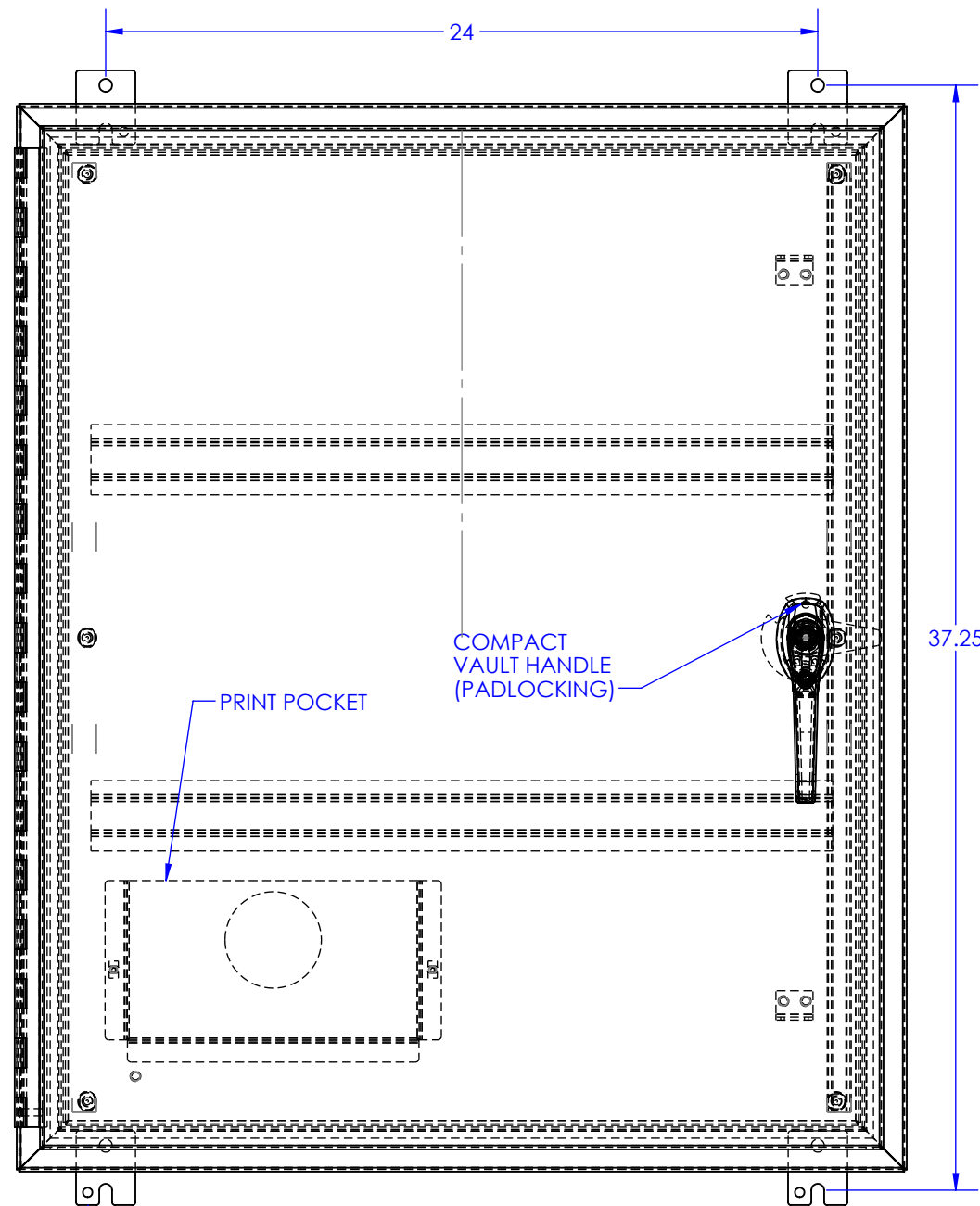
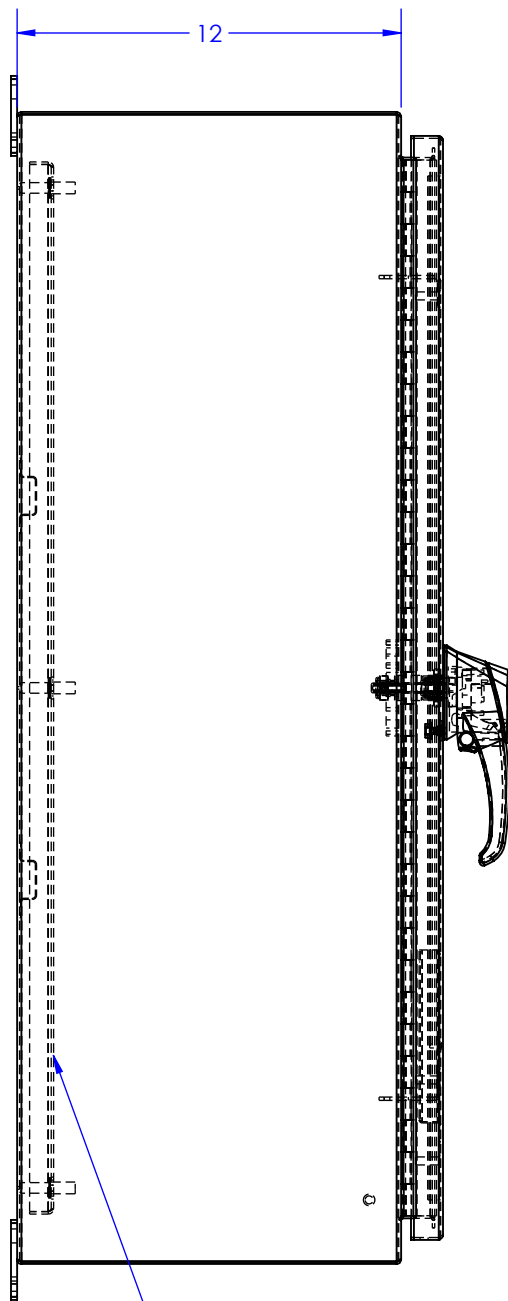
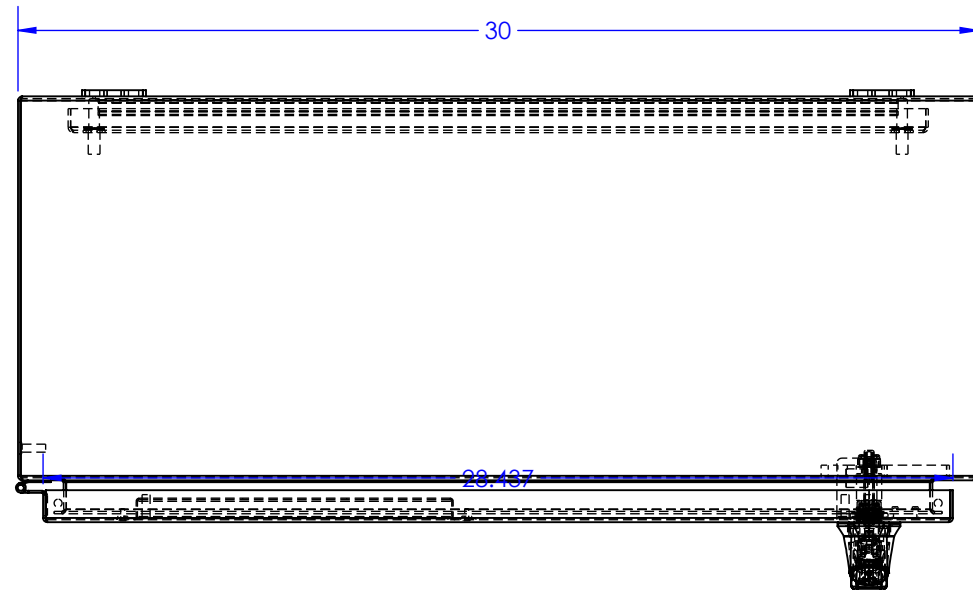
4

3

2

1

REVISIONS			
REV.	DESCRIPTION	DATE	APPROVED



BACK PANEL

WALL BRACKET

COMPACT VAULT HANDLE (PADLOCKING)

PRINT POCKET

SECTION C-C

SECTION D-D

<p>PROPRIETARY AND CONFIDENTIAL</p> <p>THE INFORMATION CONTAINED IN THIS DRAWING IS THE SOLE PROPERTY OF RALSTON METAL PRODUCTS. ANY REPRODUCTION IN PART OR AS A WHOLE WITHOUT THE WRITTEN PERMISSION OF RALSTON METAL PRODUCTS IS PROHIBITED.</p> <p>UNLESS OTHERWISE SPECIFIED</p> <p>DIMENSIONS ARE IN INCHES</p> <p>TOLERANCES:</p> <p>FRACTIONAL ± 1/32"</p> <p>ANGULAR MATCH 1"</p> <p>ONE PLACE DECIMAL ± 0.1"</p> <p>TWO PLACE DECIMAL ± 0.01"</p> <p>THREE PLACE DECIMAL ± 0.005"</p> <p>MATERIAL:</p> <p>SEE BOM</p> <p>FINISH:</p> <p>SEE BOM</p> <p>DO NOT SCALE DRAWING</p>	<p>NAME: DHANIK DESAI</p> <p>DATE: 2022-12-20</p> <p>CUSTOMER DRAWING NO:</p> <p>ISSUED BY:</p> <p>JOB ORDER NO:</p>	<p>80 WATSON ROAD QUELPS, ONTARIO N7L 1E2</p> <p>PHONE: (519) 836-2969 TOLL FREE: 1-800-265-7611 FAX: (519) 836-9793</p> <p>Ralston Metal Products Limited</p> <p>CUSTOMER: RALSTON STOCK</p> <p>SHOP DRAWING NUMBER:</p>	<p>SIZE: C</p> <p>PART NAME: N43P-363012</p> <p>REV: -</p>	
	<p>(AUTHORIZED SIGNATURE IN RED)</p>	<p>PART NO. N43P-363012</p> <p>SCALE: 1:6</p> <p>WEIGHT: 93.924</p> <p>SHEET 1 OF 1</p>	<p>THIRD ANGLE PROJECTION</p>	<p>REV.</p>

4

3

2

1