

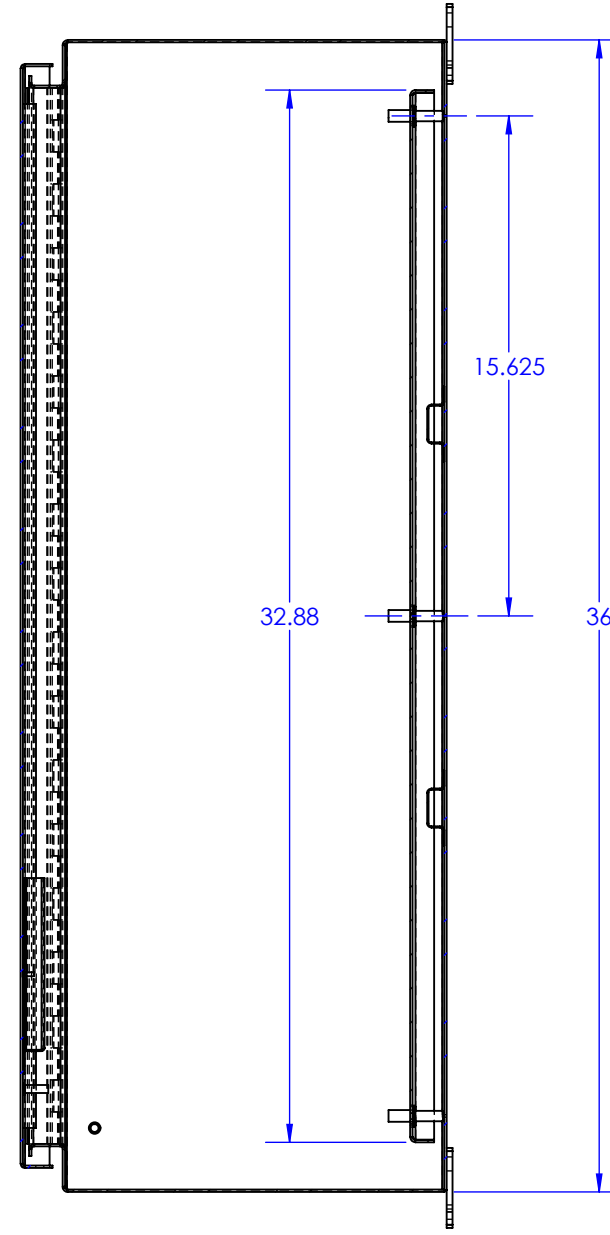
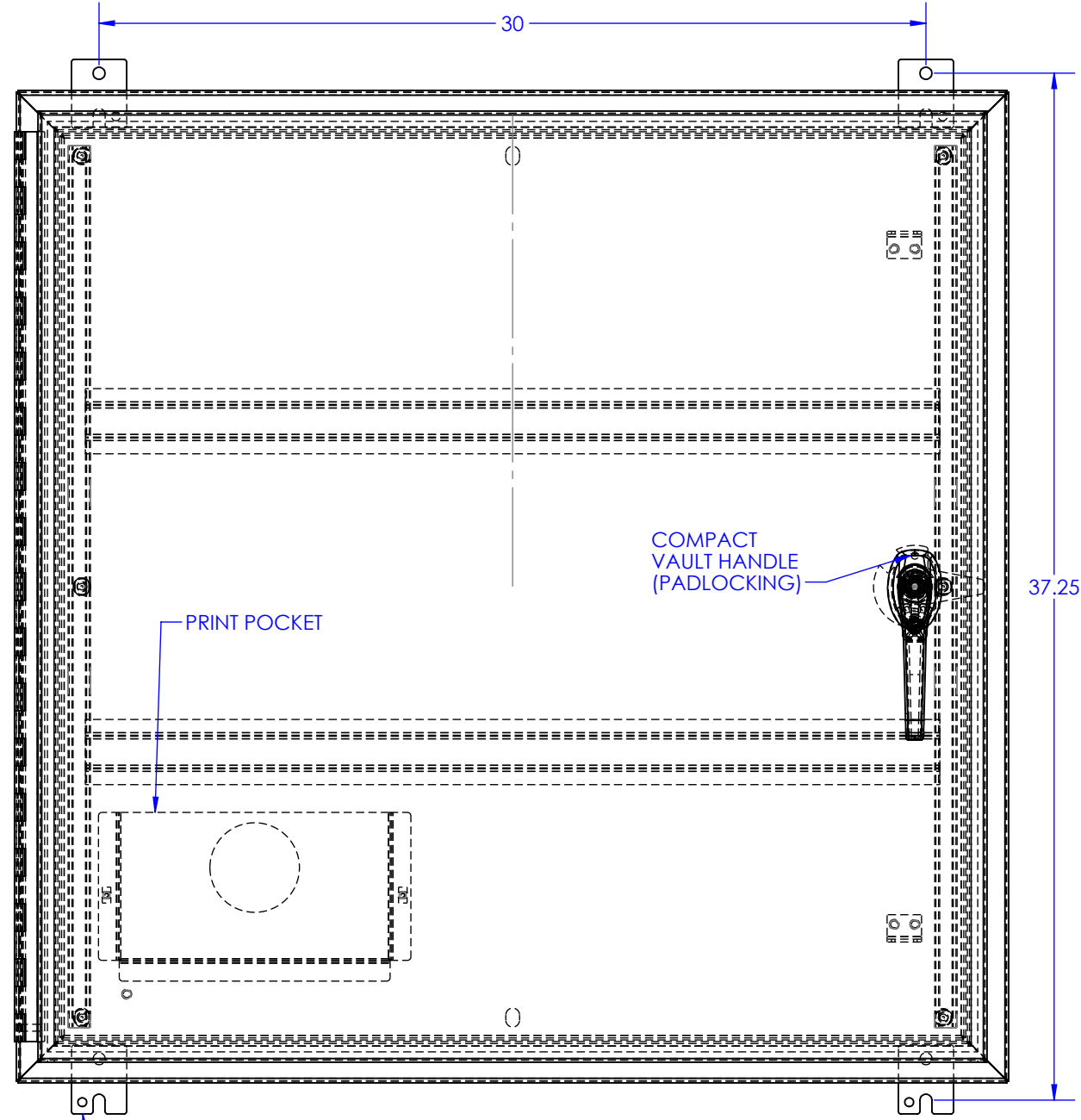
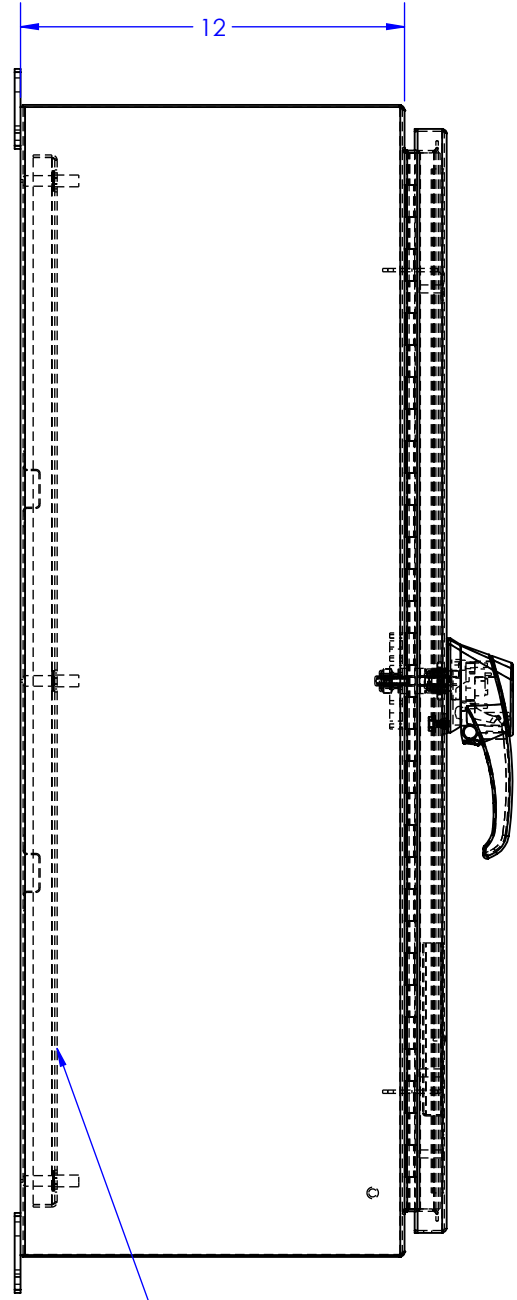
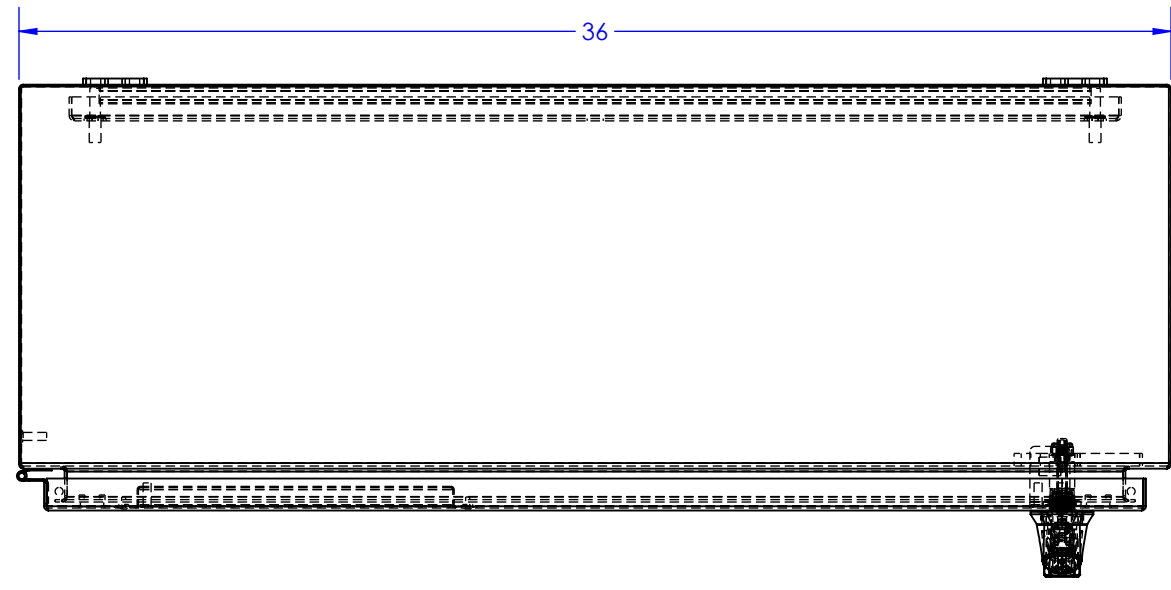
4

3

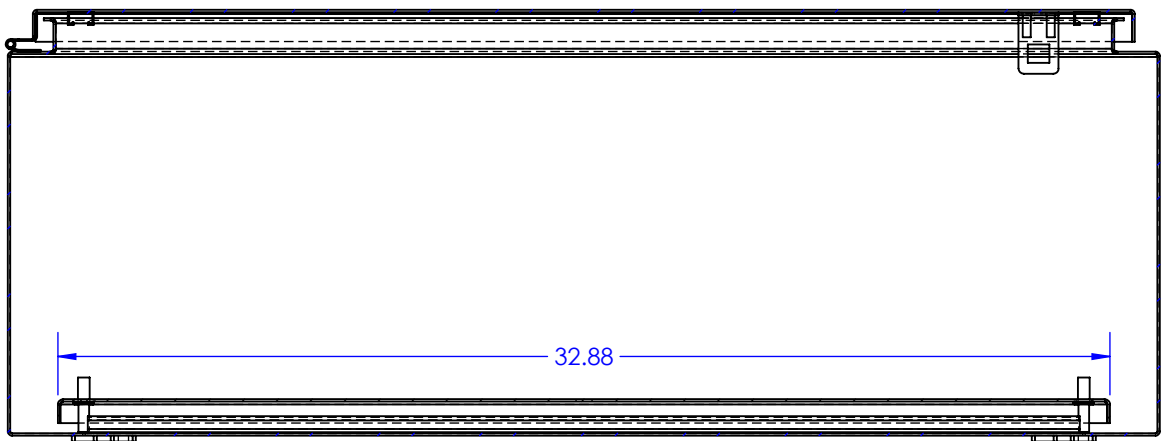
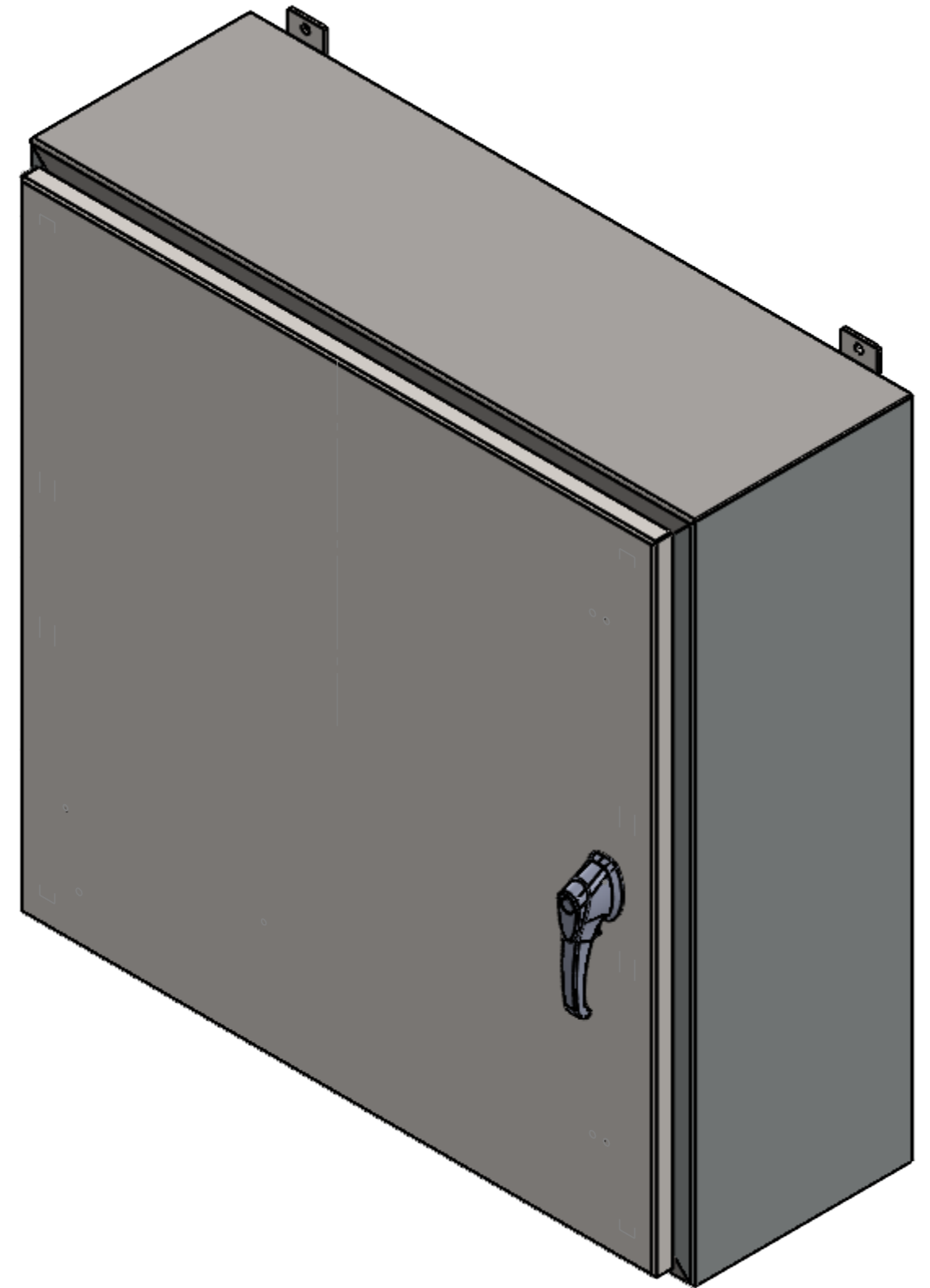
2

1

REVISIONS			
REV.	DESCRIPTION	DATE	APPROVED



SECTION C-C



SECTION D-D

PROPRIETARY AND CONFIDENTIAL
 THE INFORMATION CONTAINED IN THIS DRAWING IS THE SOLE PROPERTY OF RALSTON METAL PRODUCTS. ANY REPRODUCTION IN PART OR AS A WHOLE WITHOUT THE WRITTEN PERMISSION OF RALSTON METAL PRODUCTS IS PROHIBITED.

UNLESS OTHERWISE SPECIFIED
 DIMENSIONS ARE IN INCHES
 TOLERANCES:
 FRACTIONAL ± 1/32"
 ANGULAR MATCH 1"
 ONE PLACE DECIMAL ± 0.1"
 TWO PLACE DECIMAL ± 0.01"
 THREE PLACE DECIMAL ± 0.005"
 MATERIAL:

SEE BOM
 FINISH:
 SEE BOM

DO NOT SCALE DRAWING

THIRD ANGLE PROJECTION

NAME: DHANIK DESAI
 DATE: 2022-12-22
 ISSUED BY:
 JOB ORDER NO:

CUSTOMER DRAWING NO:
 SHOP DRAWING NUMBER:

(AUTHORIZED SIGNATURE IN RED)

SIZE: C
 PART NAME: N43P-363612
 PART NO.: N43P-363612
 WEIGHT: 107.900

REV. -

80 WATSON ROAD
 QUELPS, ONTARIO N7L 1E2
Ralston
 Metal Products Limited
 PHONE: (519) 836-2969
 TOLL FREE: 1-800-265-7611
 FAX: (519) 836-9793
 WWW.RALSTONMETAL.COM

SHEET 1 OF 1

4

3

2

1

D

D

C

C

B

B

A

A