

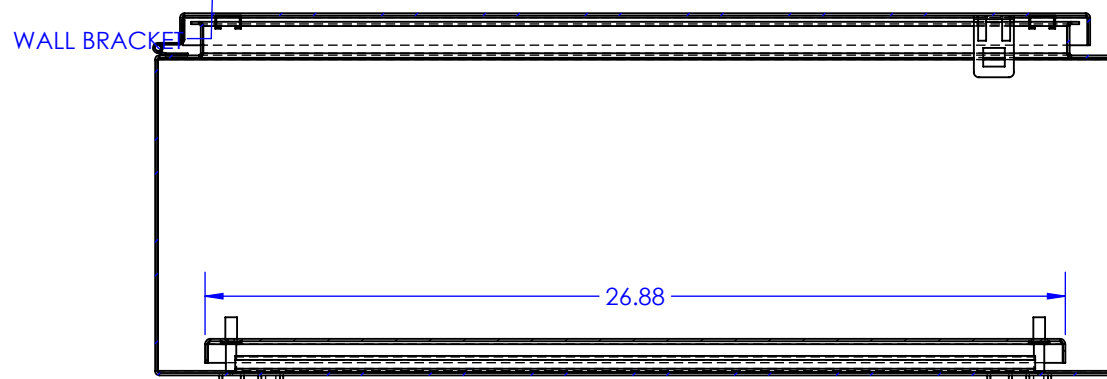
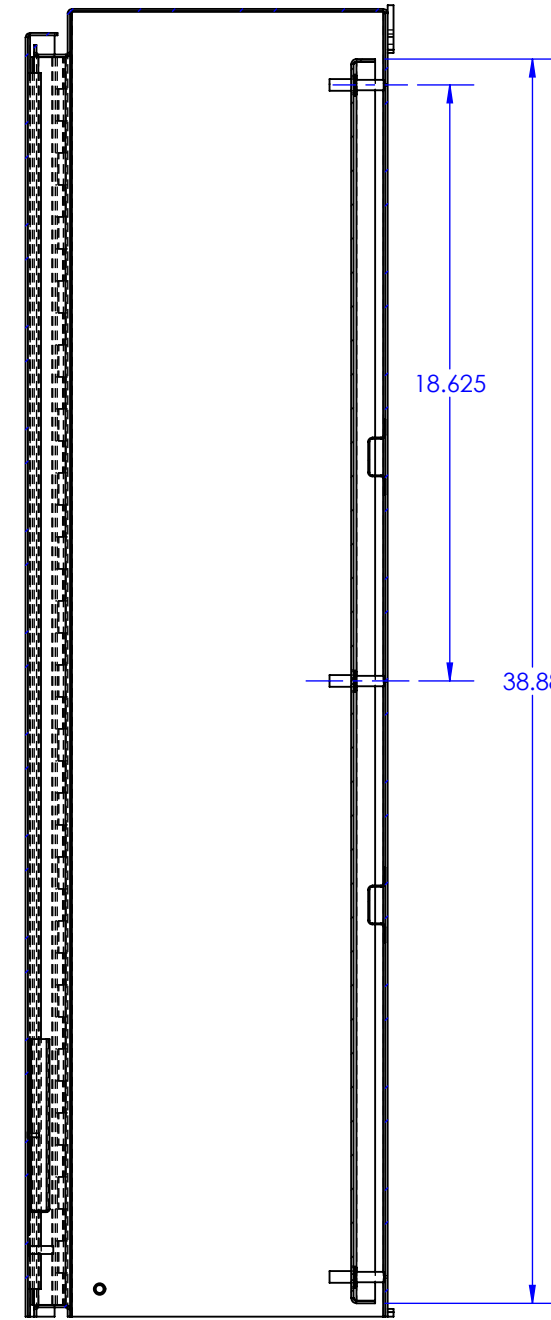
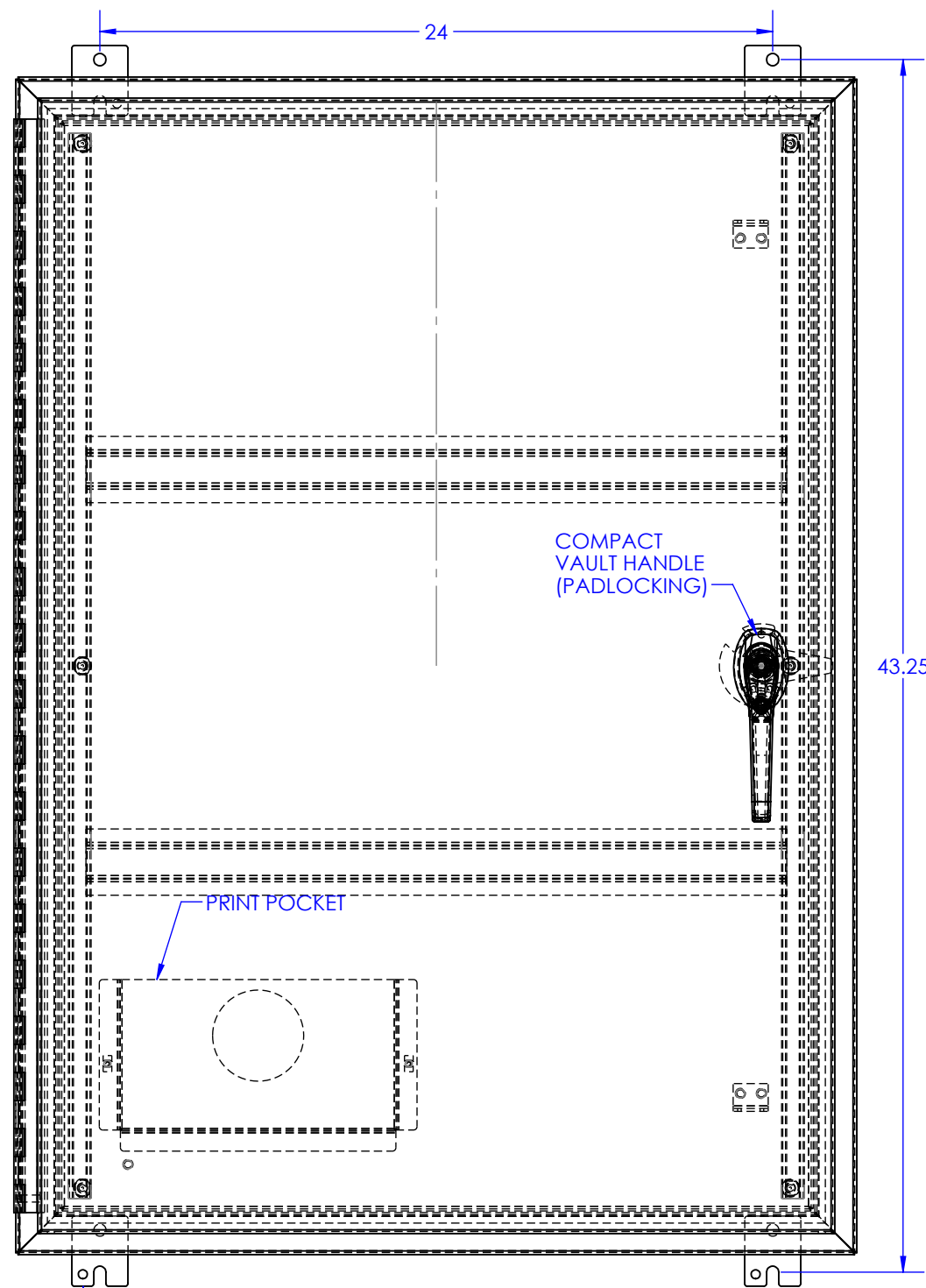
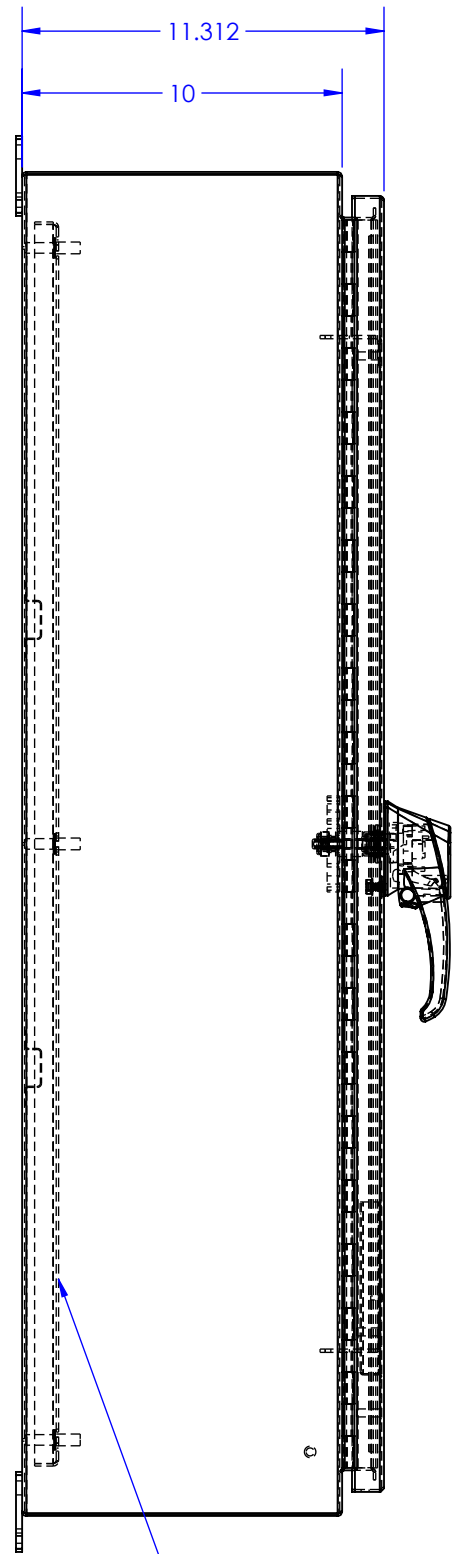
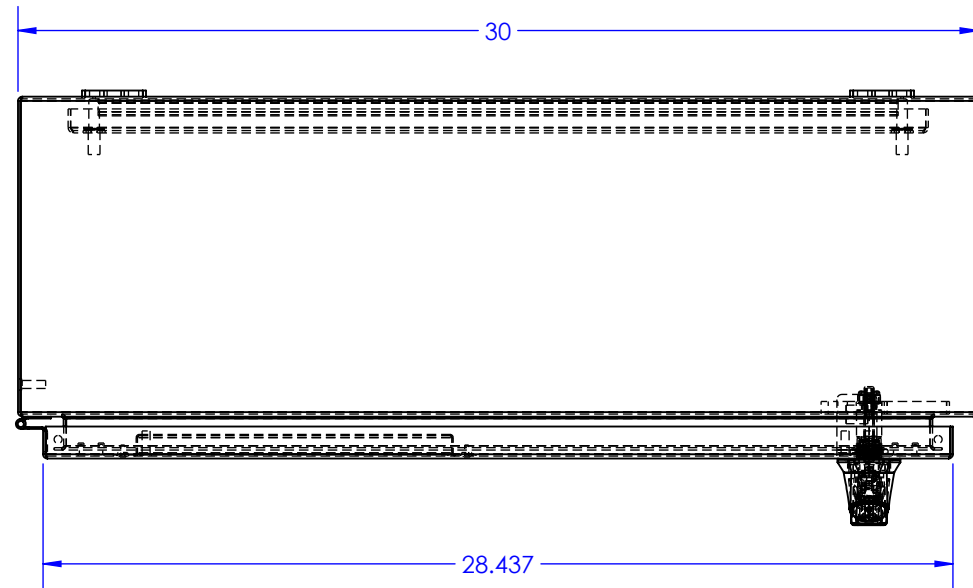
4

3

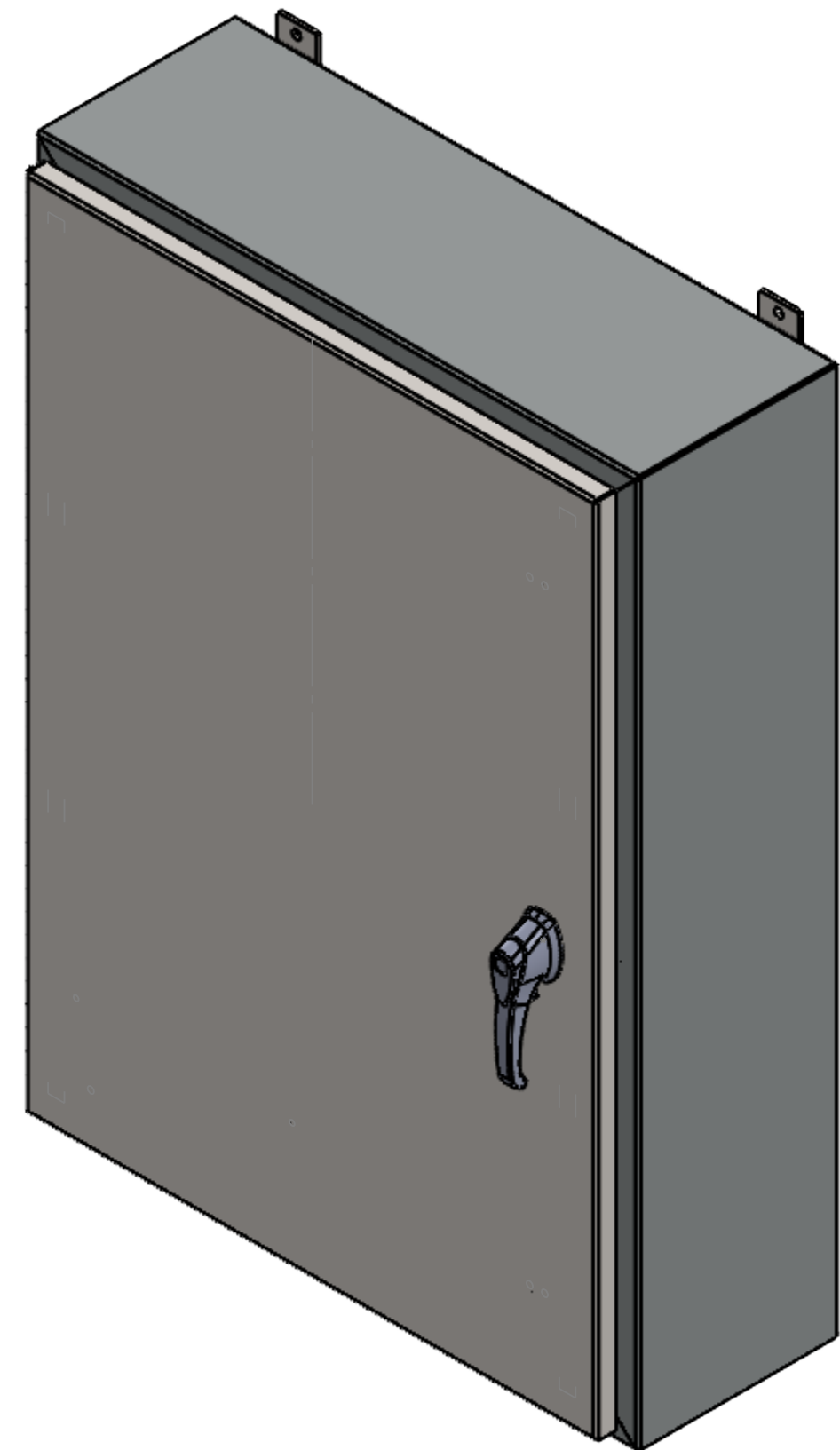
2

1

REVISIONS			
REV.	DESCRIPTION	DATE	APPROVED



SECTION D-D



SECTION C-C

PROPRIETARY AND CONFIDENTIAL THE INFORMATION CONTAINED IN THIS DRAWING IS THE SOLE PROPERTY OF RALSTON METAL PRODUCTS. ANY REPRODUCTION IN PART OR AS A WHOLE WITHOUT THE WRITTEN PERMISSION OF RALSTON METAL PRODUCTS IS PROHIBITED.	NAME	DATE	 Ralston Metal Products Limited <small>50 WATSON ROAD, QUELPS, ONTARIO N7L 1E2 PHONE: (519) 836-2969 TOLL FREE: 1-800-265-7611 FAX: (519) 836-9793</small>
	DRAWN BY: DHANIK DESAI	2022-03-07	
UNLESS OTHERWISE SPECIFIED DIMENSIONS ARE IN INCHES TOLERANCES: FRACTIONAL ± 1/32" ANGULAR MATCH 1" ONE PLACE DECIMAL ± 0.1" TWO PLACE DECIMAL ± 0.01" THREE PLACE DECIMAL ± 0.002" MATERIAL:	CUSTOMER DRAWING NO: RALSTON STOCK		SHOP DRAWING NUMBER:
	SEE BOM FINISH: SEE BOM	(AUTHORIZED SIGNATURE IN RED) 	SIZE: C PART NAME: N43P-423010 PART NO.: N43P-423010 SCALE: 1:6 WEIGHT: 100.179
DO NOT SCALE DRAWING	THIRD ANGLE PROJECTION		

4

3

2

1