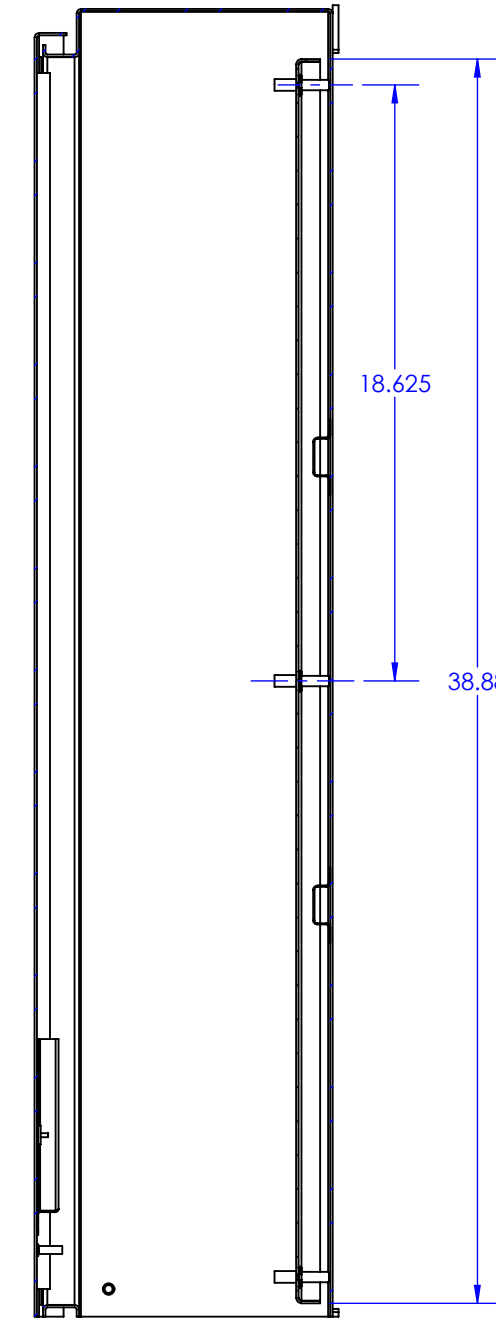
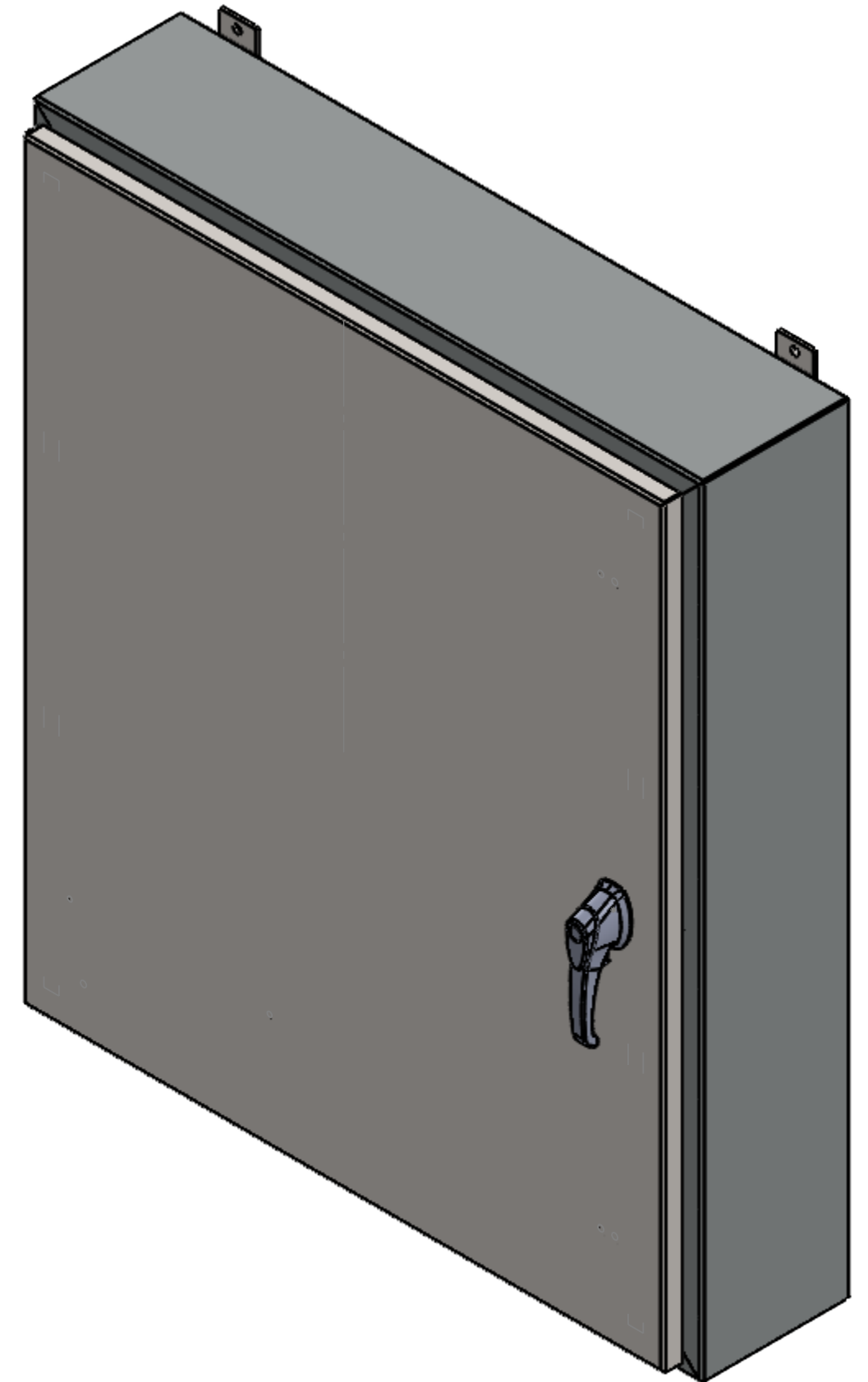
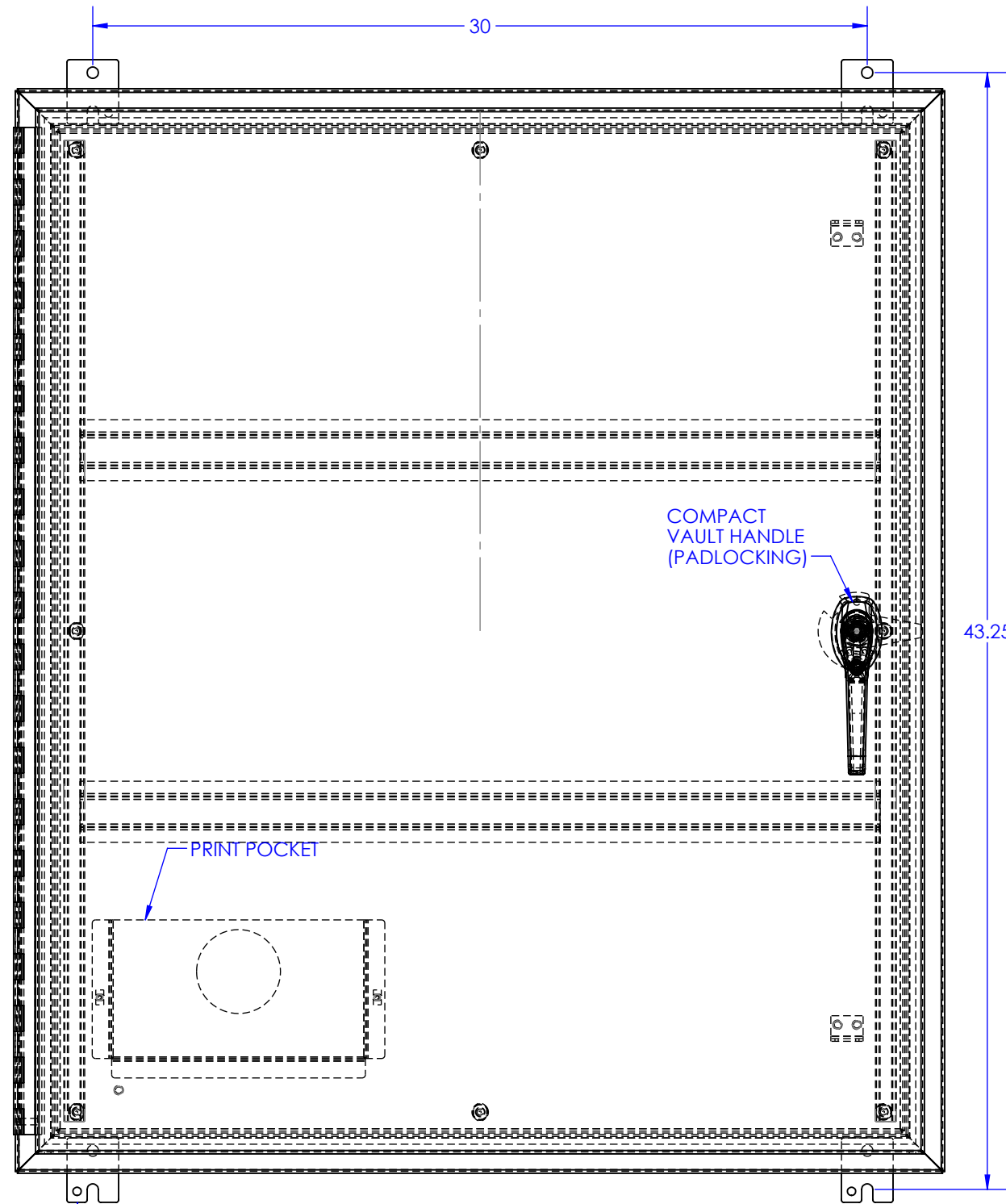
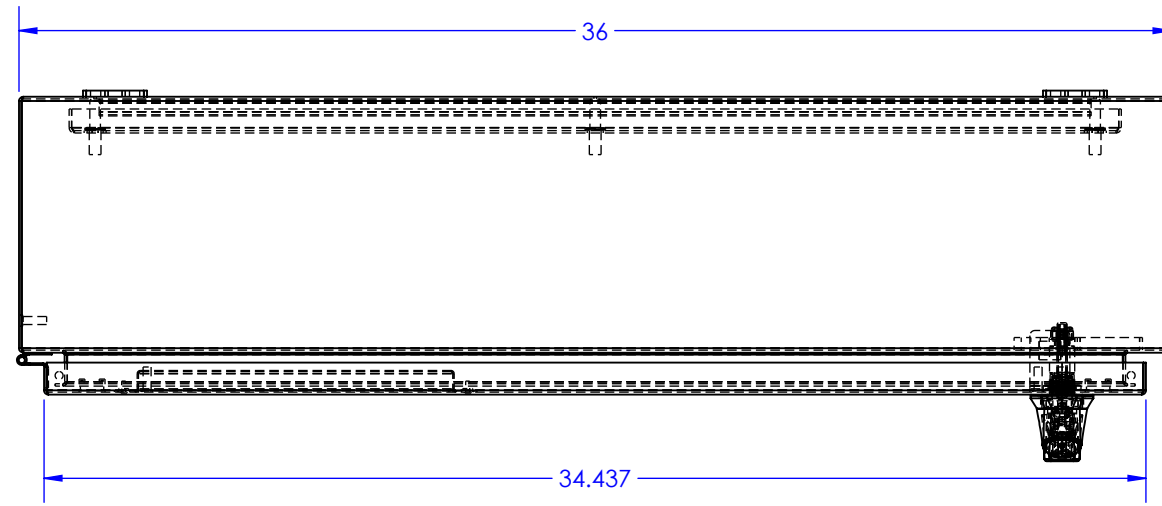


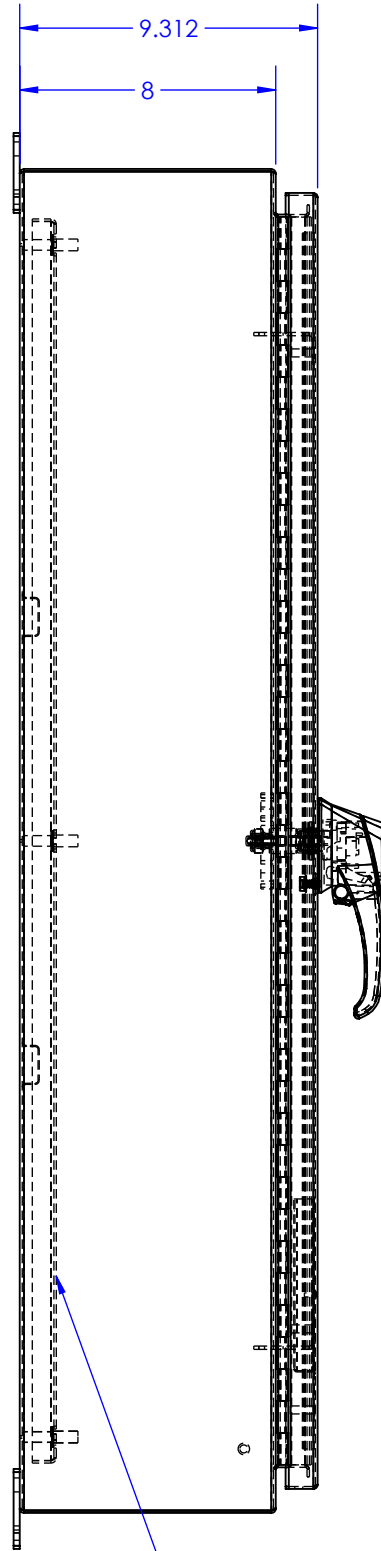
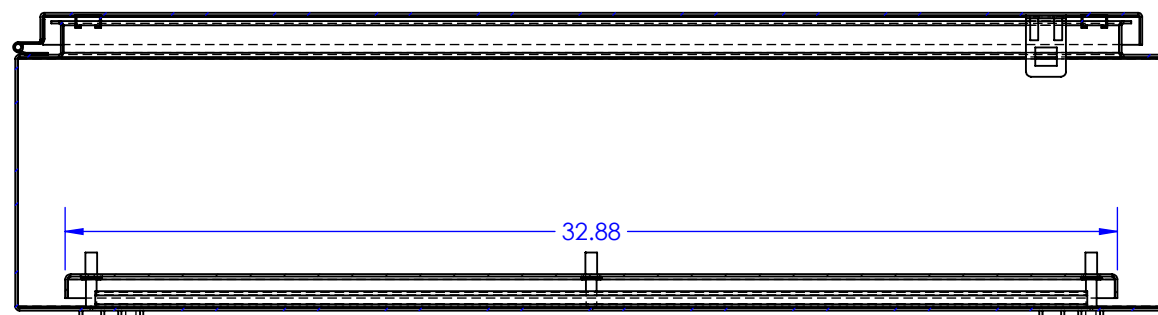
REVISIONS			
REV.	DESCRIPTION	DATE	APPROVED



SECTION C-C



SECTION D-D



BACK PANEL

WALL BRACKET

COMPACT VAULT HANDLE (PADLOCKING)

PRINT POCKET

PROPRIETARY AND CONFIDENTIAL		NAME	DATE
THE INFORMATION CONTAINED IN THIS DRAWING IS THE SOLE PROPERTY OF RALSTON METAL PRODUCTS. ANY REPRODUCTION IN PART OR AS A WHOLE WITHOUT THE WRITTEN PERMISSION OF RALSTON METAL PRODUCTS IS PROHIBITED.		DRAWN BY: DHANIK DESAI	2022-03-07
UNLESS OTHERWISE SPECIFIED		JOB ORDER NO:	
DIMENSIONS ARE IN INCHES		CUSTOMER DRAWING NO:	
TOLERANCES:		RALSTON STOCK	
FRACTIONAL ± 1/32"		SHOP DRAWING NUMBER:	
ANGULAR: MACH ± 1°		SIZE: PART NAME: REV.	
ONE PLACE DECIMAL ± 0.1"		C N43P-423608 -	
TWO PLACE DECIMAL ± 0.01"		PART NO. N43P-423608	
THREE PLACE DECIMAL ± 0.005"		SCALE: 1:6 WEIGHT: 108.294 SHEET 1 OF 1	
MATERIAL:		THIRD ANGLE PROJECTION	
SEE BOM		(AUTHORIZED SIGNATURE IN RED)	
FINISH:		SEE BOM	
DO NOT SCALE DRAWING			



50 WATSON ROAD
QUELUP, ONTARIO N7L 1E2
PHONE: (519) 836-2969
TOLL FREE: 1-800-265-7611
FAX: (519) 836-9793

