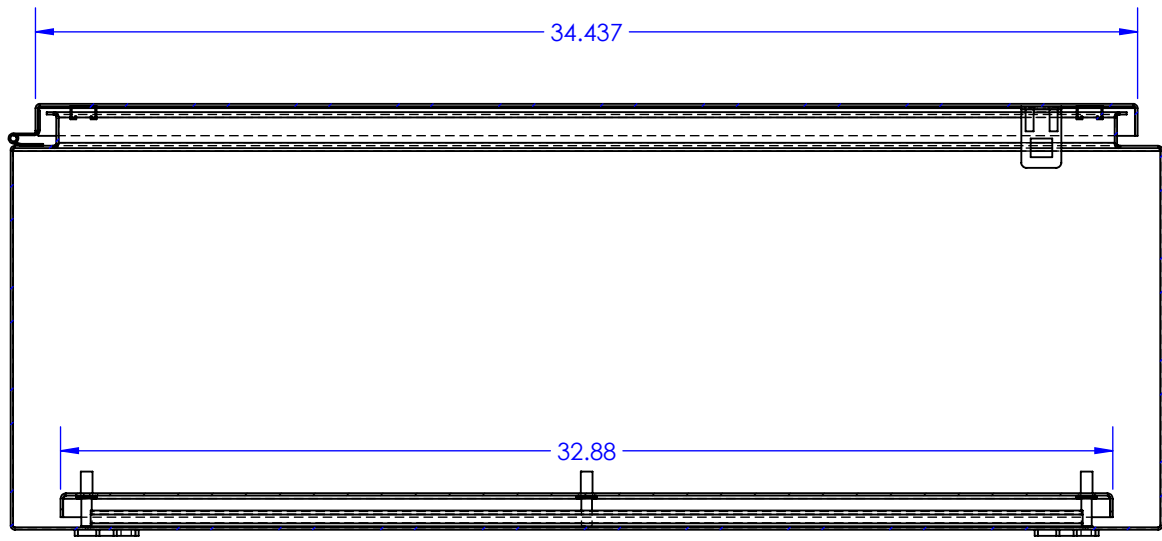
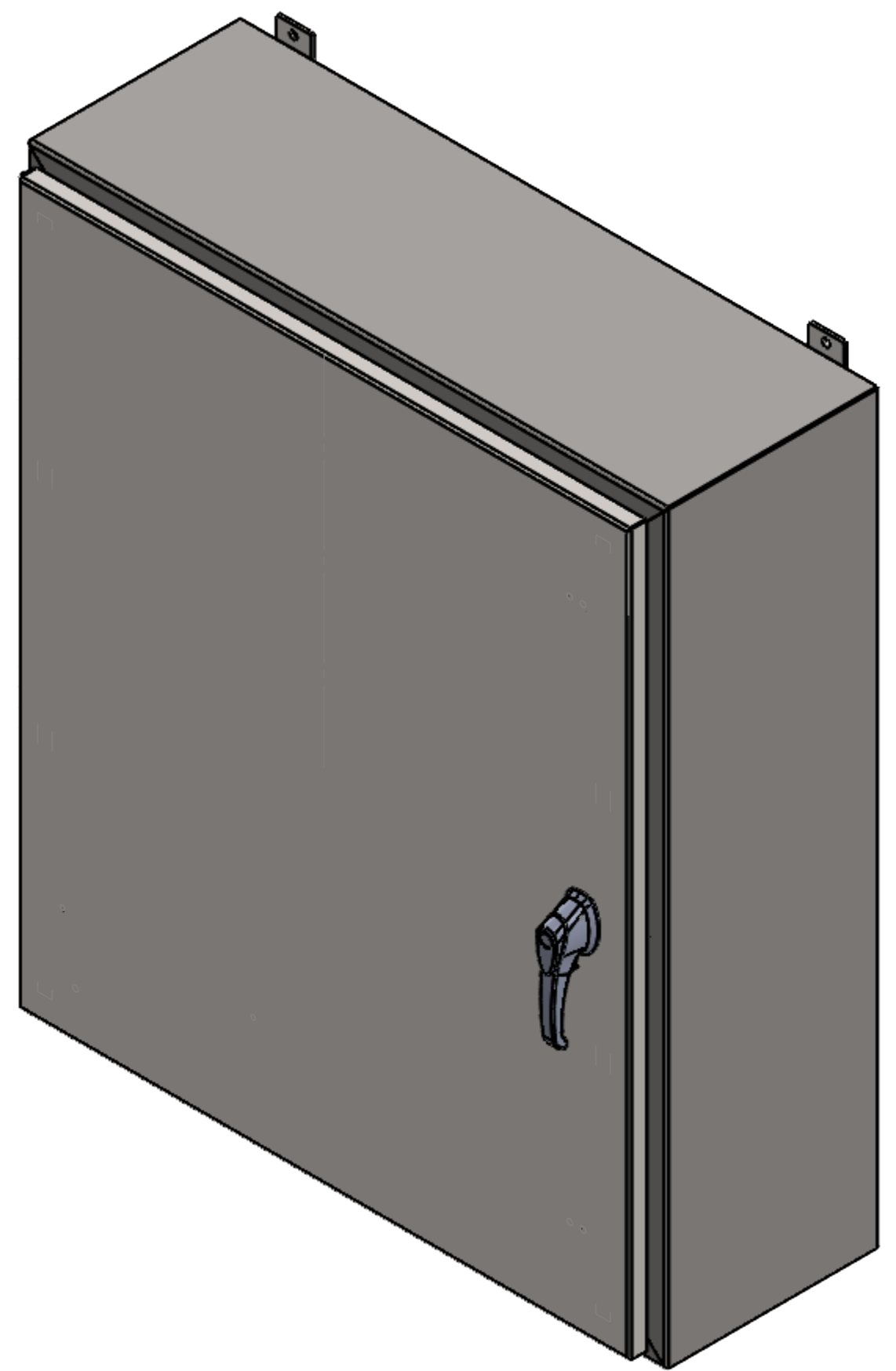
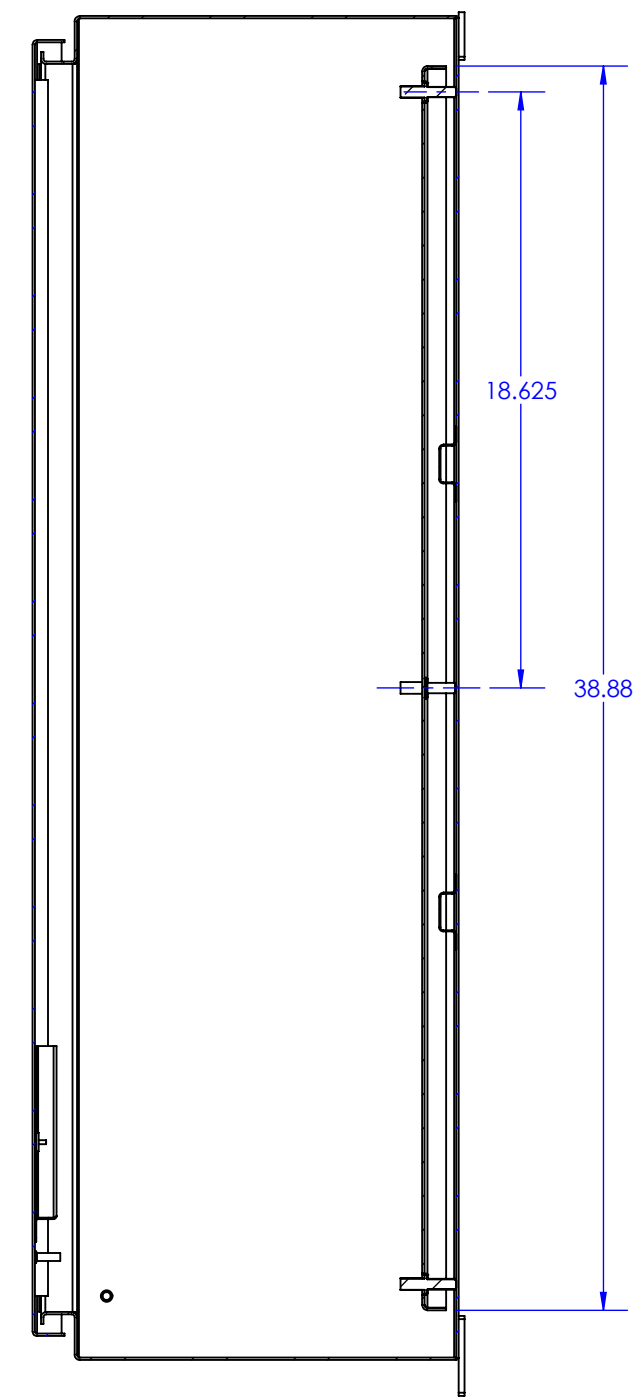
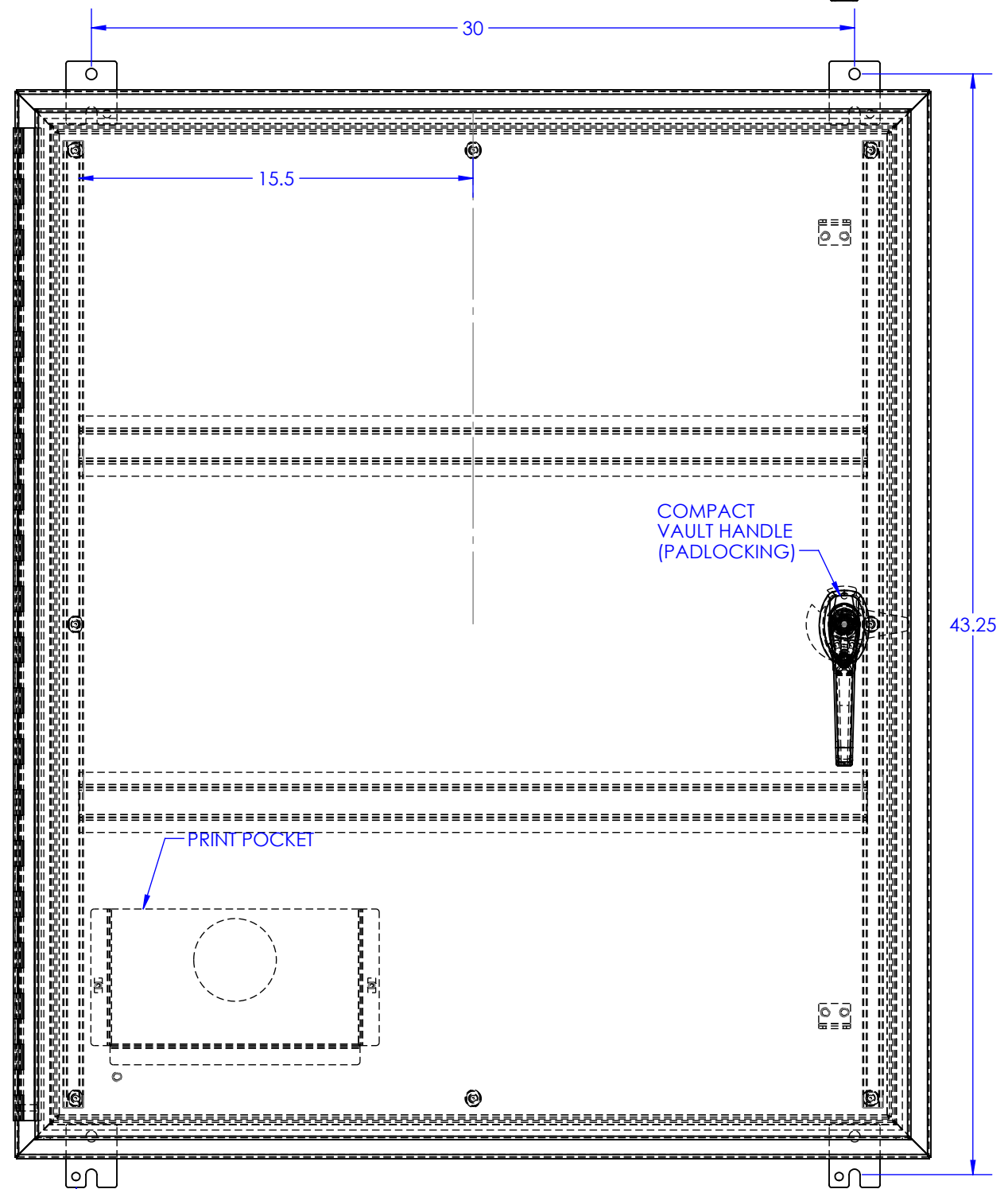
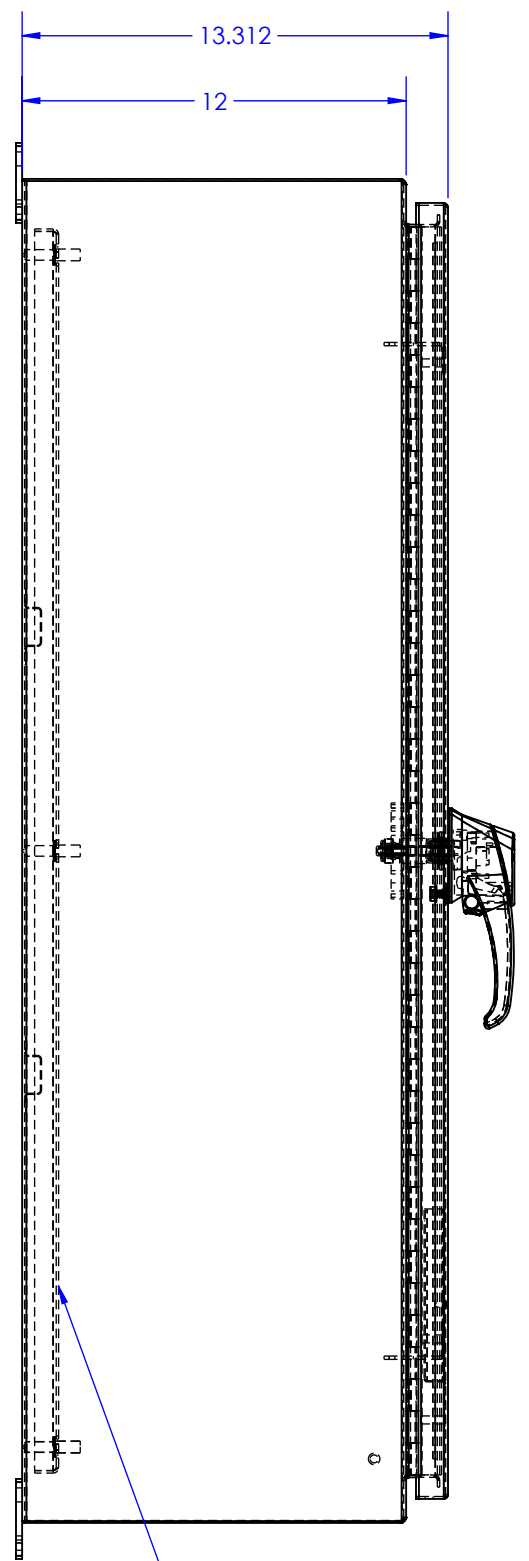
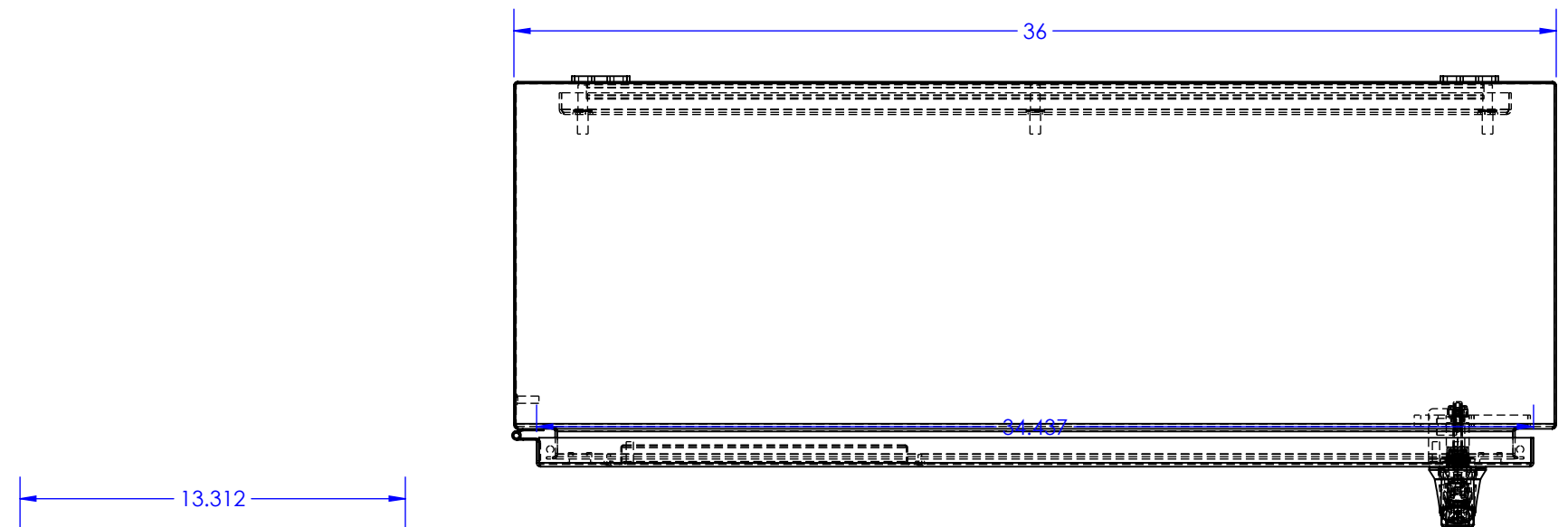


REVISIONS			
REV.	DESCRIPTION	DATE	APPROVED



SECTION C-C

SECTION D-D

PROPRIETARY AND CONFIDENTIAL THE INFORMATION CONTAINED IN THIS DRAWING IS THE SOLE PROPERTY OF RALSTON METAL PRODUCTS. ANY REPRODUCTION IN PART OR AS A WHOLE WITHOUT THE WRITTEN PERMISSION OF RALSTON METAL PRODUCTS IS PROHIBITED.	NAME	DATE	 Ralston Metal Products Limited <small>50 WATSON ROAD, QUELPS, ONTARIO, N1L 1E2 PHONE: (519) 836-2969 TOLL FREE: 1-800-265-7611 FAX: (519) 836-9793</small>
	DRAWN BY: DHANIK DESAI	2023-01-02	
UNLESS OTHERWISE SPECIFIED DIMENSIONS ARE IN INCHES TOLERANCES: FRACTIONAL ± 1/32" ANGULAR MACH ± 1° ONE PLACE DECIMAL ± 0.1" TWO PLACE DECIMAL ± 0.01" THREE PLACE DECIMAL ± 0.005" MATERIAL:	ISSUED BY		CUSTOMER: RALSTON STOCK SHOP DRAWING NUMBER:
	JOB ORDER NO:		
SEE BOM	CUSTOMER DRAWING NO:		SIZE: PART NAME: REV.
FINISH:	 THIRD ANGLE PROJECTION		C N43P-423612 PART NO. N43P-423612 SCALE: 1:6 WEIGHT: 121.391 SHEET 1 OF 1
SEE BOM	DO NOT SCALE DRAWING		