

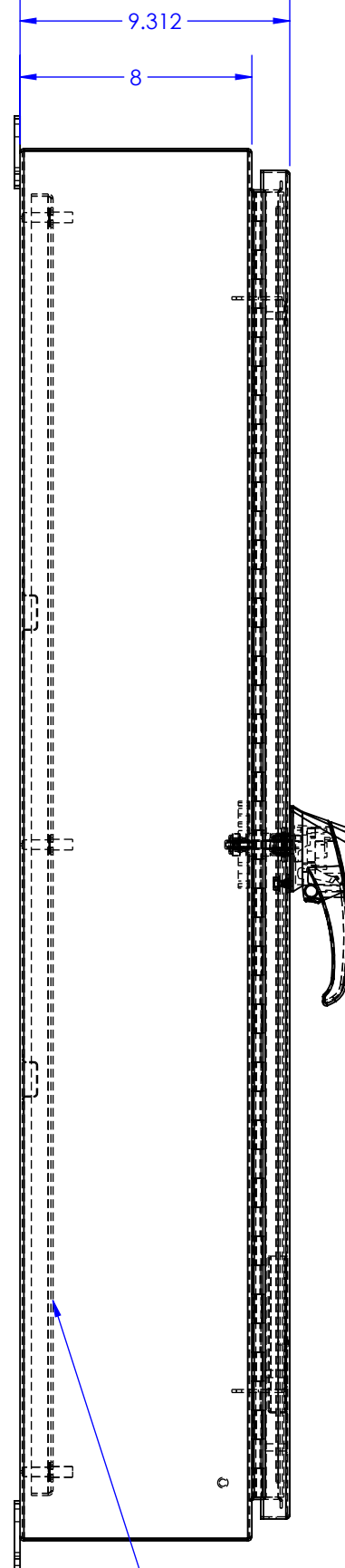
4

3

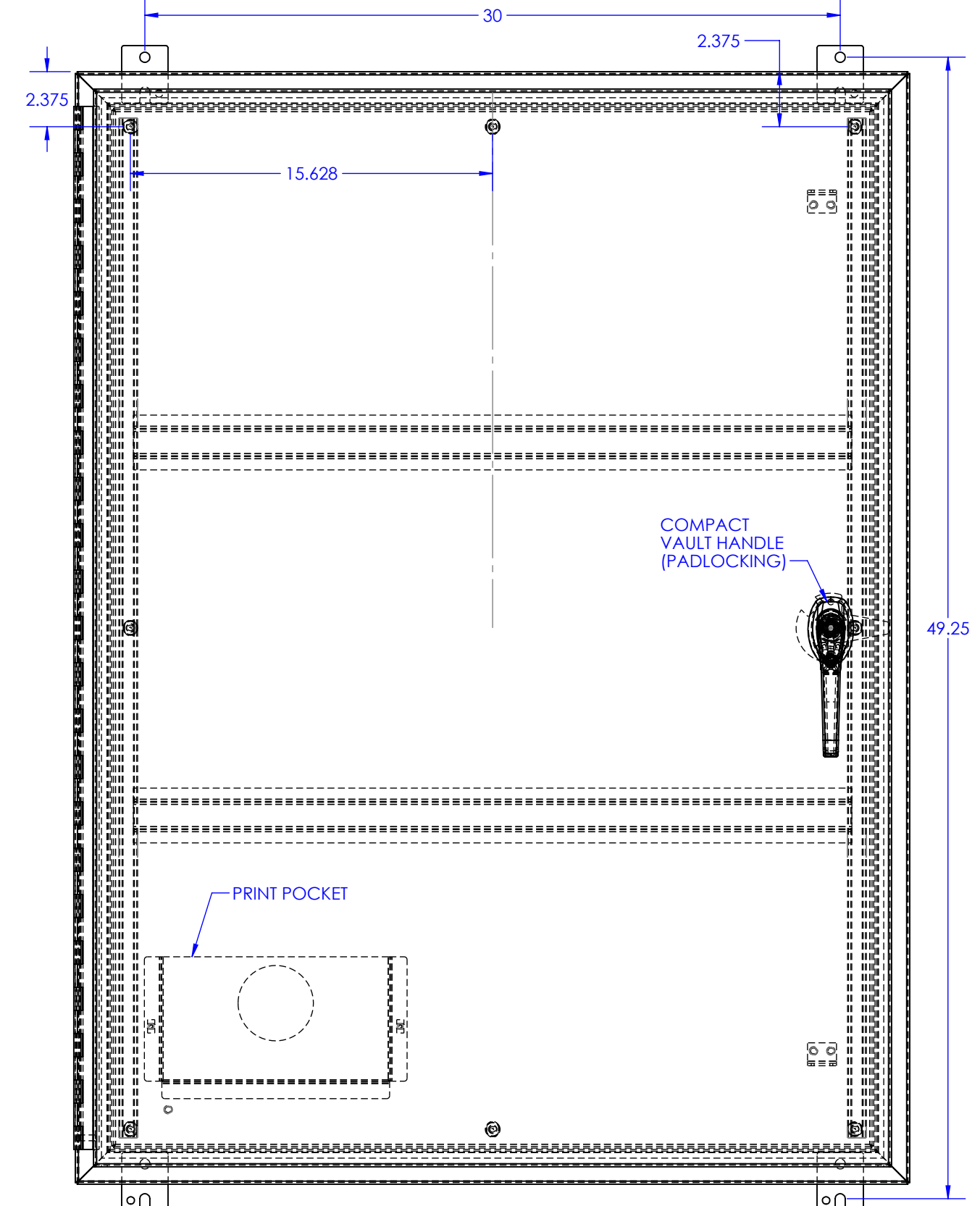
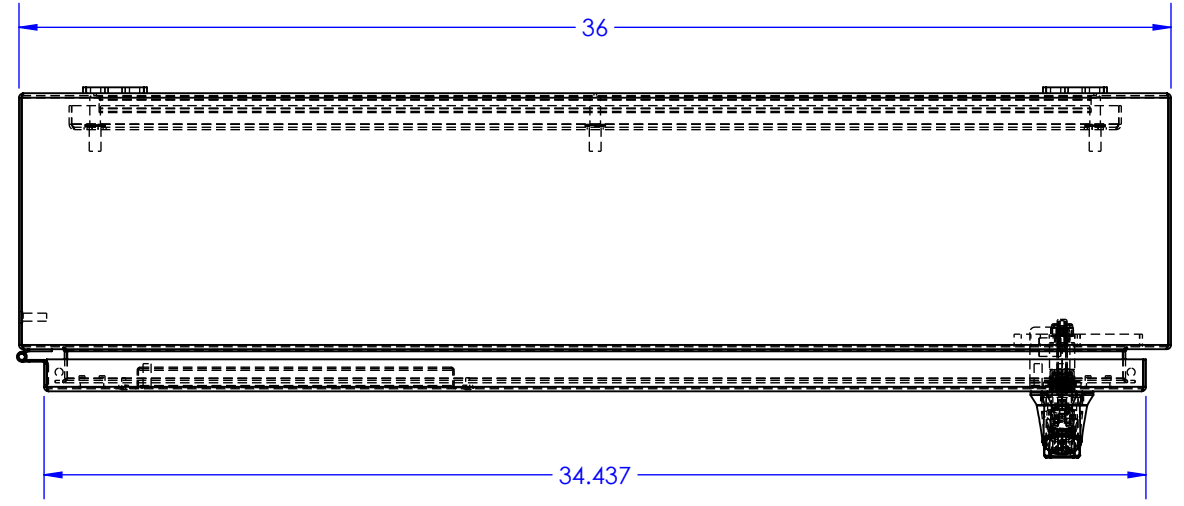
2

1

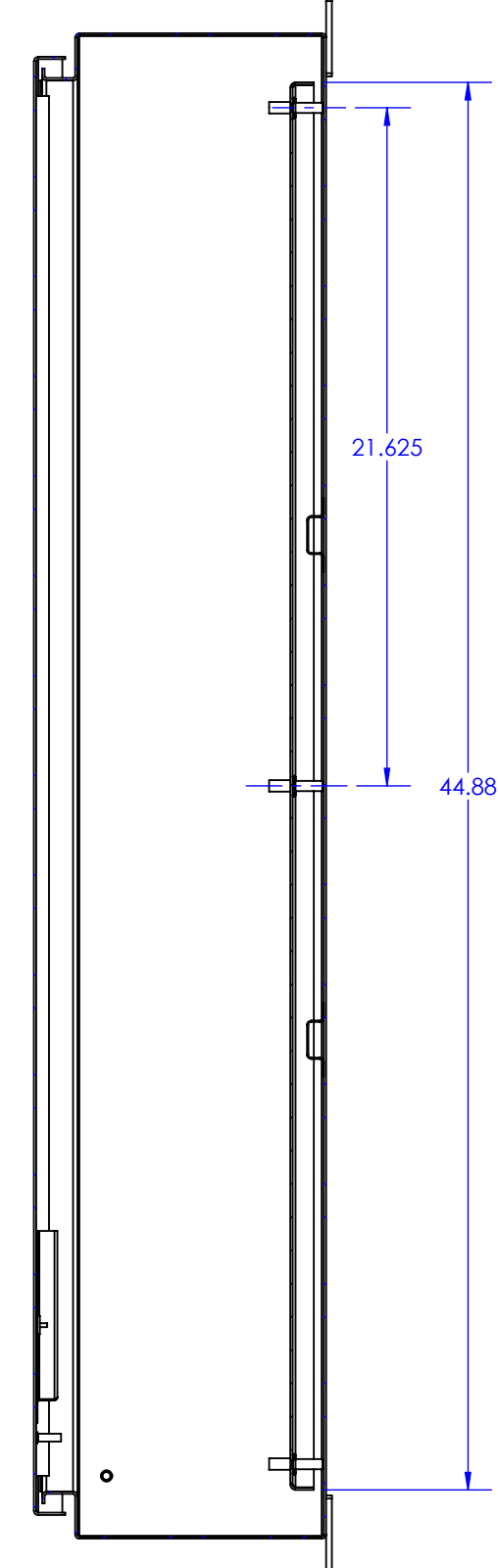
REVISIONS			
REV.	DESCRIPTION	DATE	APPROVED



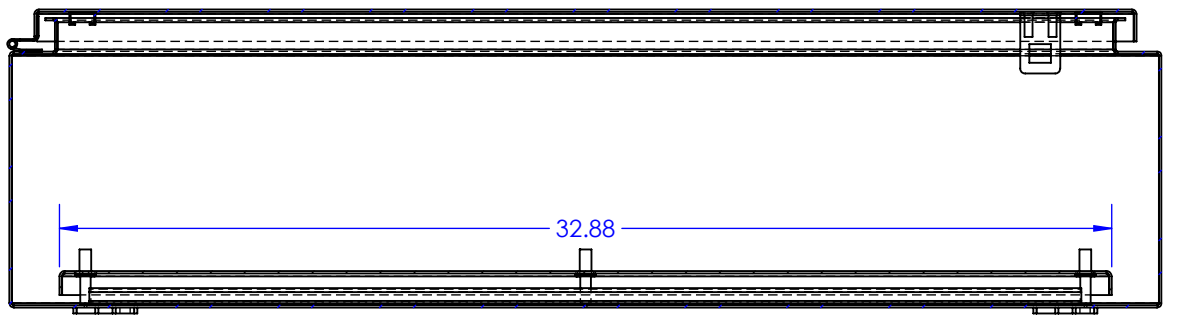
BACK PANEL



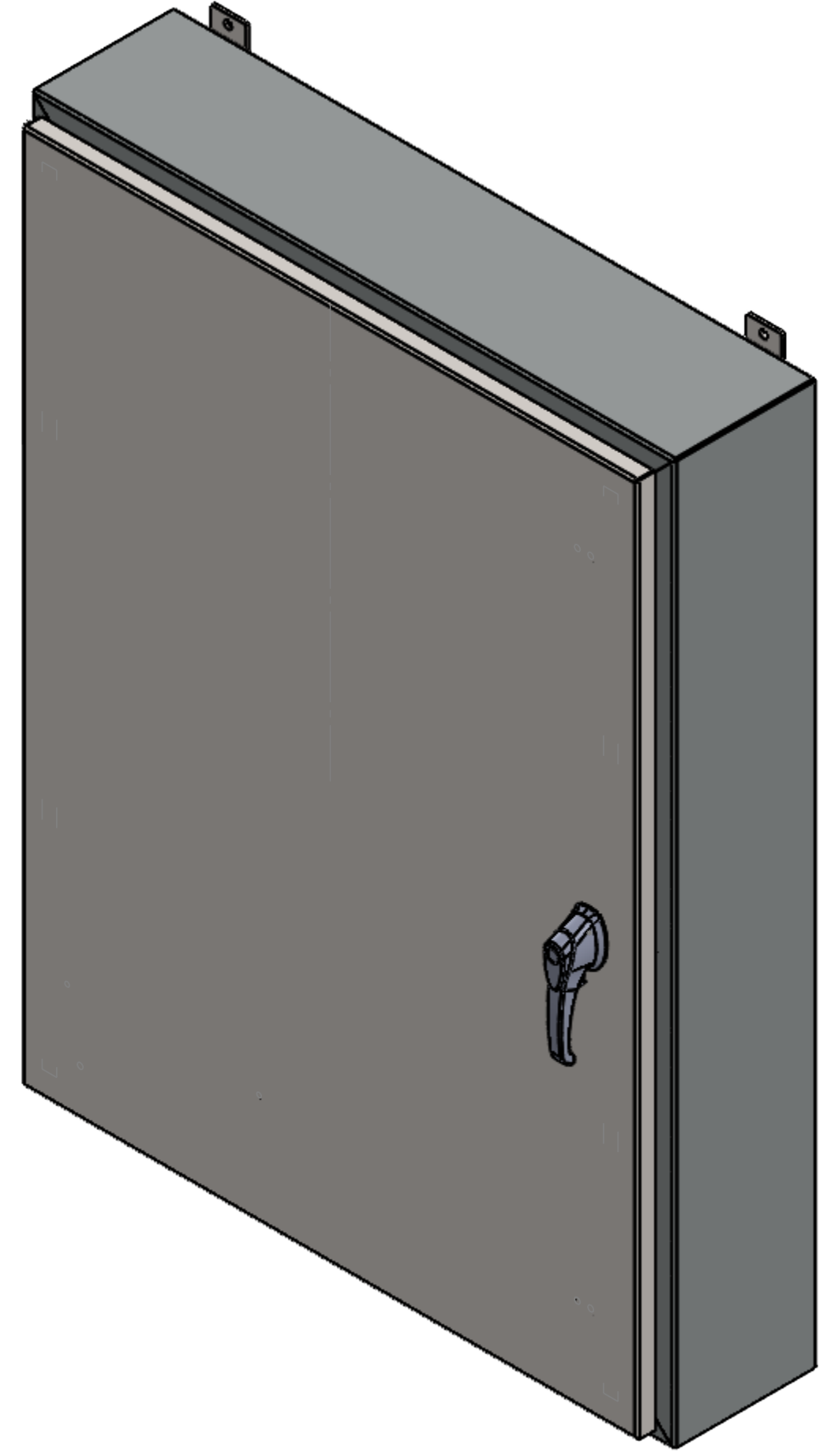
WALL BRACKET



SECTION C-C



SECTION D-D



PROPRIETARY AND CONFIDENTIAL
THE INFORMATION CONTAINED IN THIS DRAWING IS THE SOLE PROPERTY OF RALSTON METAL PRODUCTS. ANY REPRODUCTION IN PART OR AS A WHOLE WITHOUT THE WRITTEN PERMISSION OF RALSTON METAL PRODUCTS IS PROHIBITED.

UNLESS OTHERWISE SPECIFIED
DIMENSIONS ARE IN INCHES
TOLERANCES:
FRACTIONAL ± 1/32"
ANGULAR MATCH 1"
ONE PLACE DECIMAL ± 0.1"
TWO PLACE DECIMAL ± 0.01"
THREE PLACE DECIMAL ± 0.005"

FINISH:
SEE BOM

DO NOT SCALE DRAWING

THIRD ANGLE PROJECTION

NAME: DHANIK DESAI
DATE: 2022-12-20
ISSUED BY:
JOB ORDER NO:
CUSTOMER DRAWING NO:
(AUTHORIZED SIGNATURE IN RED)

80 WATSON ROAD
QUELPS, ONTARIO N7L 1E2
PHONE: (519) 836-2969
TOLL FREE: 1-800-265-7611
FAX: (519) 836-9793
www.RALSTONMETAL.COM

Ralston
Metal Products Limited

CUSTOMER:
RALSTON STOCK
SHOP DRAWING NUMBER:

SIZE: C
PART NAME: N43P-483608
REV: -

PART NO.: N43P-483608
SCALE: 1:6
WEIGHT: 121.211
SHEET 1 OF 1

4

3

2

1

D

D

C

C

B

B

A

A