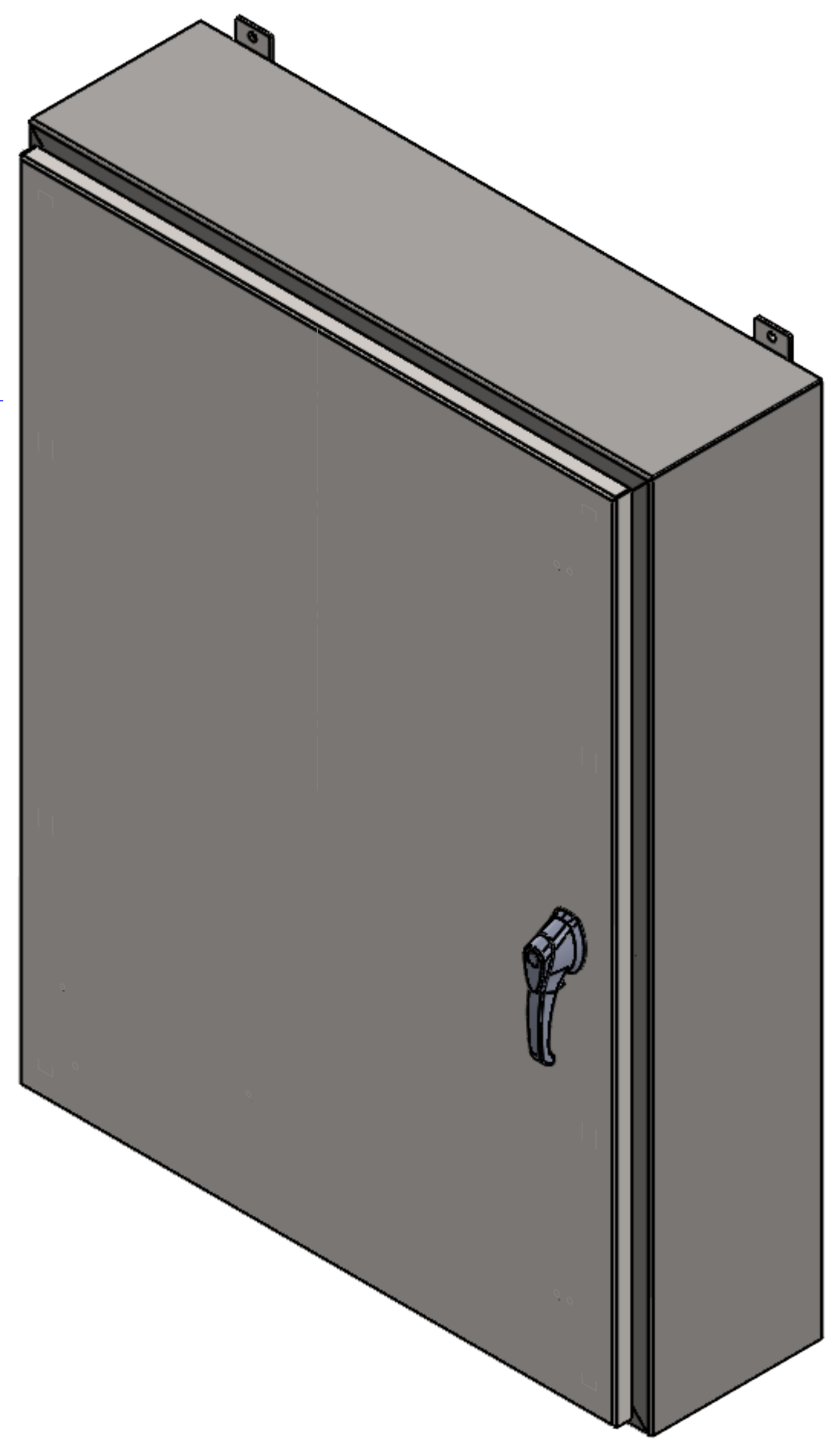
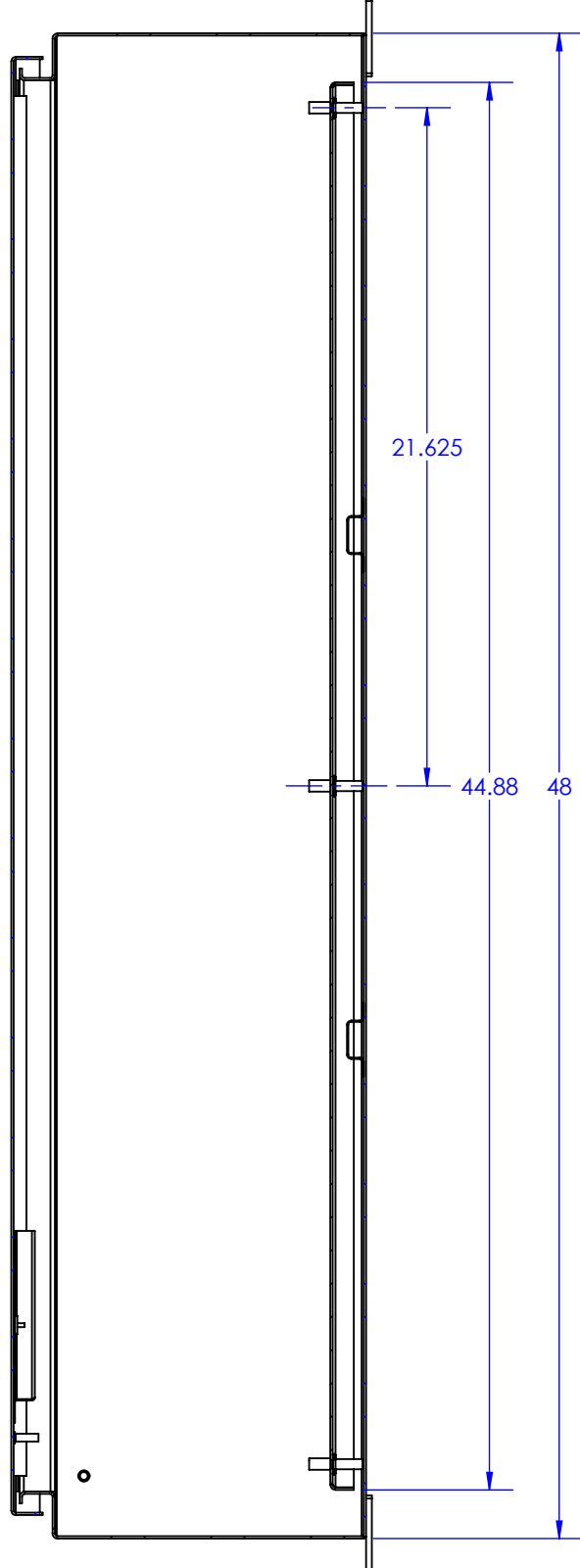
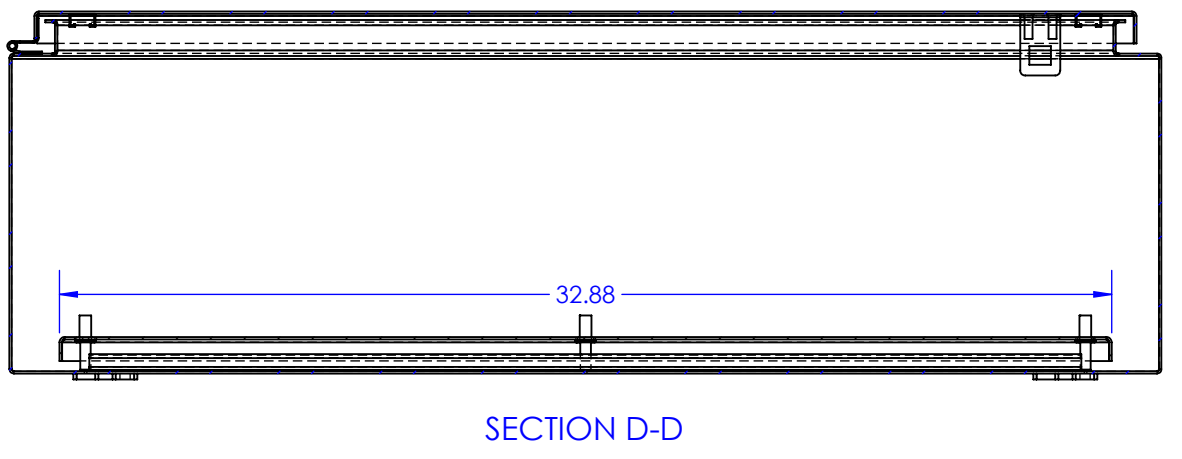
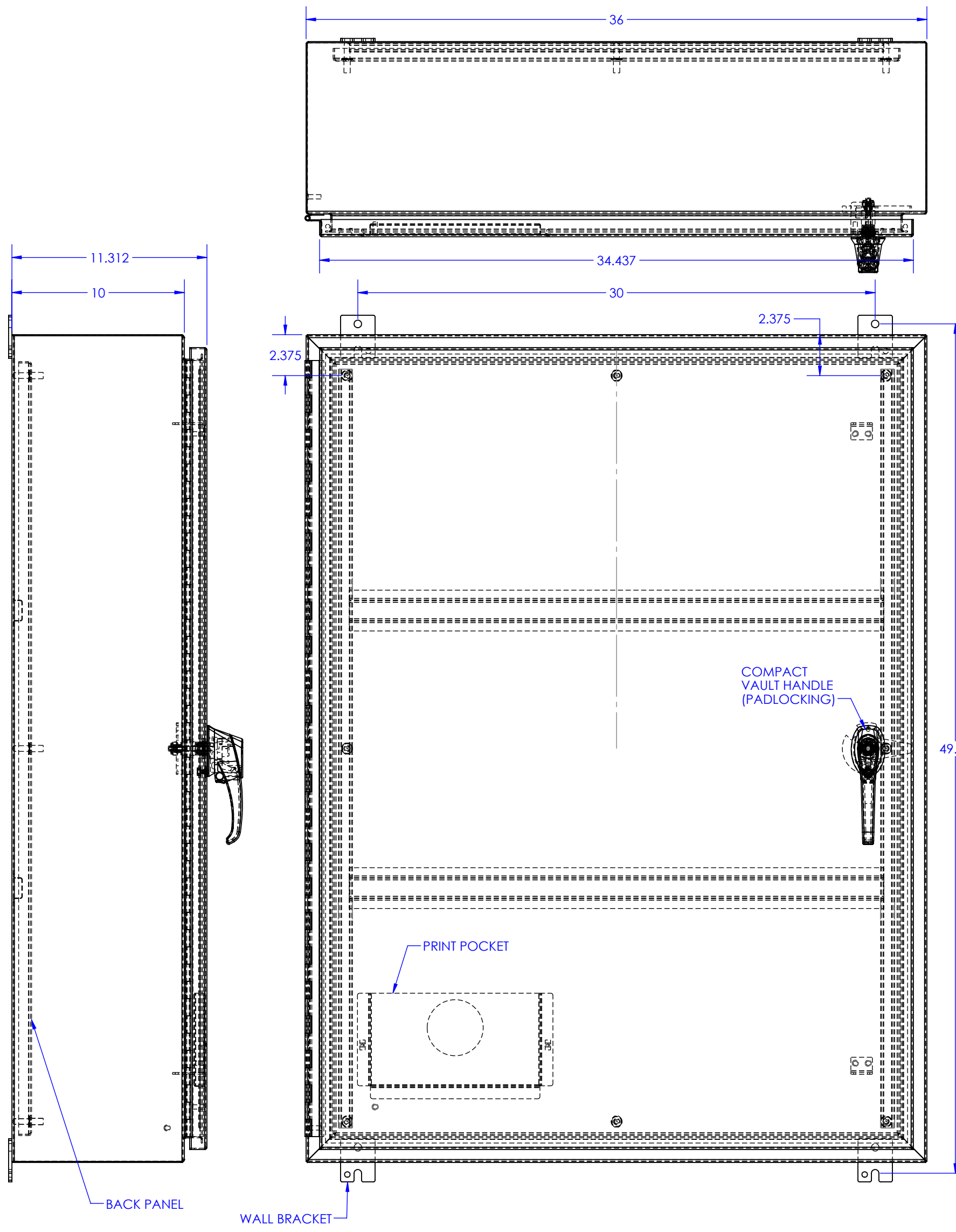


REVISIONS			
REV.	DESCRIPTION	DATE	APPROVED



SECTION C-C

SECTION D-D

PROPRIETARY AND CONFIDENTIAL
 THE INFORMATION CONTAINED IN THIS DRAWING IS THE SOLE PROPERTY OF RALSTON METAL PRODUCTS. ANY REPRODUCTION IN PART OR AS A WHOLE WITHOUT THE WRITTEN PERMISSION OF RALSTON METAL PRODUCTS IS PROHIBITED.

UNLESS OTHERWISE SPECIFIED:
 DIMENSIONS ARE IN INCHES
 TOLERANCES:
 FRACTIONAL ± 1/32"
 ANGULAR ± 0.1°
 ONE PLACE DECIMAL ± 0.1"
 TWO PLACE DECIMAL ± 0.01"
 THREE PLACE DECIMAL ± 0.005"

FINISH:
 SEE BOM

DO NOT SCALE DRAWING

THIRD ANGLE PROJECTION

NAME: DHANIK DESAI
 DATE: 2022-12-20
 ISSUED BY:
 JOB ORDER NO:
 CUSTOMER DRAWING NO:
 (AUTHORIZED SIGNATURE IN RED)

80 WATSON ROAD
 QUELPS, ONTARIO N7L 1E2
 PHONE: (519) 836-2968
 TOLL FREE: 1-800-265-7611
 FAX: (519) 836-9793
Ralston
 Metal Products Limited
 www.RALSTONMETAL.COM

CUSTOMER:
RALSTON STOCK
 SHOP DRAWING NUMBER:

SIZE: C
 PART NAME: N43P-483610
 PART NO.: N43P-483610
 WEIGHT: 128.243
 SCALE: 1:6
 SHEET 1 OF 1