

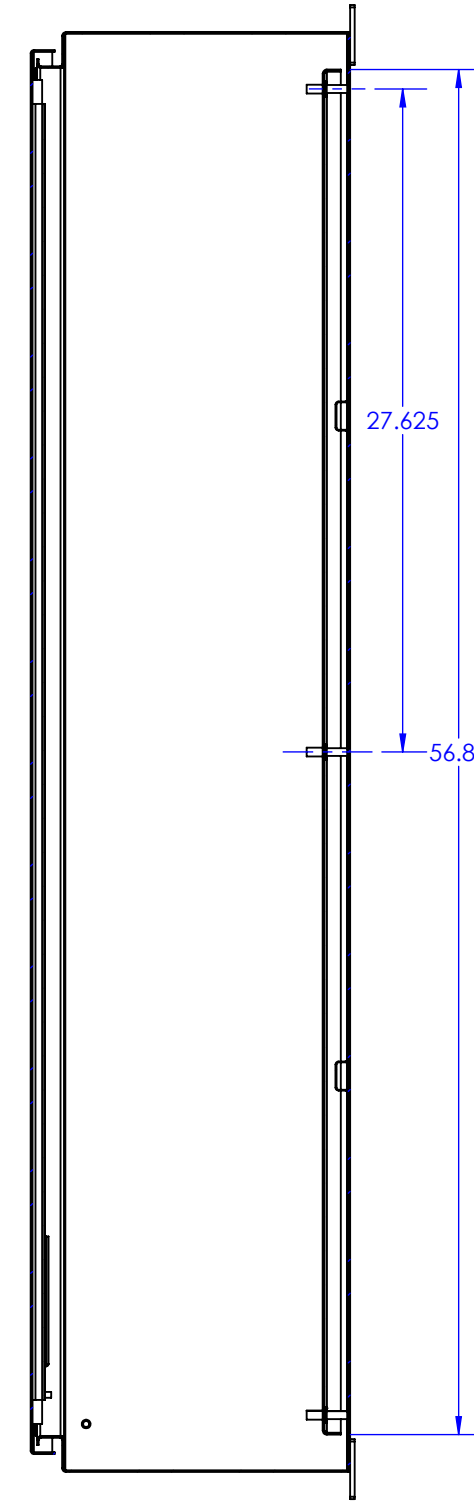
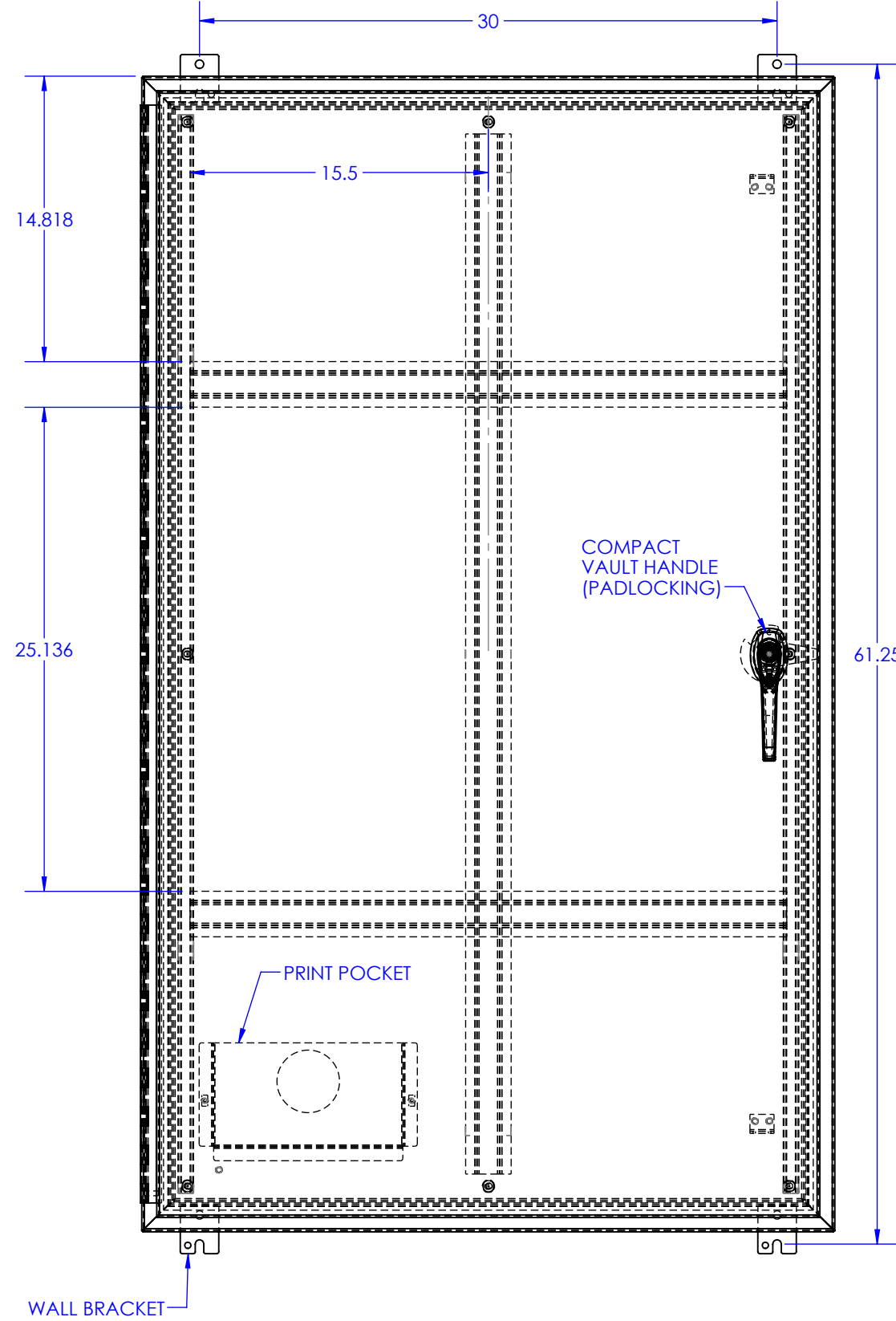
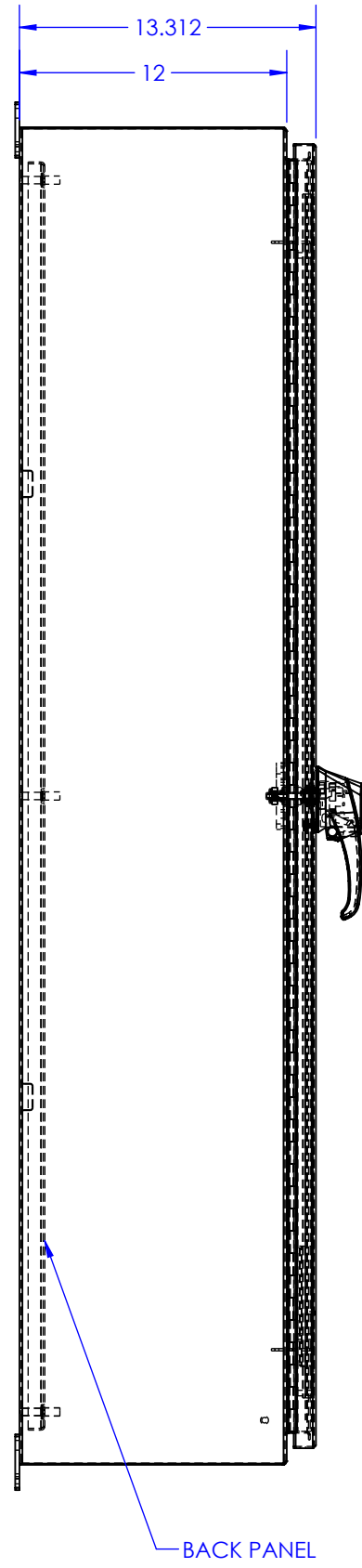
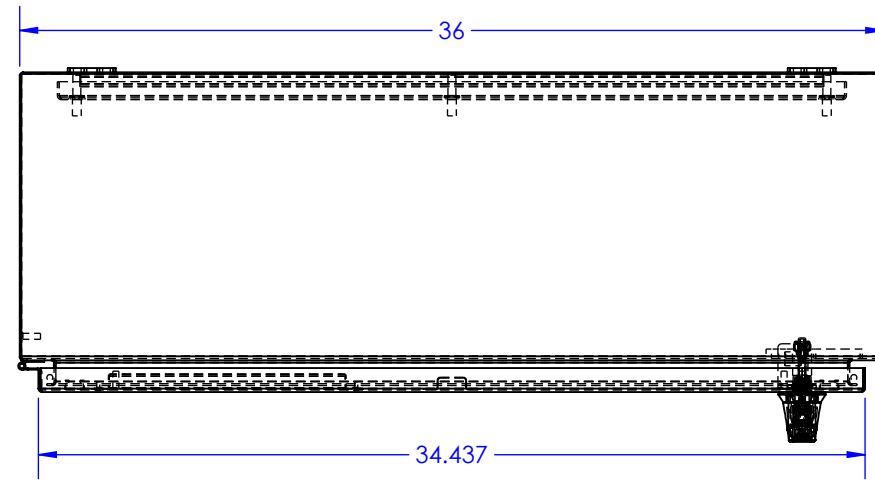
4

3

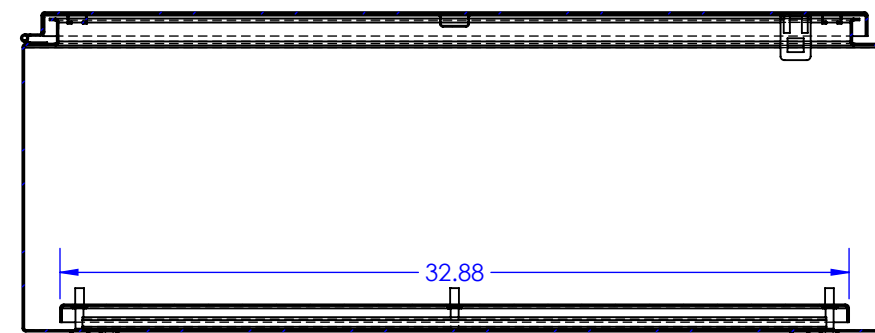
2

1

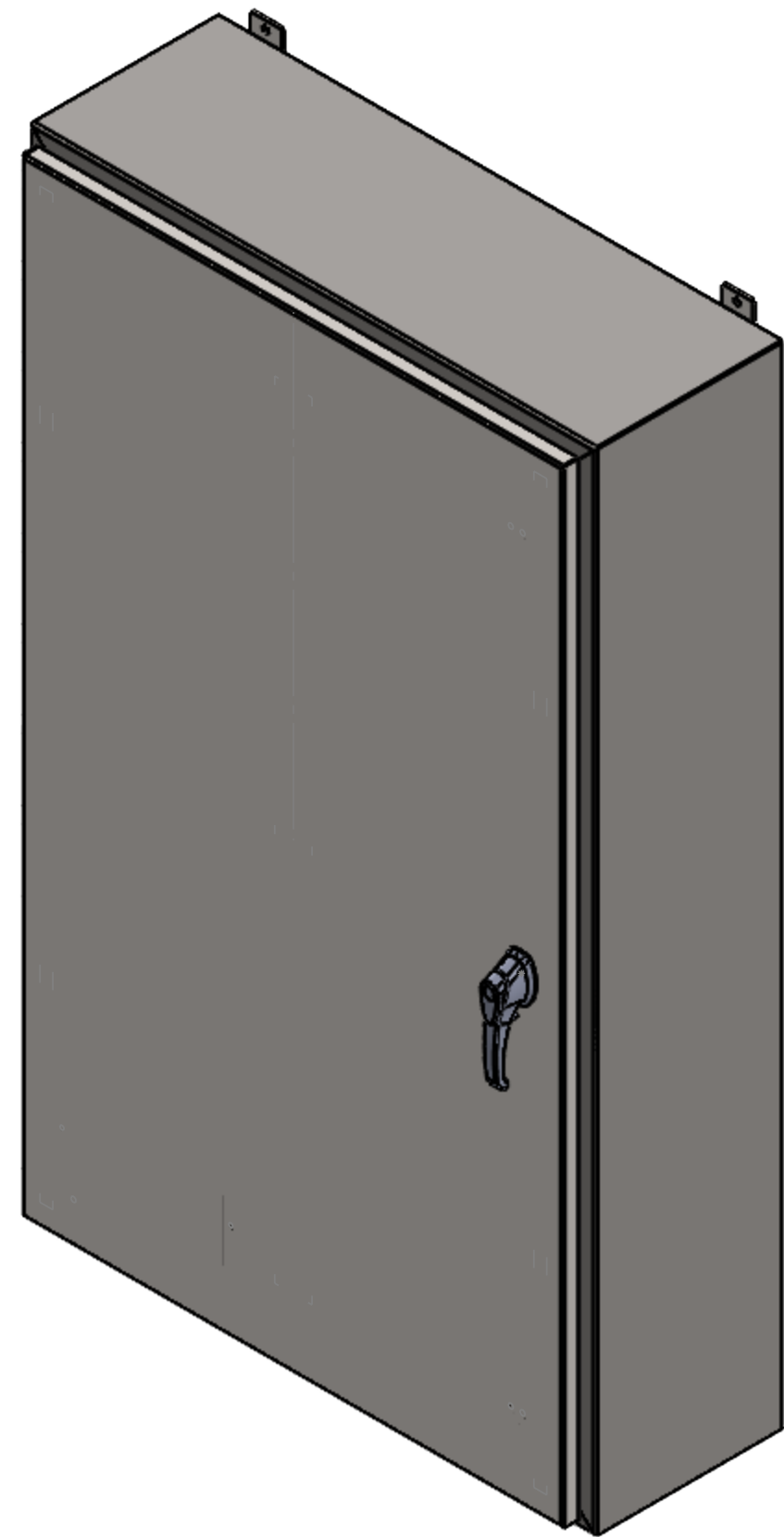
REVISIONS			
REV.	DESCRIPTION	DATE	APPROVED



SECTION C-C



SECTION D-D



PROPRIETARY AND CONFIDENTIAL THE INFORMATION CONTAINED IN THIS DRAWING IS THE SOLE PROPERTY OF RALSTON METAL PRODUCTS. ANY REPRODUCTION IN PART OR AS A WHOLE WITHOUT THE WRITTEN PERMISSION OF RALSTON METAL PRODUCTS IS PROHIBITED.	NAME	DATE	 50 WATSON ROAD QUELPS, ONTARIO N7L 1E2 PHONE: (519) 836-2969 TOLL FREE: 1-800-265-7611 FAX: (519) 836-9793 WWW.RALSTONMETAL.COM
	DRAWN BY: DHANIK DESAI	2023-01-02	
UNLESS OTHERWISE SPECIFIED DIMENSIONS ARE IN INCHES TOLERANCES: FRACTIONAL ± 1/32" ANGULAR MACH 1" ONE PLACE DECIMAL ± 0.1" TWO PLACE DECIMAL ± 0.01" THREE PLACE DECIMAL ± 0.005" MATERIAL:	ISSUED BY: JOB ORDER NO:		CUSTOMER: RALSTON STOCK
SEE BOM FINISH: SEE BOM	CUSTOMER DRAWING NO: (AUTHORIZED SIGNATURE IN RED)		SHOP DRAWING NUMBER: SIZE: PART NAME: REV. C N43P-603612 -
DO NOT SCALE DRAWING	THIRD ANGLE PROJECTION	SCALE: 1:8	WEIGHT: 163.408 SHEET 1 OF 1

4

3

2

1