

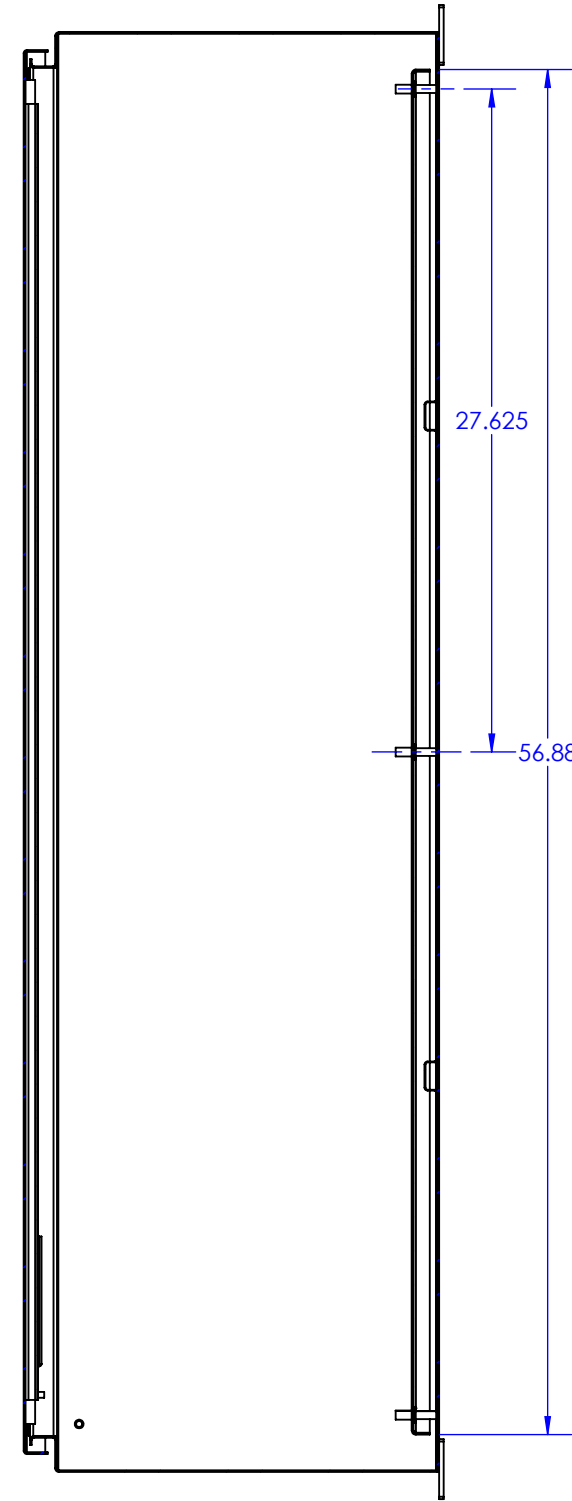
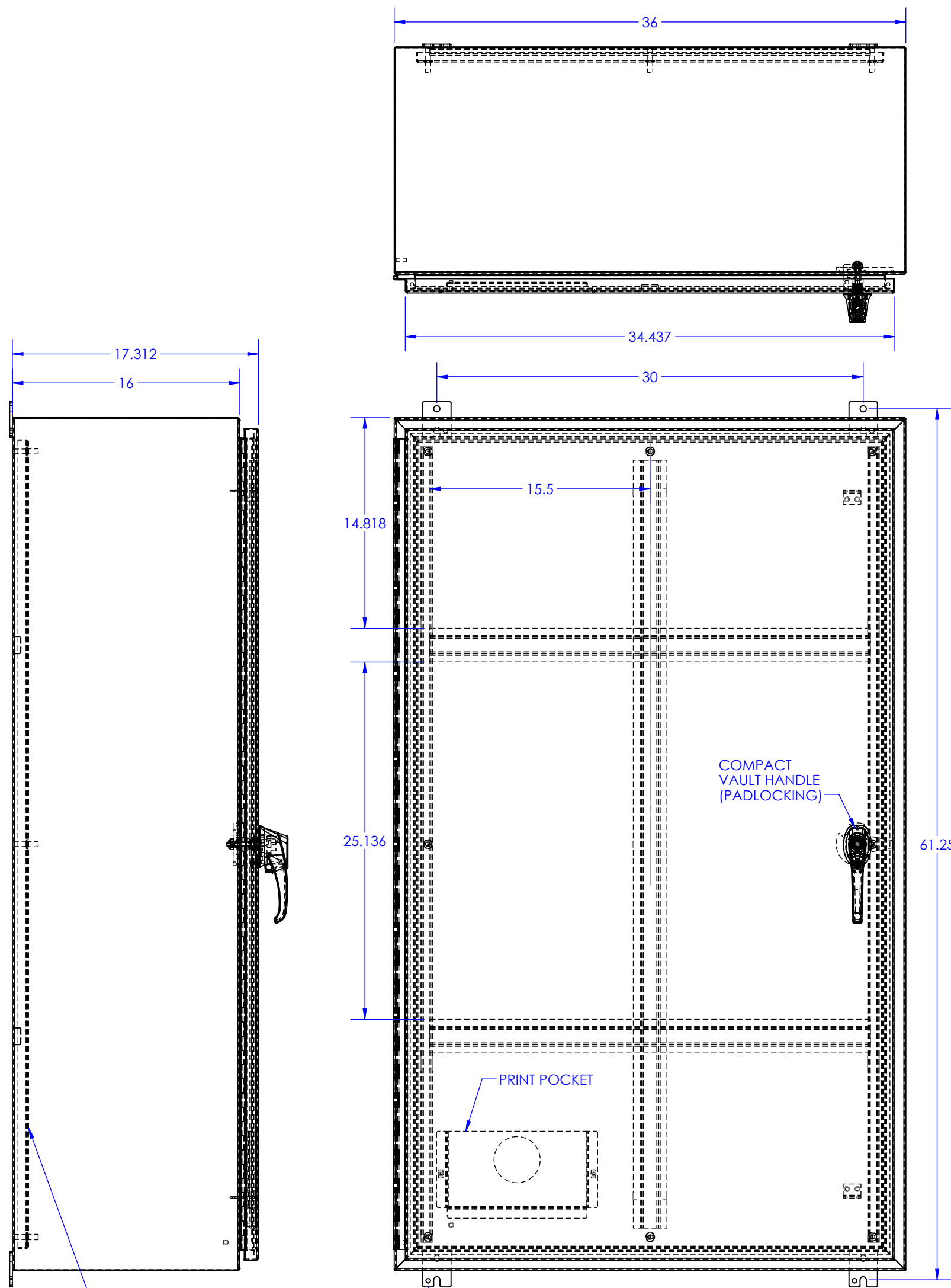
4

3

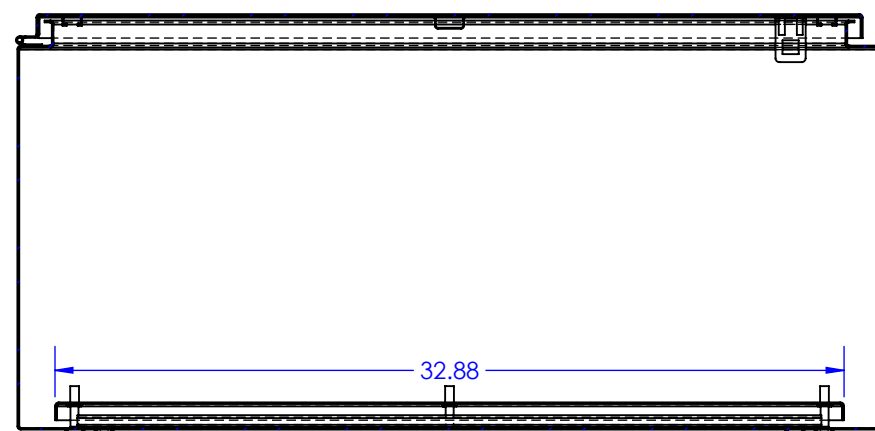
2

1

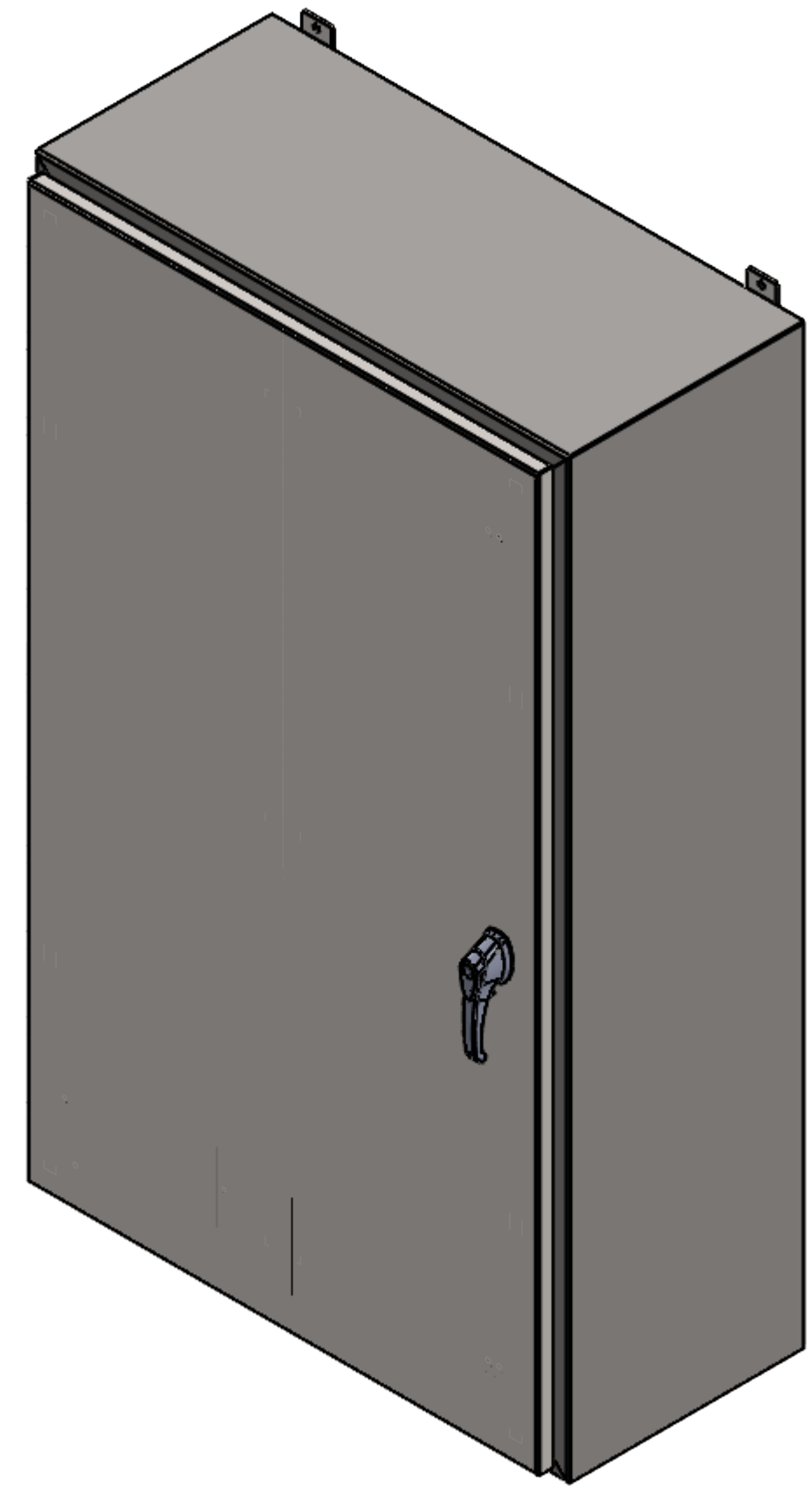
REVISIONS			
REV.	DESCRIPTION	DATE	APPROVED



SECTION C-C



SECTION D-D



PROPRIETARY AND CONFIDENTIAL THE INFORMATION CONTAINED IN THIS DRAWING IS THE SOLE PROPERTY OF RALSTON METAL PRODUCTS. ANY REPRODUCTION IN PART OR AS A WHOLE WITHOUT THE WRITTEN PERMISSION OF RALSTON METAL PRODUCTS IS PROHIBITED.	NAME	DATE	 Ralston Metal Products Limited <small>80 WATSON ROAD QUELPS, ONTARIO N7L 1E2 PHONE: (519) 836-2969 TOLL FREE: 1-800-265-7611 FAX: (519) 836-9793</small>
	DRAWN BY: DHANIK DESAI	2023-01-02	
UNLESS OTHERWISE SPECIFIED DIMENSIONS ARE IN INCHES TOLERANCES: FRACTIONAL ± 1/32" ANGULAR MACH ± 1" ONE PLACE DECIMAL ± 0.1" TWO PLACE DECIMAL ± 0.01" THREE PLACE DECIMAL ± 0.005" MATERIAL:	ISSUED BY:		CUSTOMER: RALSTON STOCK SHOP DRAWING NUMBER:
	JOB ORDER NO:		
SEE BOM	CUSTOMER DRAWING NO:		SIZE: PART NAME: REV.
FINISH: SEE BOM	(AUTHORIZED SIGNATURE IN RED) 		C N43P-603616
DO NOT SCALE DRAWING	THIRD ANGLE PROJECTION	SCALE: 1:8	WEIGHT: 179.597 SHEET 1 OF 1

4

3

2

1