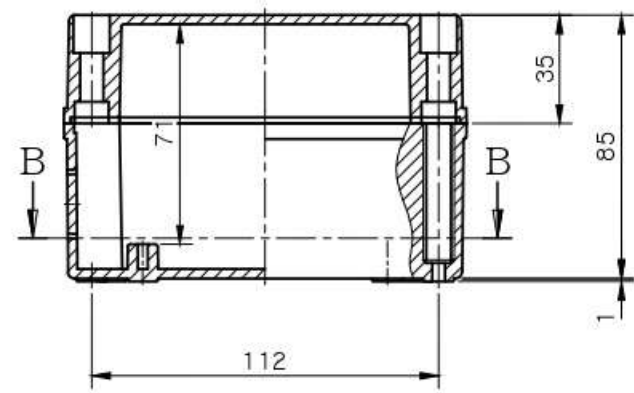
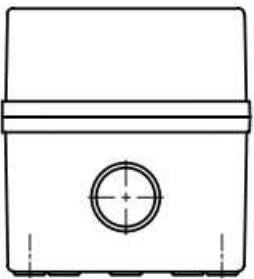
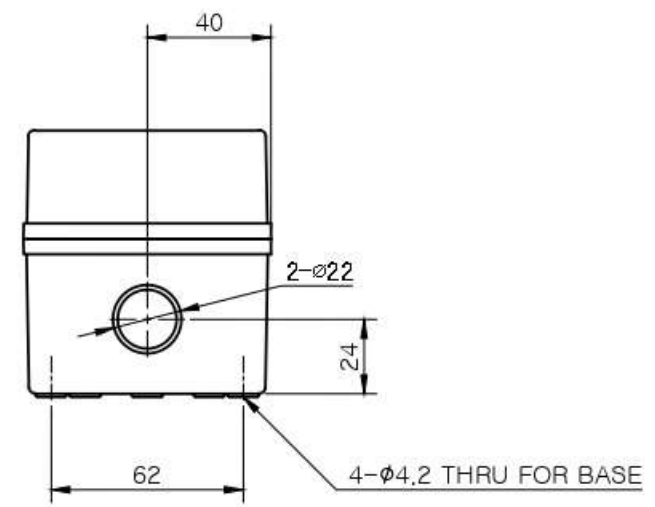


SECTION B-B



SECTION A-A



4- $\phi 4.2$ THRU FOR BASE