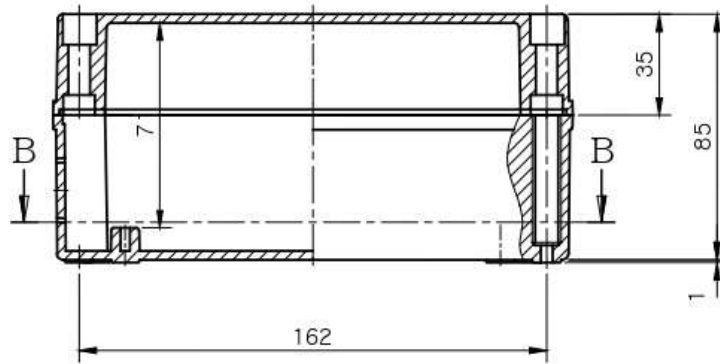
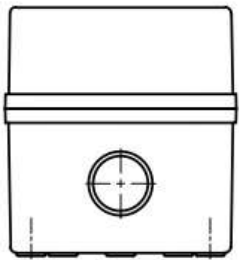
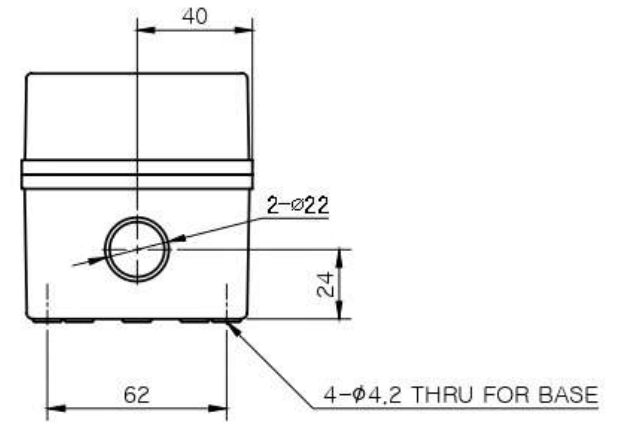


SECTION B-B



SECTION A-A



$4-\phi 4.2$ THRU FOR BASE